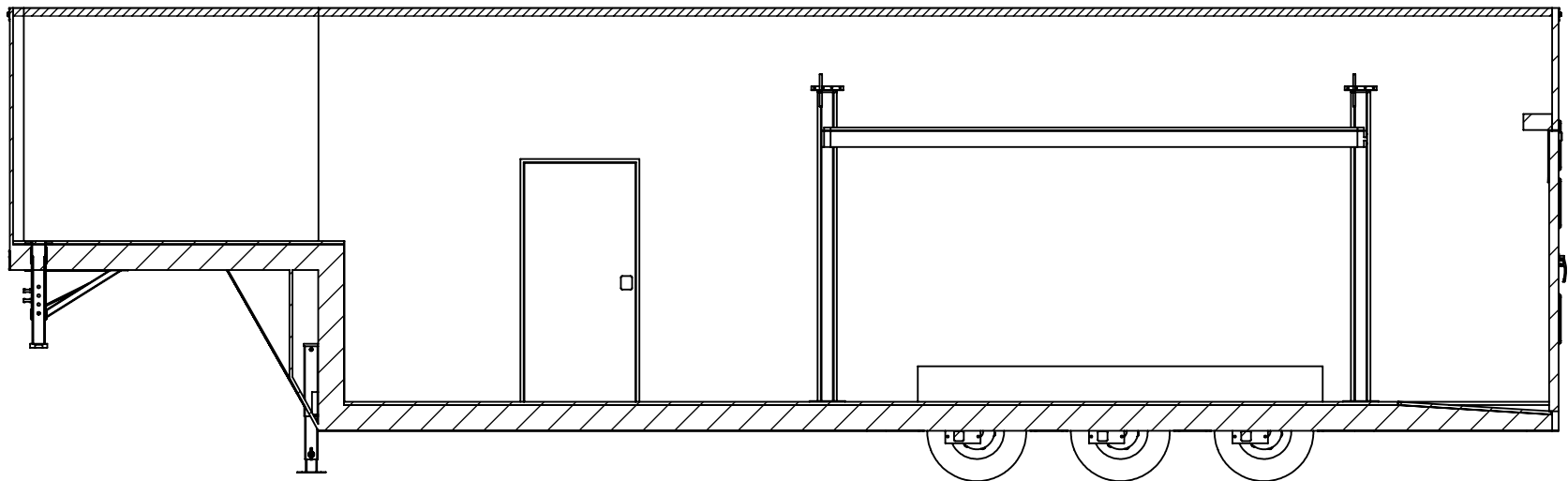


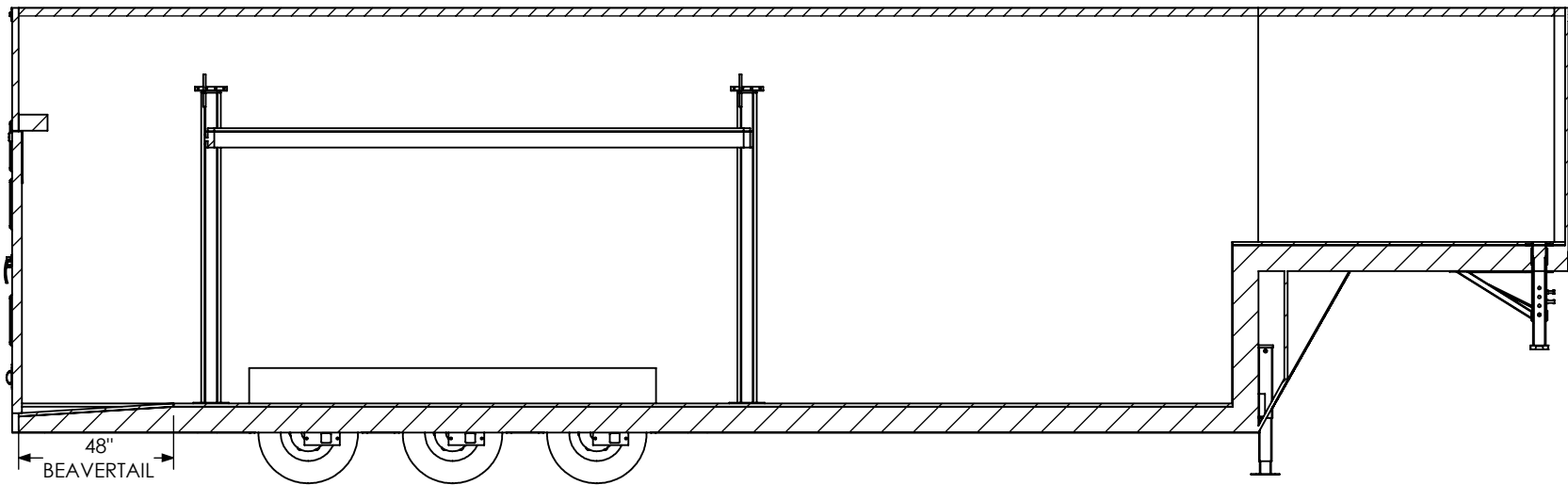
GRID = 12" x 12"

**PROPRIETARY AND CONFIDENTIAL**  
 THE INFORMATION CONTAINED IN THIS DRAWING IS THE  
 SOLE PROPERTY OF INTECH TRAILERS. ANY REPRODUCTION  
 IN PART OR AS A WHOLE WITHOUT THE WRITTEN PERMISSION  
 OF INTECH TRAILERS IS PROHIBITED.

	NAME	DATE	<b><i>inTech Trailers</i></b>  TEMPLATE WBGSA8.5x40TTA FLOORPLAN	
DRAWN	NJM	8/6/21		
CHECKED				
ENG APPR.				
ALL DIMENSIONS ARE IN INCHES AND ARE NOMINAL. DIMENSIONS ON ACTUAL TRAILER MAY VARY FROM WHAT IS SHOWN ON PRINT BASED ON ACTUAL FRAMING AND TRAILER STRUCTURE. UNLESS NOTED AS CRITICAL			DWG. NO. WBGSA8.5 TTA Trailer Assembly	REV. A
			SCALE: 1:54	SHEET 1 OF 4



INTERIOR CURB SIDE

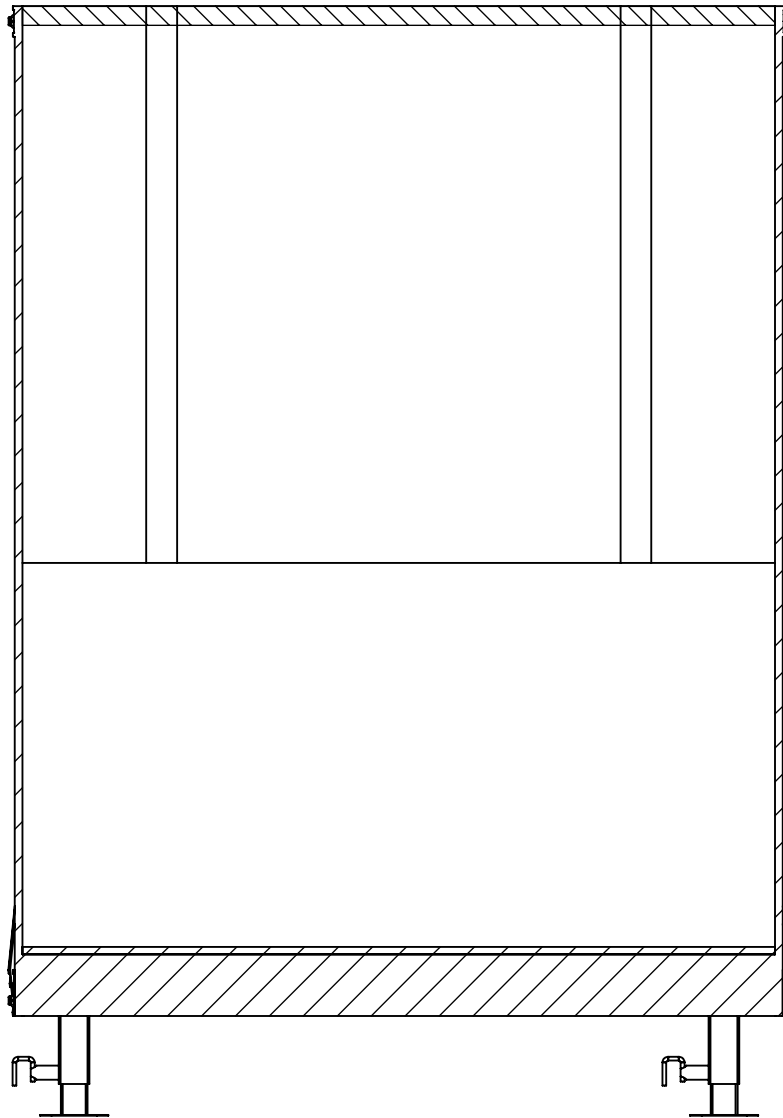


INTERIOR ROAD SIDE

STANDARD:  
 - INTERIOR HEIGHT - 120"  
 - ENTRANCE DOOR - 36"

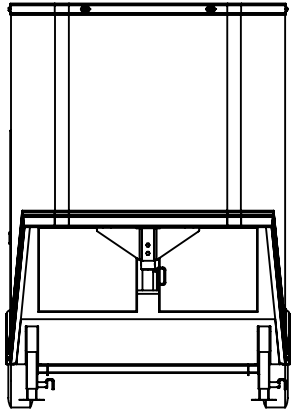
**PROPRIETARY AND CONFIDENTIAL**  
 THE INFORMATION CONTAINED IN THIS DRAWING IS THE SOLE PROPERTY OF INTECH TRAILERS. ANY REPRODUCTION IN PART OR AS A WHOLE WITHOUT THE WRITTEN PERMISSION OF INTECH TRAILERS IS PROHIBITED.

	NAME	DATE	<b>inTech Trailers</b>  TEMPLATE WBGSA8.5x40TTA INTERIOR SIDES	
DRAWN	NJM	8/6/21		
CHECKED				
ENG APPR.				
ALL DIMENSIONS ARE IN INCHES AND ARE NOMINAL. DIMENSIONS ON ACTUAL TRAILER MAY VARY FROM WHAT IS SHOWN ON PRINT BASED ON ACTUAL FRAMING AND TRAILER STRUCTURE. UNLESS NOTED AS CRITICAL.			DWG. NO. WBGSA8.5 TTA Trailer Assembly	REV. A
			SCALE: 1:56	SHEET 2 OF 4

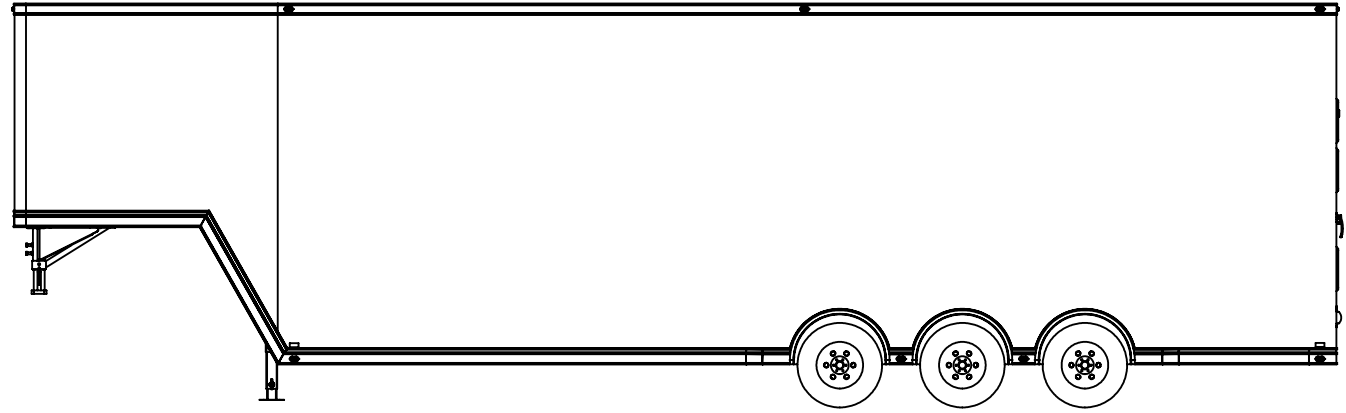


INTERIOR FRONT

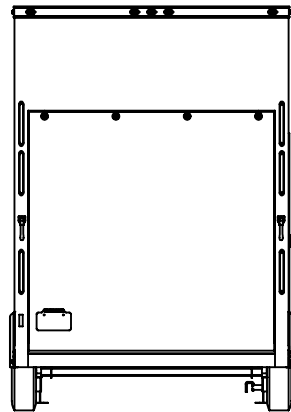
	NAME	DATE	<b><i>inTech Trailers</i></b>  TEMPLATE WBGSA8.5x40TTA INTERIOR FRONT	
DRAWN	NJM	8/6/21		
CHECKED				
ENG APPR.				
ALL DIMENSIONS ARE IN INCHES AND ARE NOMINAL. DIMENSIONS ON ACTUAL TRAILER MAY VARY FROM WHAT IS SHOWN ON PRINT BASED ON ACTUAL FRAMING AND TRAILER STRUCTURE. UNLESS NOTED AS CRITICAL			DWG. NO. WBGSA8.5 TTA Trailer Assembly	
PROPRIETARY AND CONFIDENTIAL THE INFORMATION CONTAINED IN THIS DRAWING IS THE SOLE PROPERTY OF INTECH TRAILERS. ANY REPRODUCTION IN PART OR AS A WHOLE WITHOUT THE WRITTEN PERMISSION OF INTECH TRAILERS IS PROHIBITED.			REV. A	
			SCALE: 1:25	SHEET 3 OF 4



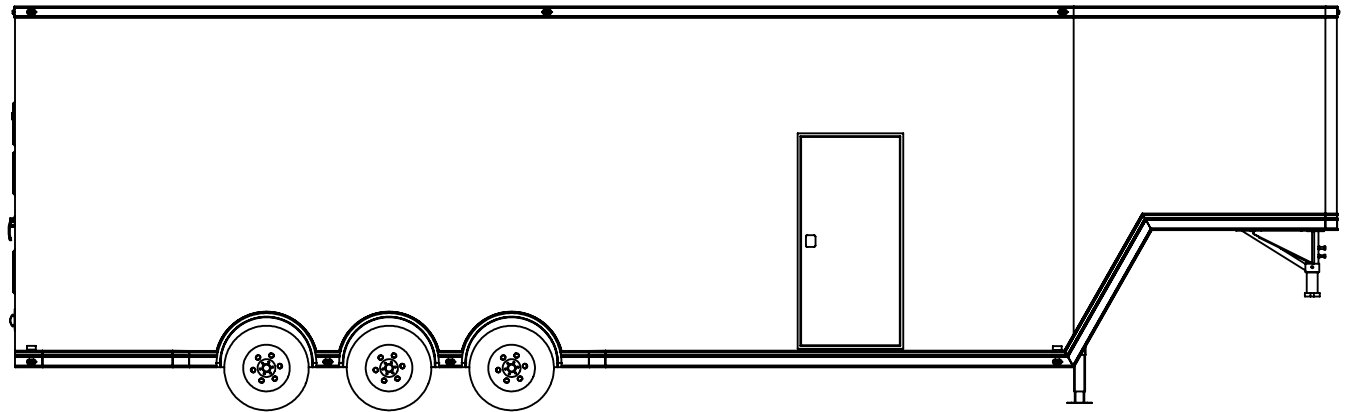
EXTERIOR FRONT



EXTERIOR ROAD SIDE



EXTERIOR REAR  
RAMP DOOR STANDARD SIZE 90"W x 84"H



EXTERIOR CURB SIDE

	NAME	DATE	<b>inTech Trailers</b>  TEMPLATE WBGSA8.5x40TTA EXTERIOR SIDES		
DRAWN	NJM	8/6/21			
CHECKED					
ENG APPR.					
<small>ALL DIMENSIONS ARE IN INCHES AND ARE NOMINAL. DIMENSIONS ON ACTUAL TRAILER MAY VARY FROM WHAT IS SHOWN ON PRINT BASED ON ACTUAL FRAMING AND TRAILER STRUCTURE. UNLESS NOTED AS CRITICAL</small>			DWG. NO.	REV.	
			WBGSA8.5 TTA Trailer Assembly		A
			SCALE: 1:70	SHEET 4 OF 4	

**PROPRIETARY AND CONFIDENTIAL**  
THE INFORMATION CONTAINED IN THIS DRAWING IS THE SOLE PROPERTY OF INTECH TRAILERS. ANY REPRODUCTION IN PART OR AS A WHOLE WITHOUT THE WRITTEN PERMISSION OF INTECH TRAILERS IS PROHIBITED.