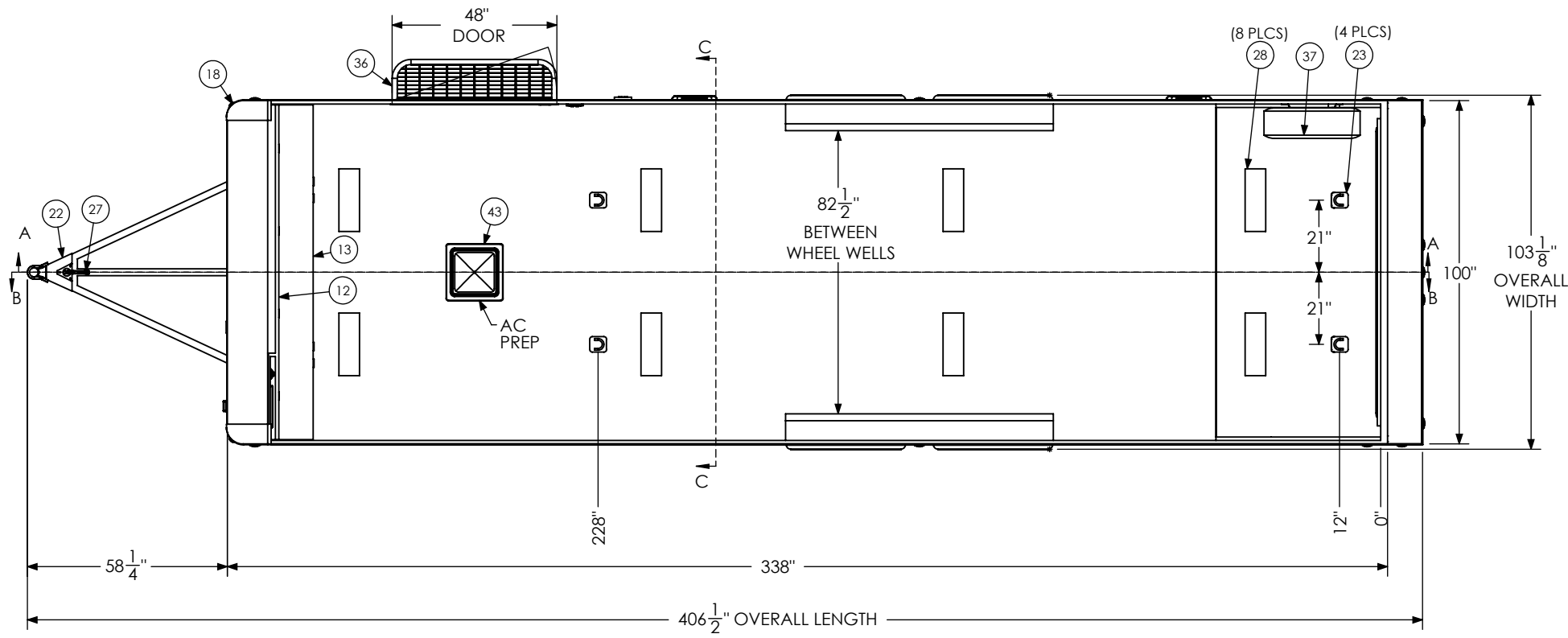


ITEM NO.	DESCRIPTION	NOTES	QTY.
1	Axle, Dexter	5200#, 10 UP, 94HF, 78AB	2
12	BTL Cabinet, Overhead		1
13	BTL Cabinet, Straight Base		1
14	Bar Lock -		2
15	Battery Box		1
16	Battery Vent		1
17	Bumpers	1"	1
18	Cast Corners		1
19	Caster Wheel		2
22	Coupler	2 5/16" Ball, 14,000#	1
23	D-Ring	5,000	4
24	Door, Entrance	48" x 78" RHS	1
27	Jack - Top Wind		1
28	Light	18" 12v LED	8
29	Load Center	30 Amp L/C - 60 Amp Conv	1
30	Loading Light - LED	13.7" 12V Loading Light	2
31	Motorbase Plug	30 Amp	1
32	Outlet	120V 20 Amp	4
33	Ramp Extension	16" Transition Flap	1
36	Slide Out Step	48" Wide	1
37	Spare Tire Assembly		1
38	Spring Assist		1
39	Switch	12v Cutoff	1
40	Switch	2 - 12V Switches	1
42	Tire	ST225/75R15	4
43	Vent, Roof		1

SCALE: 1:54	NAME	DATE	inTech Trailers		
DRAWN	NjM	1/4/23			inTech BTL8.5x28TA3 - STANDARD BOM
<small>ALL DIMENSIONS ARE IN INCHES AND ARE NOMINAL. DIMENSIONS ON ACTUAL TRAILER MAY VARY FROM WHAT IS SHOWN ON PRINT BASED ON ACTUAL FRAMING AND TRAILER STRUCTURE. UNLESS NOTED AS CRITICAL</small>			DWG. NO.	SHEET 1 OF 5	REV.
			BTL8.5x28TA3 Trailer Assembly - Standard	G	

PROPRIETARY AND CONFIDENTIAL
 THE INFORMATION CONTAINED IN THIS DRAWING IS THE SOLE PROPERTY OF INTECH TRAILERS. ANY REPRODUCTION IN PART OR AS A WHOLE WITHOUT THE WRITTEN PERMISSION OF INTECH TRAILERS IS PROHIBITED.

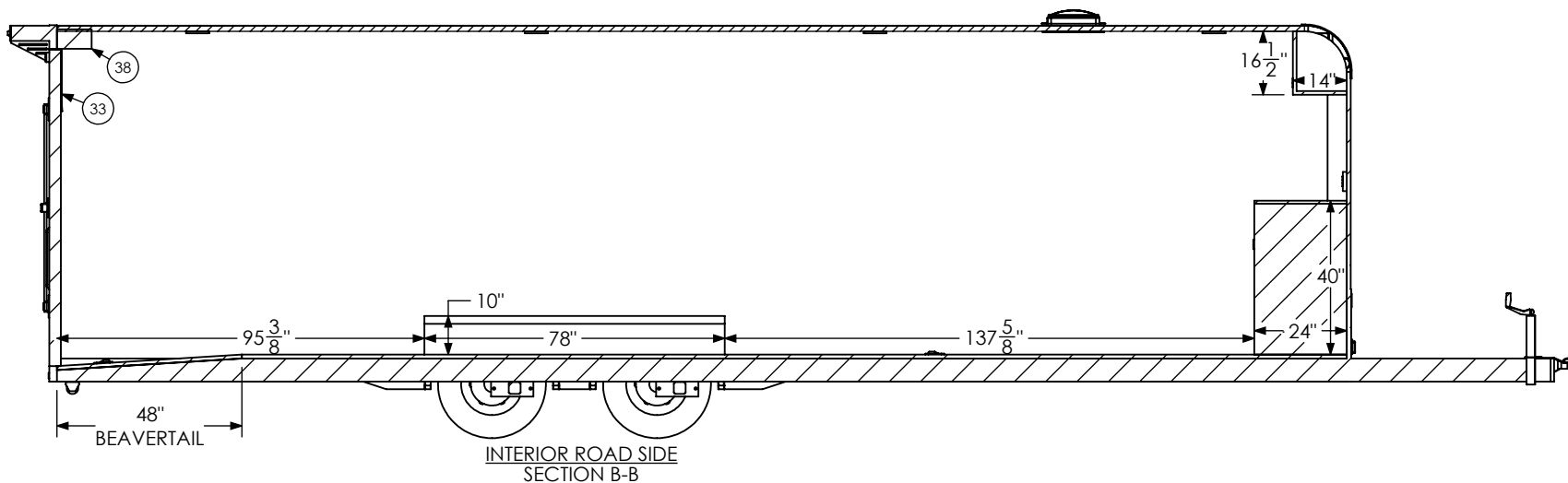
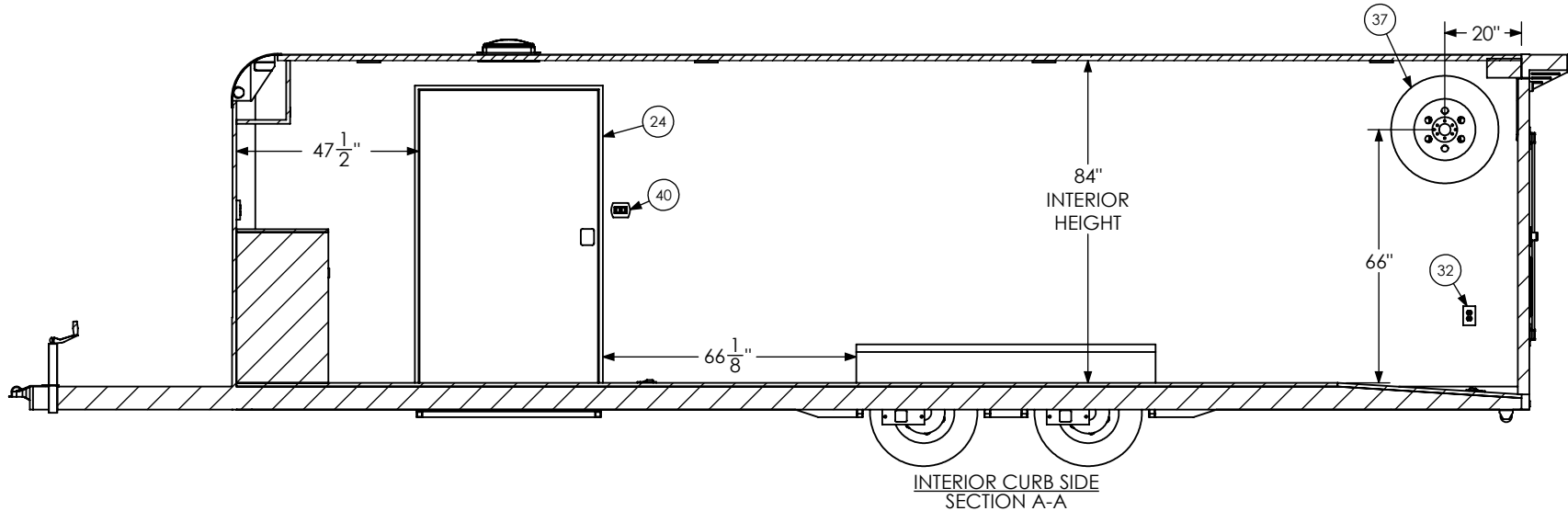


PROPRIETARY AND CONFIDENTIAL
 THE INFORMATION CONTAINED IN THIS DRAWING IS THE SOLE PROPERTY OF INTECH TRAILERS. ANY REPRODUCTION IN PART OR AS A WHOLE WITHOUT THE WRITTEN PERMISSION OF INTECH TRAILERS IS PROHIBITED.

SCALE: 1:45	NAME	DATE
DRAWN	NjM	1/4/23

ALL DIMENSIONS ARE IN INCHES AND ARE NOMINAL. DIMENSIONS ON ACTUAL TRAILER MAY VARY FROM WHAT IS SHOWN ON PRINT BASED ON ACTUAL FRAMING AND TRAILER STRUCTURE. UNLESS NOTED AS CRITICAL

<i>inTech Trailers</i>		
inTech BTL8.5x28TA3 - STANDARD FLOORPLAN		
DWG. NO. BTL8.5x28TA3 Trailer Assembly - Standard	SHEET 2 OF 5	REV. G

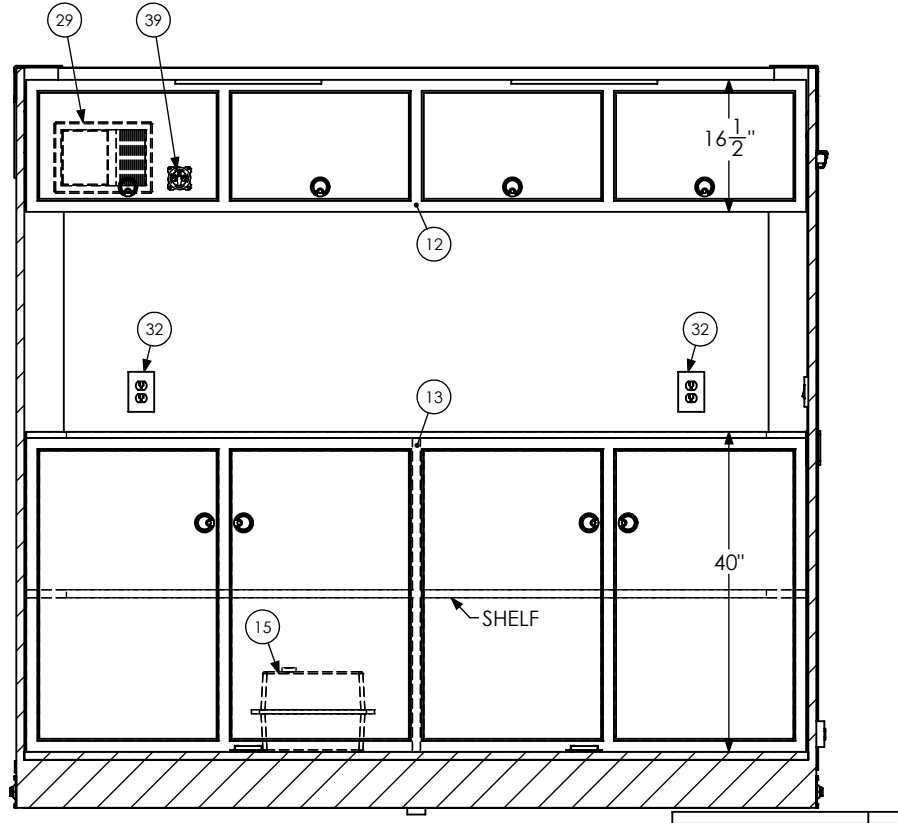


PROPRIETARY AND CONFIDENTIAL
 THE INFORMATION CONTAINED IN THIS DRAWING IS THE SOLE PROPERTY OF INTECH TRAILERS. ANY REPRODUCTION IN PART OR AS A WHOLE WITHOUT THE WRITTEN PERMISSION OF INTECH TRAILERS IS PROHIBITED.

SCALE: 1:46	NAME	DATE
DRAWN	NjM	1/4/23
ALL DIMENSIONS ARE IN INCHES AND ARE NOMINAL. DIMENSIONS ON ACTUAL TRAILER MAY VARY FROM WHAT IS SHOWN ON PRINT BASED ON ACTUAL FRAMING AND TRAILER STRUCTURE. UNLESS NOTED AS CRITICAL		

<i>inTech Trailers</i>		
inTech		
BTL8.5x28TA3 - STANDARD INTERIOR SIDES		
DWG. NO.	SHEET 3 OF 5	REV.
BTL8.5x28TA3 Trailer Assembly - Standard		G

ELECTRICAL
COMPONENTS
INSIDE CABINET



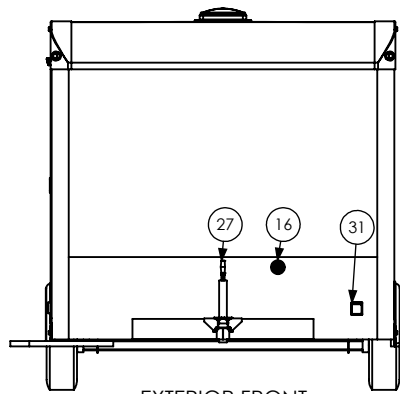
INTERIOR FRONT
SECTION C-C

PROPRIETARY AND CONFIDENTIAL
THE INFORMATION CONTAINED IN THIS DRAWING IS THE
SOLE PROPERTY OF INTECH TRAILERS. ANY REPRODUCTION
IN PART OR AS A WHOLE WITHOUT THE WRITTEN PERMISSION
OF INTECH TRAILERS IS PROHIBITED.

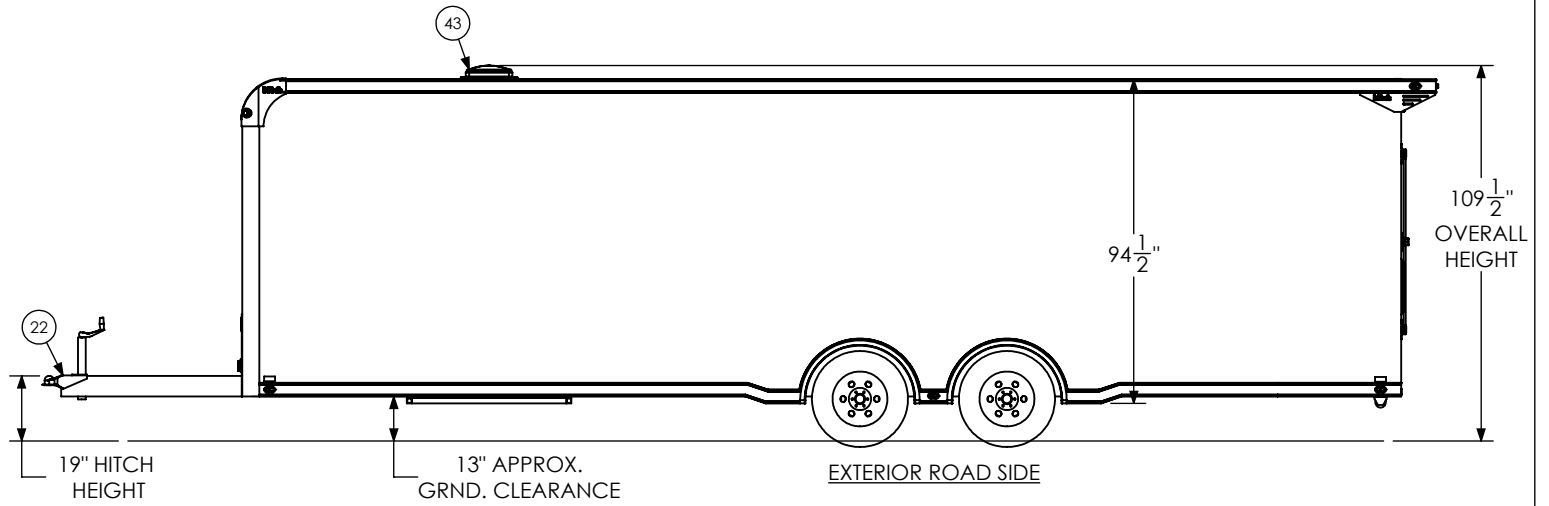
SCALE: 1:24	NAME	DATE
DRAWN	NjM	1/4/23

ALL DIMENSIONS ARE IN INCHES
AND ARE NOMINAL. DIMENSIONS
ON ACTUAL TRAILER MAY VARY
FROM WHAT IS SHOWN ON PRINT
BASED ON ACTUAL FRAMING AND
TRAILER STRUCTURE. UNLESS
NOTED AS CRITICAL

<i>inTech Trailers</i>		
inTech		
BTL8.5x28TA3 - STANDARD		
INTERIOR FRONT		
DWG. NO.	SHEET 4 OF 5	REV.
BTL8.5x28TA3 Trailer Assembly - Standard		G



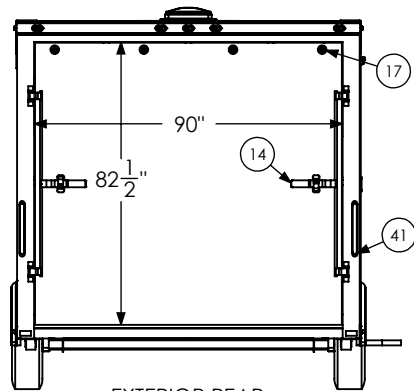
EXTERIOR FRONT



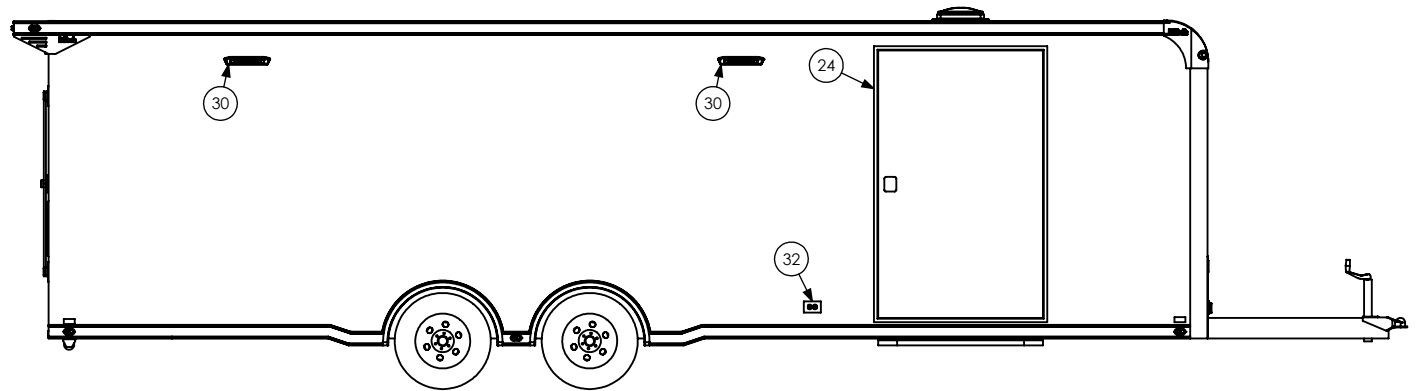
19" HITCH HEIGHT

13" APPROX. GRND. CLEARANCE

EXTERIOR ROAD SIDE



EXTERIOR REAR



EXTERIOR CURB SIDE

PROPRIETARY AND CONFIDENTIAL
 THE INFORMATION CONTAINED IN THIS DRAWING IS THE SOLE PROPERTY OF INTECH TRAILERS. ANY REPRODUCTION IN PART OR AS A WHOLE WITHOUT THE WRITTEN PERMISSION OF INTECH TRAILERS IS PROHIBITED.

SCALE: 1:56	NAME	DATE
DRAWN	NjM	1/4/23

ALL DIMENSIONS ARE IN INCHES AND ARE NOMINAL. DIMENSIONS ON ACTUAL TRAILER MAY VARY FROM WHAT IS SHOWN ON PRINT BASED ON ACTUAL FRAMING AND TRAILER STRUCTURE. UNLESS NOTED AS CRITICAL

<i>inTech Trailers</i>		
inTech		
BTL8.5x28TA3 - STANDARD		
EXTERIOR		
DWG. NO.	SHEET 5 OF 5	REV.
BTL8.5x28TA3 Trailer Assembly - Standard		G