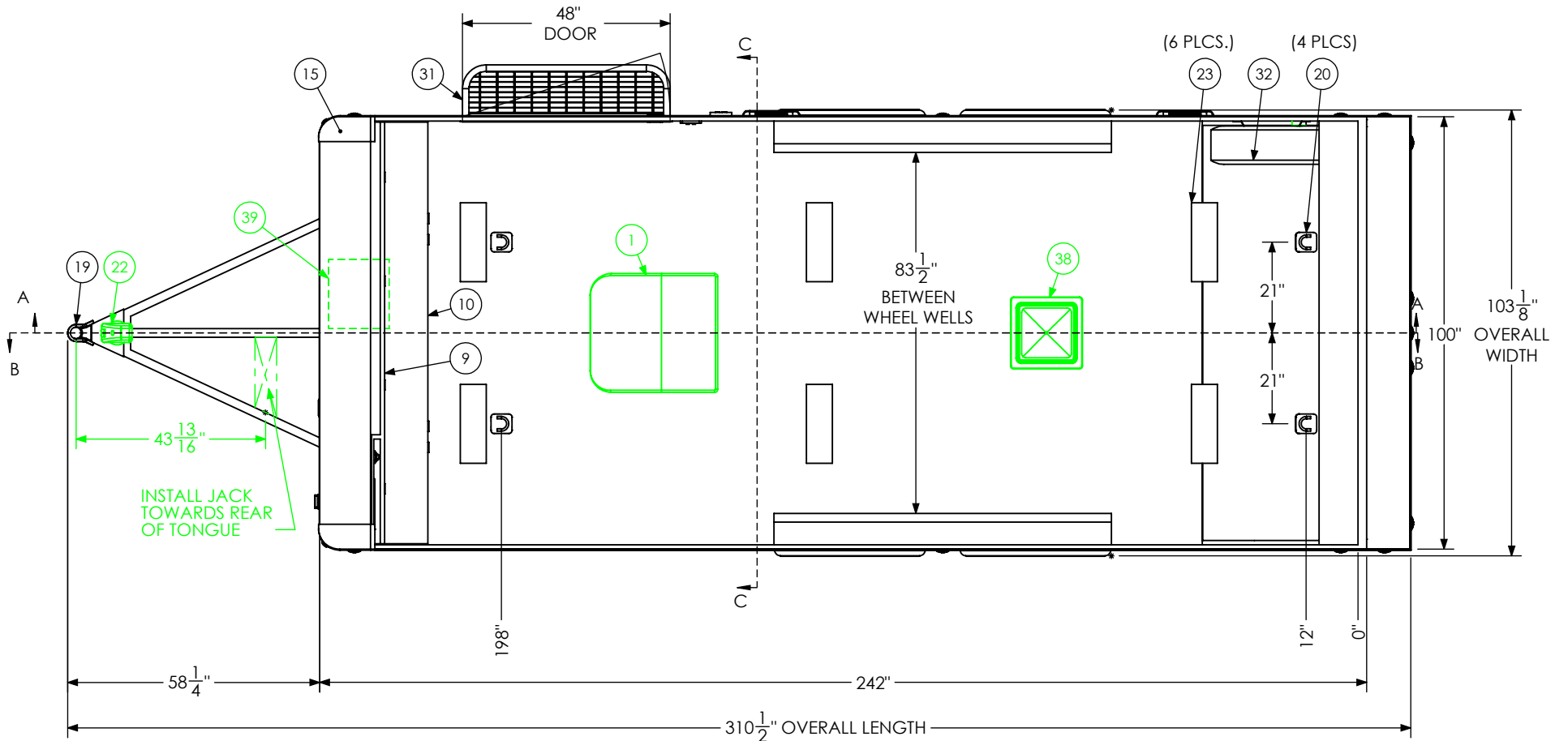


ITEM NO.	DESCRIPTION	NOTES	Options/QTY
1	Air Conditioner	13,500 BTU	1
2	Axle, Dexter	3500#, 0, 94HF, 78AB	2
9	BTL Cabinet, Overhead		1
10	BTL Cabinet, Straight Base		1
11	Bar Lock -		2
12	Battery Box		1
13	Battery Vent		1
14	Bumpers	1"	1
15	Cast Corners		1
16	Caster Wheel		2
19	Coupler	2 5/16" Ball, 14,000#	1
20	D-Ring	5,000	4
21	Door, Entrance	48" x 78" RHS	1
22	Jack, Power	3500#	1
24	Load Center	30 Amp L/C - 45 Amp Conv	1
25	Loading Light - LED	13.7" 12V Loading Light	2
26	Motorbase Plug	30 Amp	1
27	Outlet	120V 20 Amp	4
28	Ramp Extension	1 6" Transition Flap	1
31	Slide Out Step	48" Wide	1
32	Spare Tire Assembly		1
33	Spring Assist		1
34	Switch	12v Cutoff	1
35	Switch	2 - 12V Switches	1
37	Tire	ST205/75R15	4
38	Vent, Roof		1
39	Winch Plate		1

SCALE: 1:48	NAME	DATE	inTech Trailers	
DRAWN	NjM	1/3/23	inTech BTL8.5x20TA2 - OPTIONS BOM	
<small>ALL DIMENSIONS ARE IN INCHES AND ARE NOMINAL. DIMENSIONS ON ACTUAL TRAILER MAY VARY FROM WHAT IS SHOWN ON PRINT BASED ON ACTUAL FRAMING AND TRAILER STRUCTURE. UNLESS NOTED AS CRITICAL</small>		DWG. NO.	SHEET 1 OF 5	REV.
		BTL8.5x20TA2 Trailer Assembly - Options	H	

PROPRIETARY AND CONFIDENTIAL
 THE INFORMATION CONTAINED IN THIS DRAWING IS THE SOLE PROPERTY OF INTECH TRAILERS. ANY REPRODUCTION IN PART OR AS A WHOLE WITHOUT THE WRITTEN PERMISSION OF INTECH TRAILERS IS PROHIBITED.

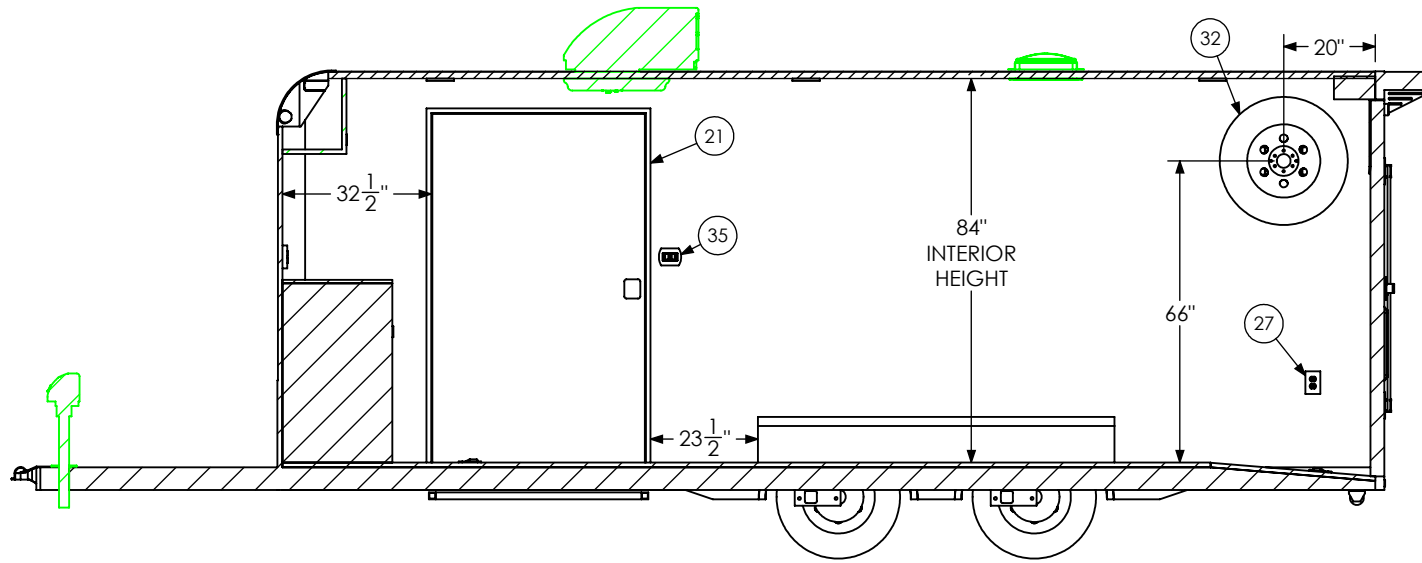


PROPRIETARY AND CONFIDENTIAL
 THE INFORMATION CONTAINED IN THIS DRAWING IS THE SOLE PROPERTY OF INTECH TRAILERS. ANY REPRODUCTION IN PART OR AS A WHOLE WITHOUT THE WRITTEN PERMISSION OF INTECH TRAILERS IS PROHIBITED.

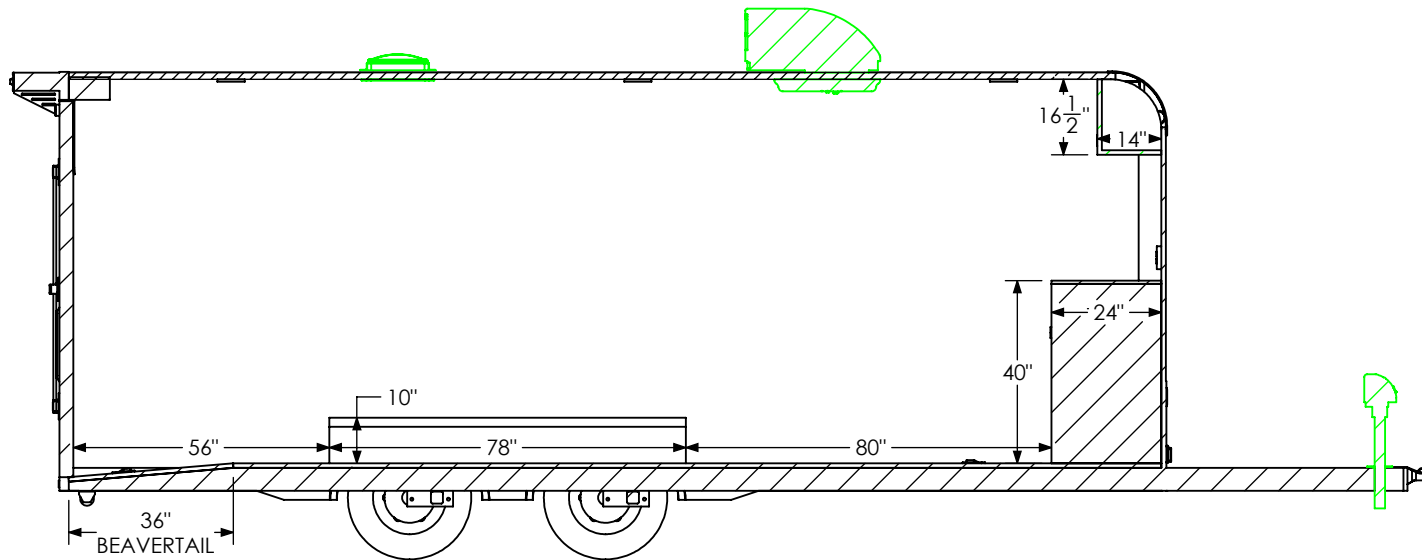
SCALE: 1:36	NAME	DATE
DRAWN	NjM	1/3/23

ALL DIMENSIONS ARE IN INCHES AND ARE NOMINAL. DIMENSIONS ON ACTUAL TRAILER MAY VARY FROM WHAT IS SHOWN ON PRINT BASED ON ACTUAL FRAMING AND TRAILER STRUCTURE. UNLESS NOTED AS CRITICAL

<i>inTech Trailers</i>		
inTech BTL8.5x20TA2 - OPTIONS FLOORPLAN		
DWG. NO. BTL8.5x20TA2 Trailer Assembly - Options	SHEET 2 OF 5	REV. H



INTERIOR CURB SIDE
SECTION A-A



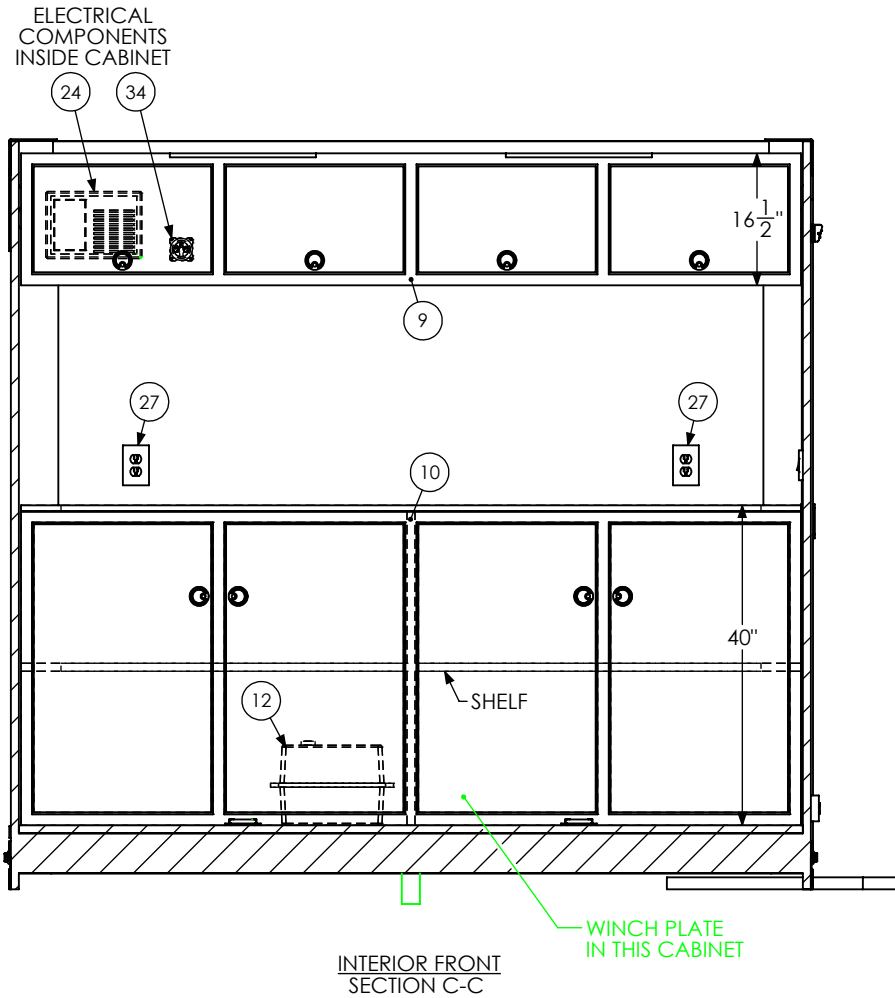
INTERIOR ROAD SIDE
SECTION B-B

PROPRIETARY AND CONFIDENTIAL
THE INFORMATION CONTAINED IN THIS DRAWING IS THE SOLE PROPERTY OF INTECH TRAILERS. ANY REPRODUCTION IN PART OR AS A WHOLE WITHOUT THE WRITTEN PERMISSION OF INTECH TRAILERS IS PROHIBITED.

SCALE: 1:42	NAME	DATE
DRAWN	NjM	1/3/23

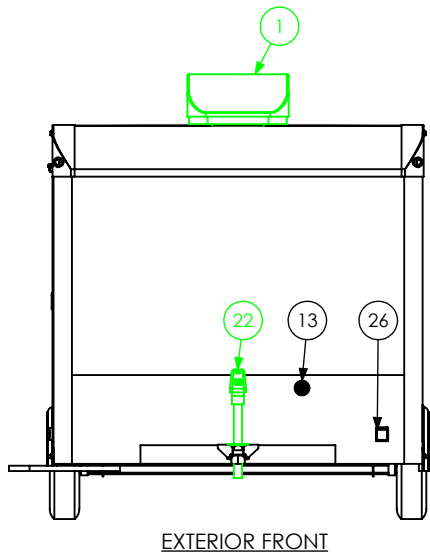
ALL DIMENSIONS ARE IN INCHES AND ARE NOMINAL. DIMENSIONS ON ACTUAL TRAILER MAY VARY FROM WHAT IS SHOWN ON PRINT BASED ON ACTUAL FRAMING AND TRAILER STRUCTURE, UNLESS NOTED AS CRITICAL

<i>inTech Trailers</i>		
inTech BTL8.5x20TA2 - OPTIONS INTERIOR SIDES		
DWG. NO. BTL8.5x20TA2 Trailer Assembly - Options	SHEET 3 OF 5	REV. H

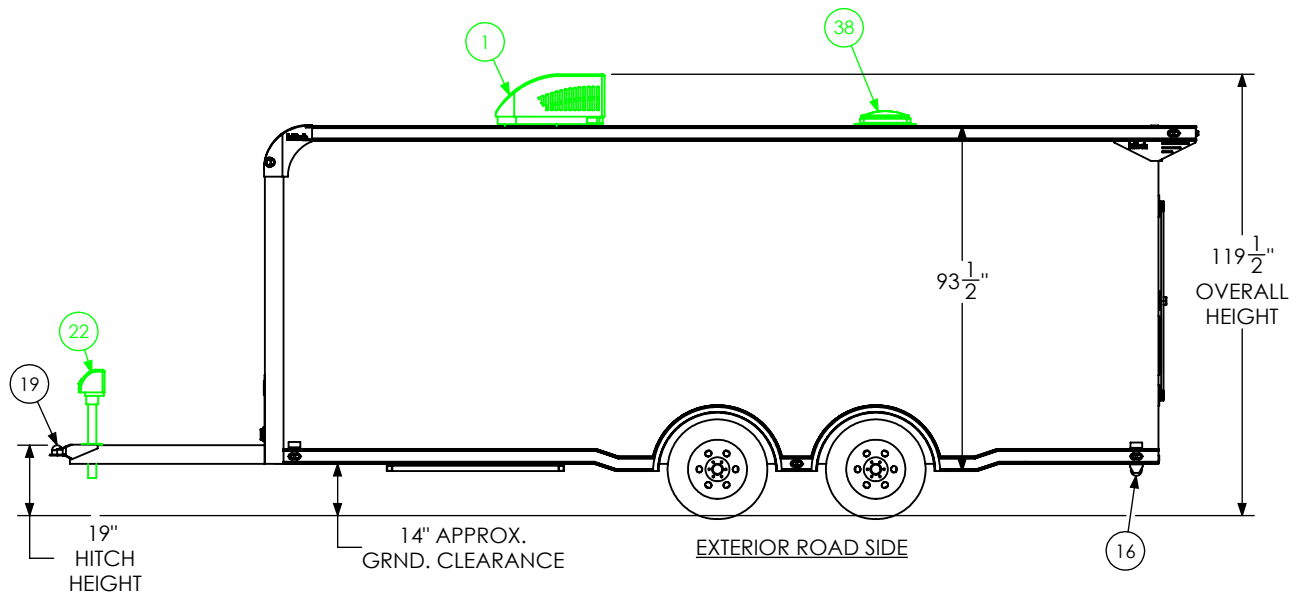


PROPRIETARY AND CONFIDENTIAL
 THE INFORMATION CONTAINED IN THIS DRAWING IS THE SOLE PROPERTY OF INTECH TRAILERS. ANY REPRODUCTION IN PART OR AS A WHOLE WITHOUT THE WRITTEN PERMISSION OF INTECH TRAILERS IS PROHIBITED.

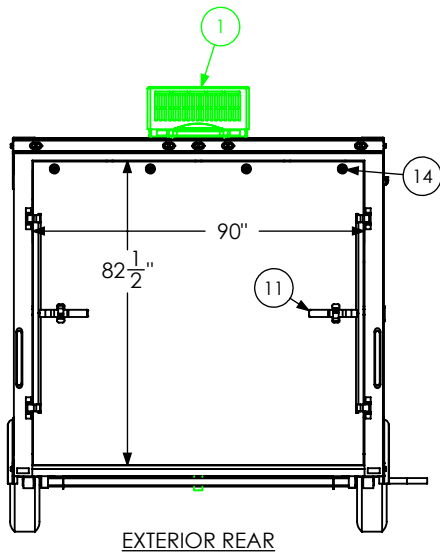
SCALE: 1:24	NAME	DATE	<i>inTech Trailers</i>	
DRAWN	NjM	1/3/23	inTech BTL8.5x20TA2 - OPTIONS INTERIOR FRONT	
ALL DIMENSIONS ARE IN INCHES AND ARE NOMINAL. DIMENSIONS ON ACTUAL TRAILER MAY VARY FROM WHAT IS SHOWN ON PRINT BASED ON ACTUAL FRAMING AND TRAILER STRUCTURE. UNLESS NOTED AS CRITICAL.			DWG. NO. BTL8.5x20TA2 Trailer Assembly - Options	REV. H



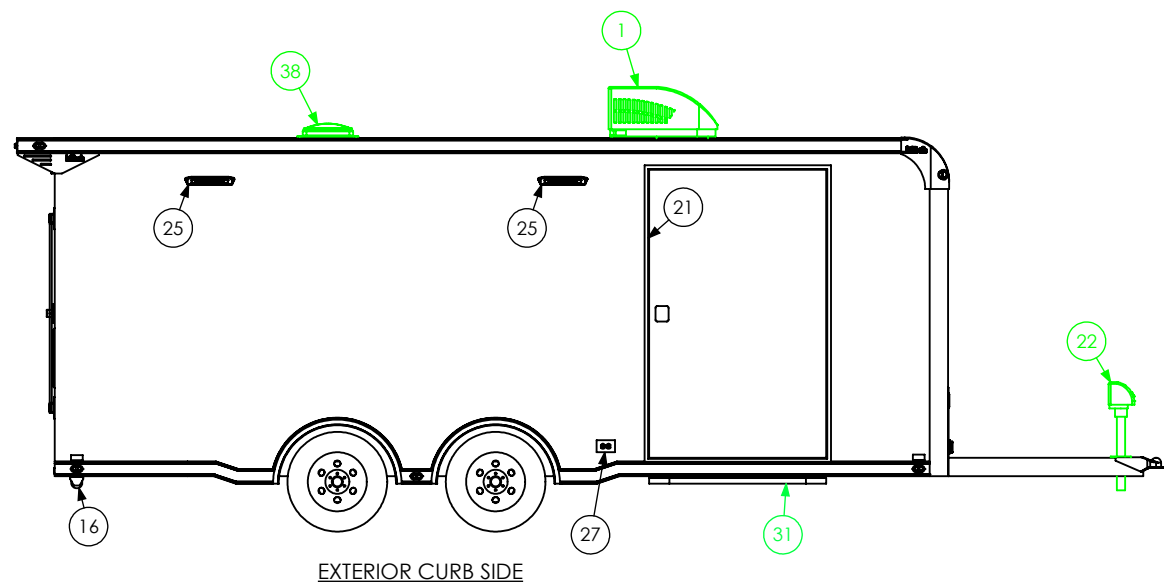
EXTERIOR FRONT



EXTERIOR ROAD SIDE



EXTERIOR REAR



EXTERIOR CURB SIDE

SCALE: 1:52	NAME	DATE
DRAWN	NjM	1/3/23

ALL DIMENSIONS ARE IN INCHES AND ARE NOMINAL. DIMENSIONS ON ACTUAL TRAILER MAY VARY FROM WHAT IS SHOWN ON PRINT BASED ON ACTUAL FRAMING AND TRAILER STRUCTURE. UNLESS NOTED AS CRITICAL

PROPRIETARY AND CONFIDENTIAL
THE INFORMATION CONTAINED IN THIS DRAWING IS THE SOLE PROPERTY OF INTECH TRAILERS. ANY REPRODUCTION IN PART OR AS A WHOLE WITHOUT THE WRITTEN PERMISSION OF INTECH TRAILERS IS PROHIBITED.

<i>inTech Trailers</i>		
inTech BTL8.5x20TA2 - OPTIONS EXTERIOR		
DWG. NO. BTL8.5x20TA2 Trailer Assembly - Options	SHEET 5 OF 5	REV. H