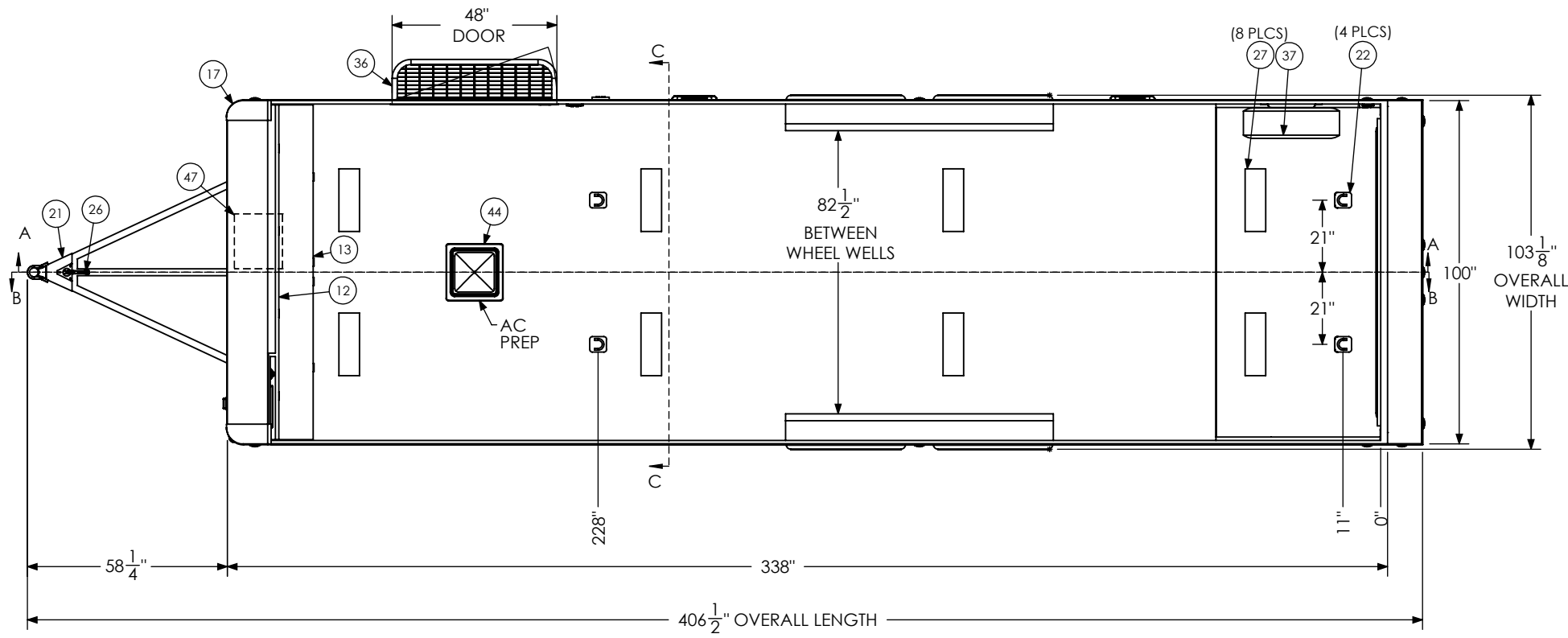


ITEM NO.	DESCRIPTION	NOTES	QTY.
1	Axle, Dexter	5200#, 10 UP, 94HF, 78AB	2
12	BTL Cabinet, Overhead		1
13	BTL Cabinet, Straight Base		1
14	Battery Box		1
15	Battery Vent		1
16	Bumpers	1"	1
17	Cast Corners		1
18	Caster Wheel		2
21	Coupler	2 5/16" Ball, 14,000#	1
22	D-Ring	5,000	4
23	Door, Entrance	48" x 76" RHS	1
26	Jack - Top Wind		1
27	Light	18" 12v LED	8
28	Load Center	30 Amp L/C - 60 Amp Conv	1
29	Loading Light - LED	13.7" 12V Loading Light	3
30	Motorbase Plug	30 Amp	1
31	Outlet	120V 20 Amp	4
32	Paddle Latch		2
33	Ramp Extension	16" Transition Flap	1
36	Slide Out Step	48" Wide	1
37	Spare Tire Assembly		1
38	Spring Assist		1
39	Switch	12v Cutoff	1
40	Switch	2 - 12V Switches	1
41	Switch	1 - 12V Switch	1
43	Tire	ST225/75R15	4
44	Vent, Roof		1
47	Winch Plate		1

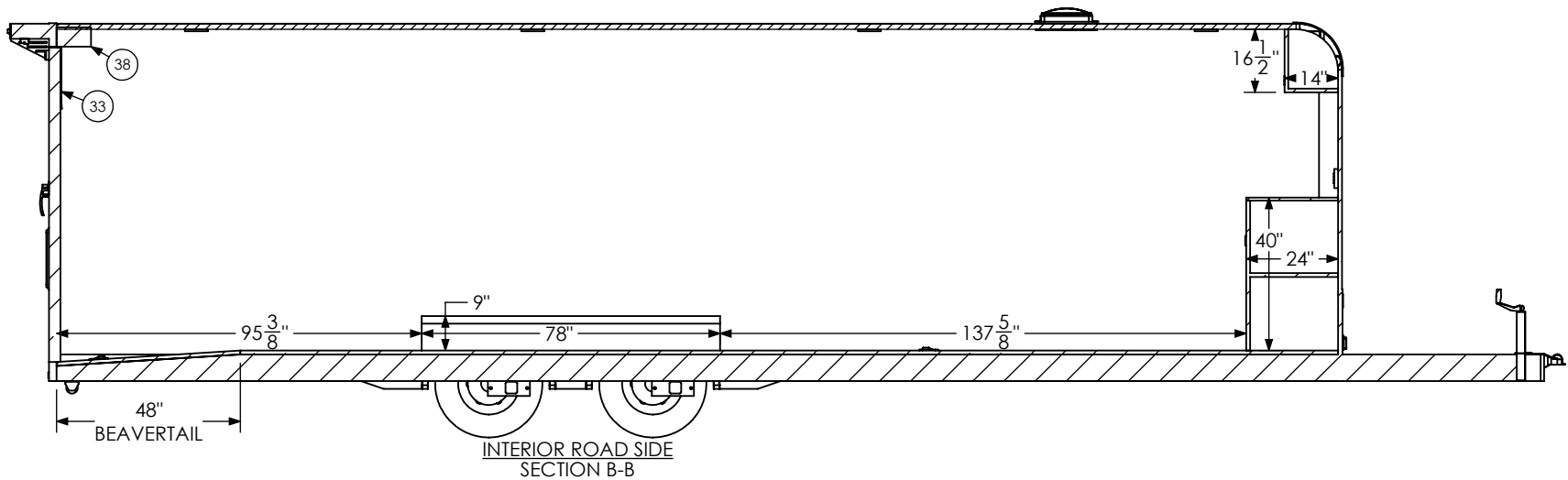
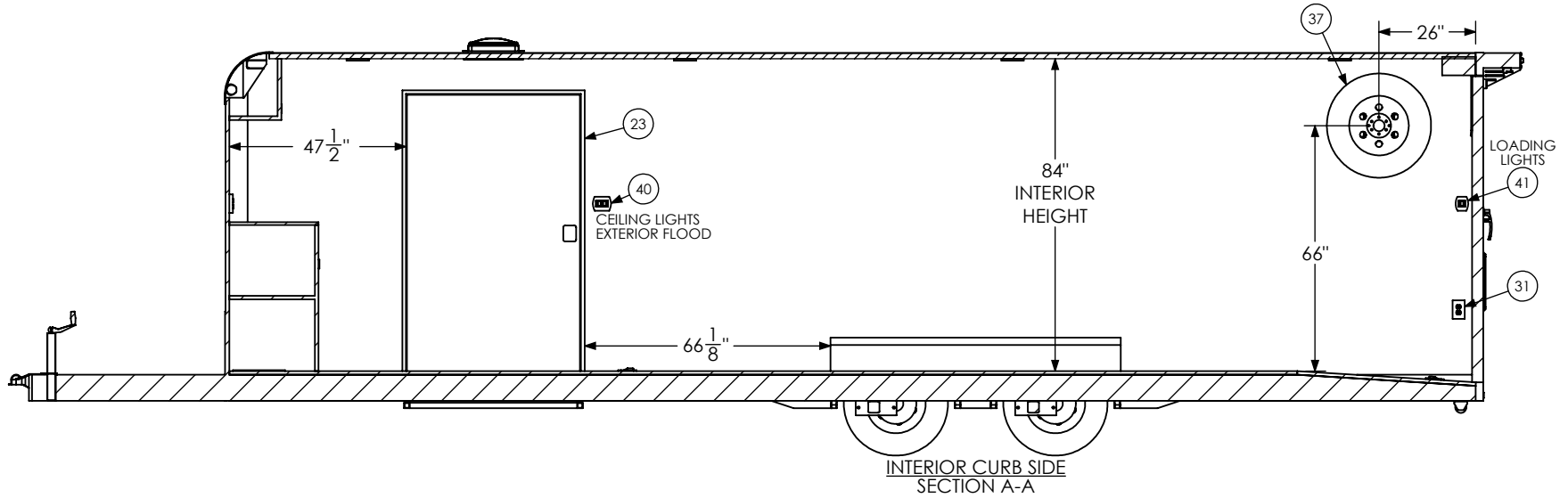
SCALE: 1:54	NAME	DATE	inTech Trailers	
DRAWN	NjM	8/15/24	inTech BTL8.5x28TA3 - STANDARD BOM	
<small>ALL DIMENSIONS ARE IN INCHES AND ARE NOMINAL. DIMENSIONS ON ACTUAL TRAILER MAY VARY FROM WHAT IS SHOWN ON PRINT BASED ON ACTUAL FRAMING AND TRAILER STRUCTURE. UNLESS NOTED AS CRITICAL</small>			DWG. NO.	REV.
			BTL8.5x28TA3 Trailer Assembly - Standard	SHEET 1 OF 5 K

PROPRIETARY AND CONFIDENTIAL
 THE INFORMATION CONTAINED IN THIS DRAWING IS THE SOLE PROPERTY OF INTECH TRAILERS. ANY REPRODUCTION IN PART OR AS A WHOLE WITHOUT THE WRITTEN PERMISSION OF INTECH TRAILERS IS PROHIBITED.



PROPRIETARY AND CONFIDENTIAL
 THE INFORMATION CONTAINED IN THIS DRAWING IS THE
 SOLE PROPERTY OF INTECH TRAILERS. ANY REPRODUCTION
 IN PART OR AS A WHOLE WITHOUT THE WRITTEN PERMISSION
 OF INTECH TRAILERS IS PROHIBITED.

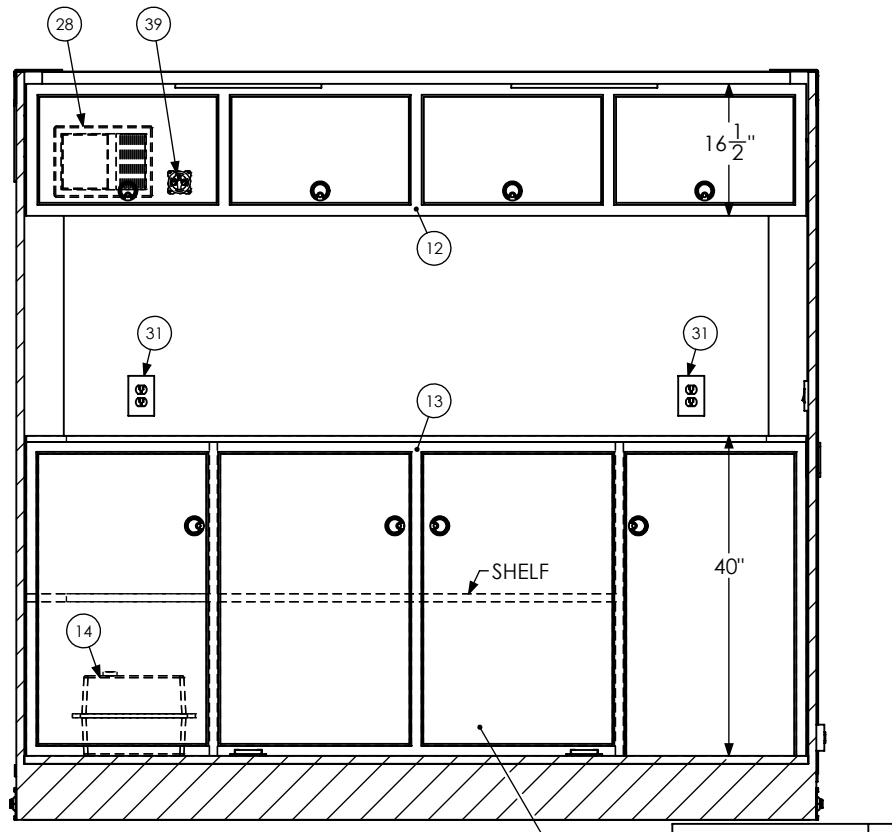
SCALE: 1:45	NAME	DATE	inTech Trailers		
DRAWN	NjM	8/15/24			inTech BTL8.5x28TA3 - STANDARD FLOORPLAN
ALL DIMENSIONS ARE IN INCHES AND ARE NOMINAL. DIMENSIONS ON ACTUAL TRAILER MAY VARY FROM WHAT IS SHOWN ON PRINT BASED ON ACTUAL FRAMING AND TRAILER STRUCTURE. UNLESS NOTED AS CRITICAL			DWG. NO. BTL8.5x28TA3 Trailer Assembly - Standard	SHEET 2 OF 5	REV. K



SCALE: 1:46	NAME	DATE	<i>inTech Trailers</i>		
DRAWN	NjM	8/15/24			inTech BTL8.5x28TA3 - STANDARD INTERIOR SIDES
ALL DIMENSIONS ARE IN INCHES AND ARE NOMINAL. DIMENSIONS ON ACTUAL TRAILER MAY VARY FROM WHAT IS SHOWN ON PRINT BASED ON ACTUAL FRAMING AND TRAILER STRUCTURE, UNLESS NOTED AS CRITICAL			DWG. NO.	SHEET 3 OF 5	REV.
			BTL8.5x28TA3 Trailer Assembly - Standard		K

PROPRIETARY AND CONFIDENTIAL
 THE INFORMATION CONTAINED IN THIS DRAWING IS THE
 SOLE PROPERTY OF INTECH TRAILERS. ANY REPRODUCTION
 IN PART OR AS A WHOLE WITHOUT THE WRITTEN PERMISSION
 OF INTECH TRAILERS IS PROHIBITED.

ELECTRICAL
COMPONENTS
INSIDE CABINET



INTERIOR FRONT
SECTION C-C

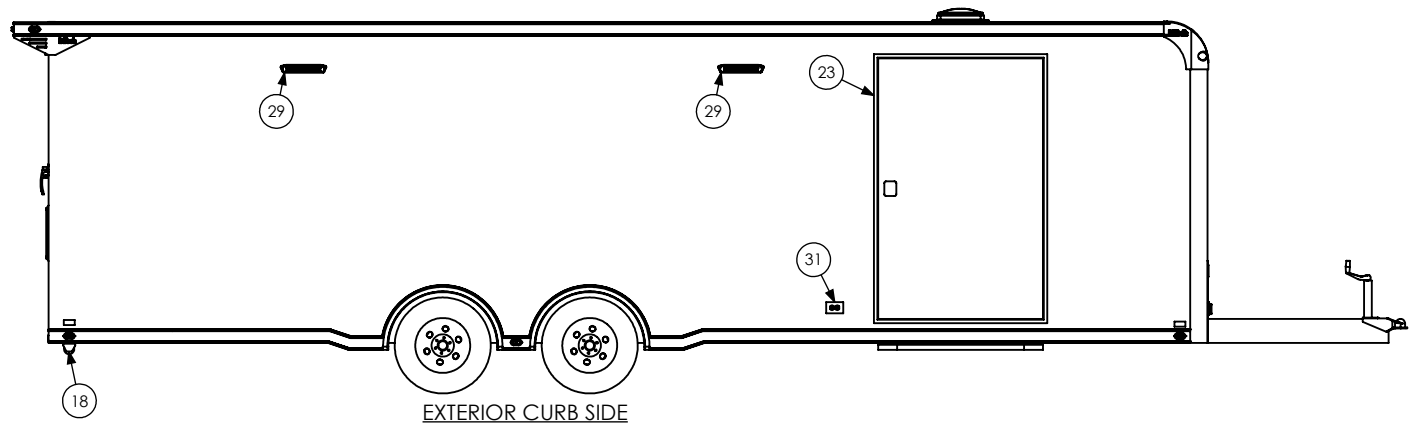
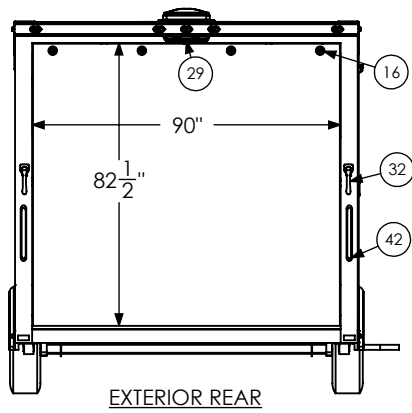
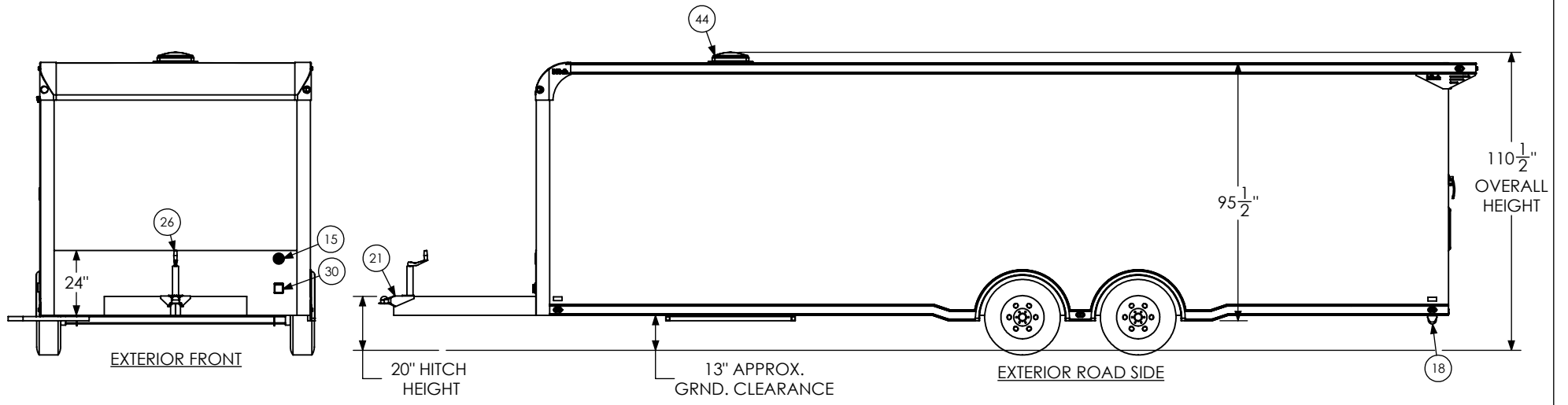
WINCH PLATE
IN THIS CABINET

SCALE: 1:24	NAME	DATE
DRAWN	NjM	8/15/24

ALL DIMENSIONS ARE IN INCHES
AND ARE NOMINAL. DIMENSIONS
ON ACTUAL TRAILER MAY VARY
FROM WHAT IS SHOWN ON PRINT
BASED ON ACTUAL FRAMING AND
TRAILER STRUCTURE. UNLESS
NOTED AS CRITICAL

PROPRIETARY AND CONFIDENTIAL
THE INFORMATION CONTAINED IN THIS DRAWING IS THE
SOLE PROPERTY OF INTECH TRAILERS. ANY REPRODUCTION
IN PART OR AS A WHOLE WITHOUT THE WRITTEN PERMISSION
OF INTECH TRAILERS IS PROHIBITED.

<i>inTech Trailers</i>		
inTech		
BTL8.5x28TA3 - STANDARD		
INTERIOR FRONT		
DWG. NO.	SHEET 4 OF 5	REV.
BTL8.5x28TA3 Trailer Assembly - Standard		K

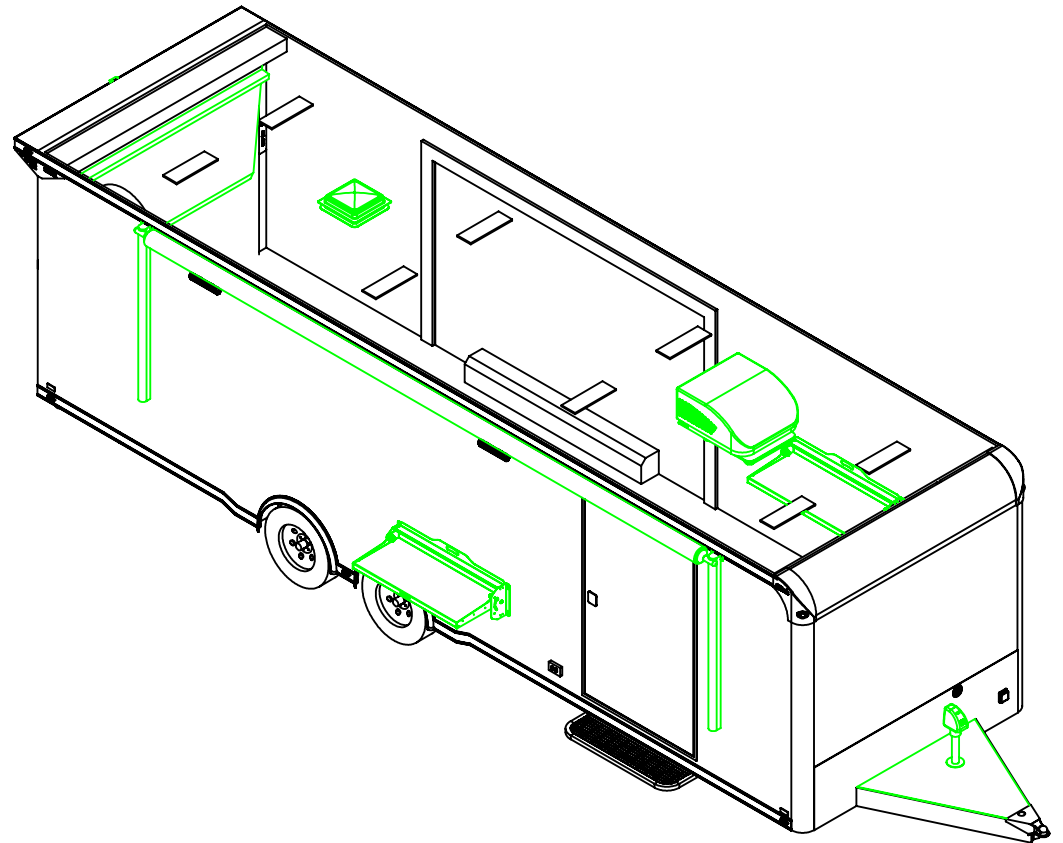


PROPRIETARY AND CONFIDENTIAL
 THE INFORMATION CONTAINED IN THIS DRAWING IS THE SOLE PROPERTY OF INTECH TRAILERS. ANY REPRODUCTION IN PART OR AS A WHOLE WITHOUT THE WRITTEN PERMISSION OF INTECH TRAILERS IS PROHIBITED.

SCALE: 1:56	NAME	DATE
DRAWN	NjM	8/15/24
ALL DIMENSIONS ARE IN INCHES AND ARE NOMINAL. DIMENSIONS ON ACTUAL TRAILER MAY VARY FROM WHAT IS SHOWN ON PRINT BASED ON ACTUAL FRAMING AND TRAILER STRUCTURE. UNLESS NOTED AS CRITICAL		

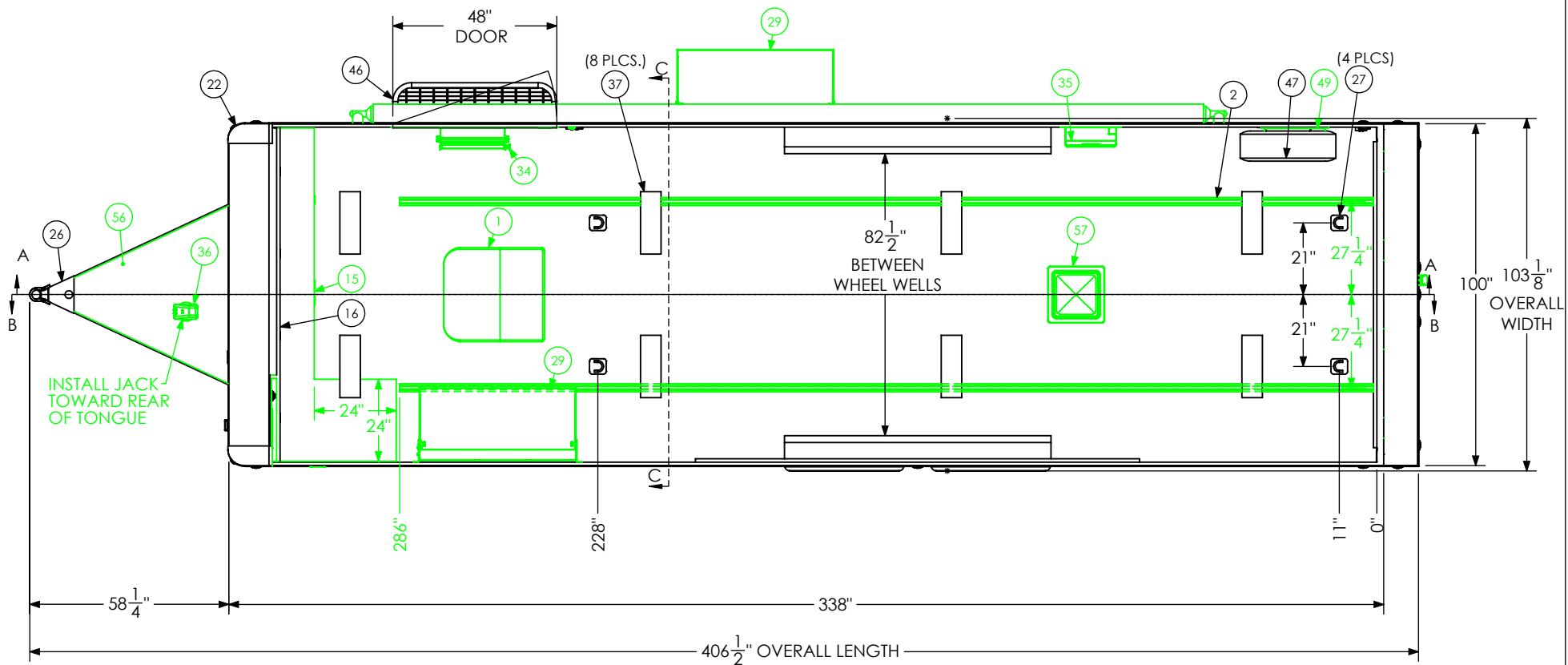
<i>inTech Trailers</i>		
inTech BTL8.5x28TA3 - STANDARD EXTERIOR		
DWG. NO. BTL8.5x28TA3 Trailer Assembly - Standard	SHEET 5 OF 5	REV. K

ITEM NO.	DESCRIPTION	NOTES	Options/ QTY
1	Air Conditioner	13,500 BTU	1
2	Airline Track		2
3	Awning	21' Power	1
4	Axle, Dexter	5200#, 10 UP, 94HF, 78AB	2
15	BTL Cabinet, L-Base		1
16	BTL Cabinet, Overhead		1
17	Battery Box		1
18	Battery Vent		1
19	Bumpers	3"	1
20	Camera Transmitter		1
21	Camera, Backup		1
22	Cast Corners		1
23	Caster Wheel		2
26	Coupler	2 5/16" Ball, 14,000#	1
27	D-Ring	5,000	4
28	Door, Entrance	48" x 76" RHS	1
29	Flip Down Shelf		2
32	Gen Slides - Lite Trailers		1
33	Generator Door	36" x 36"	1
34	Door Caddy Intech		1
35	Jack in the Pouch Assembly		1
36	Jack, Power	3500#	1
37	Light	18" 12v LED	8
38	Load Center	30 Amp L/C - 45 Amp Conv	1
39	Loading Light - LED	13.7" 12V Loading Light	3
40	Motorbase Plug	30 Amp	1
41	Outlet	120V 20 Amp	4
42	Paddle Latch		2
43	Ramp Extension	48" x 84"	1
46	Slide Out Step	48" Wide	1
47	Spare Tire Assembly		1
48	Spring Assist		1
49	Strap Hanger - Lite	18"	1
50	Switch	12v Cutoff	1
51	Switch	2 - 12V Switches	1
52	Switch	1 - 12V Switch	1
53	Switch	Awning Command	1
55	Tire	ST225/75R15	4
56	Tongue Cover		1
57	Vent, Roof		1
60	Winch Plate		1



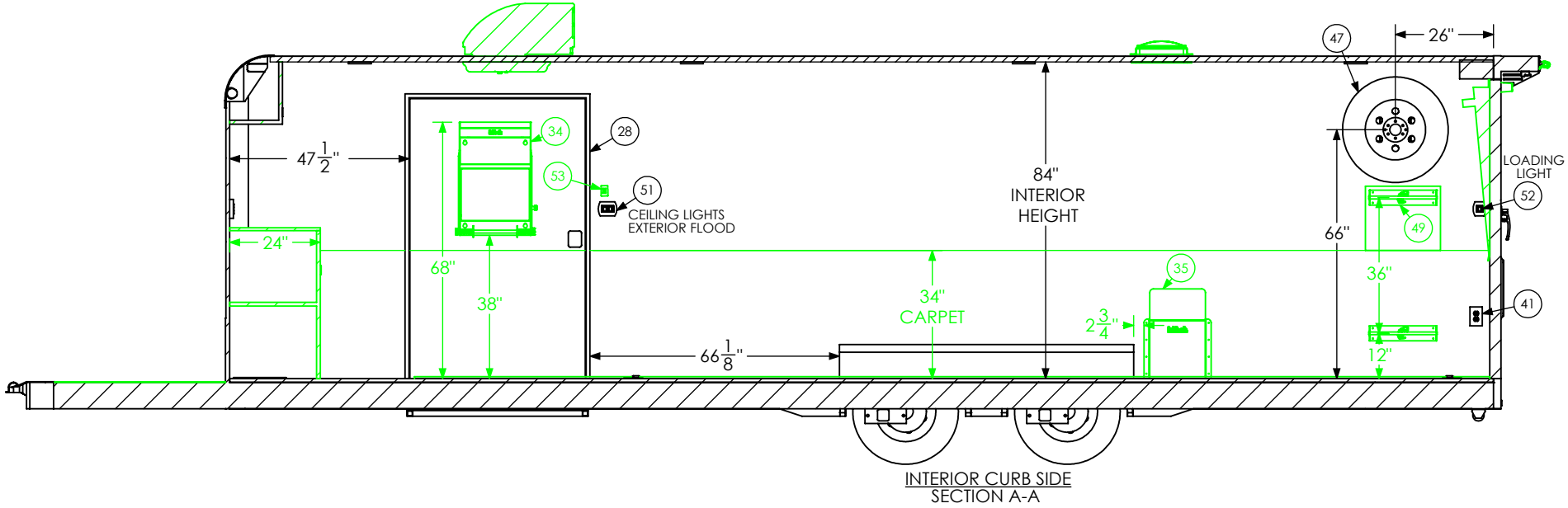
SCALE: 1:60	NAME	DATE	inTech Trailers	
DRAWN	NjM	9/2/24	inTech BTL8.5x28TA3 - OPTIONS BOM	
ALL DIMENSIONS ARE IN INCHES AND ARE NOMINAL. DIMENSIONS ON ACTUAL TRAILER MAY VARY FROM WHAT IS SHOWN ON PRINT BASED ON ACTUAL FRAMING AND TRAILER STRUCTURE. UNLESS NOTED AS CRITICAL		DWG. NO.	SHEET 1 OF 5	REV.
		BTL8.5x28TA3 Trailer Assembly - Options	N	

PROPRIETARY AND CONFIDENTIAL
 THE INFORMATION CONTAINED IN THIS DRAWING IS THE
 SOLE PROPERTY OF INTECH TRAILERS. ANY REPRODUCTION
 IN PART OR AS A WHOLE WITHOUT THE WRITTEN PERMISSION
 OF INTECH TRAILERS IS PROHIBITED.

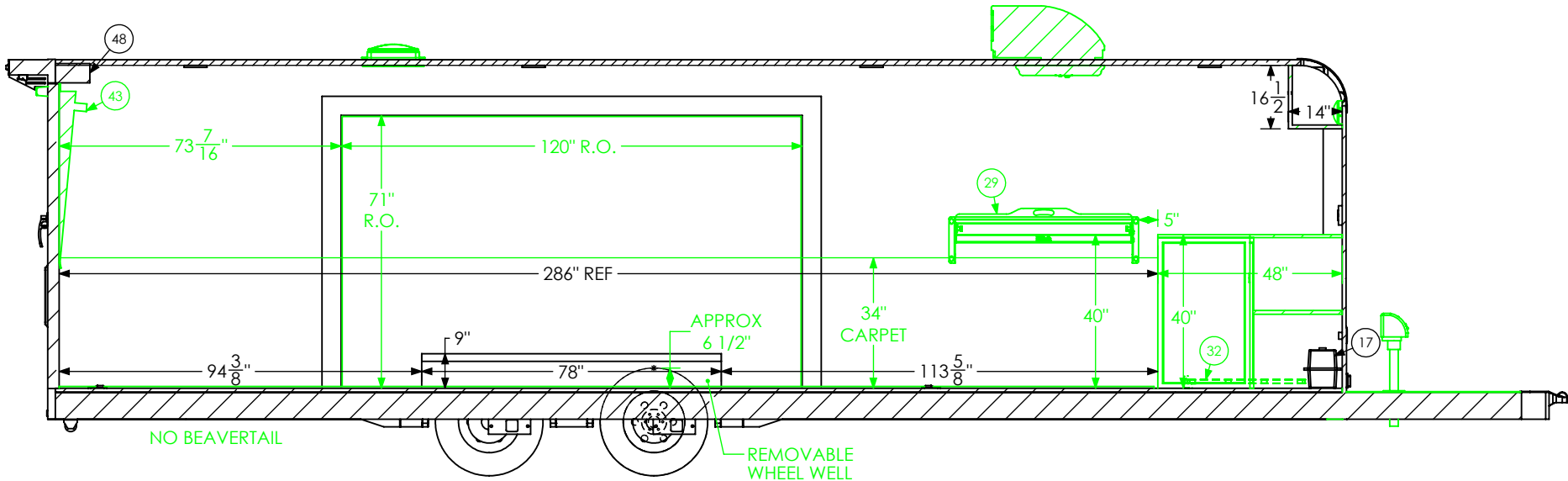


SCALE: 1:45	NAME	DATE	<i>inTech Trailers</i>		
DRAWN	NjM	9/2/24			inTech BTL8.5x28TA3 - OPTIONS FLOORPLAN
<small>ALL DIMENSIONS ARE IN INCHES AND ARE NOMINAL. DIMENSIONS ON ACTUAL TRAILER MAY VARY FROM WHAT IS SHOWN ON PRINT BASED ON ACTUAL FRAMING AND TRAILER STRUCTURE. UNLESS NOTED AS CRITICAL.</small>			DWG. NO.	SHEET 2 OF 5	REV.
			BTL8.5x28TA3 Trailer Assembly - Options	N	

PROPRIETARY AND CONFIDENTIAL
 THE INFORMATION CONTAINED IN THIS DRAWING IS THE SOLE PROPERTY OF INTECH TRAILERS. ANY REPRODUCTION IN PART OR AS A WHOLE WITHOUT THE WRITTEN PERMISSION OF INTECH TRAILERS IS PROHIBITED.



INTERIOR CURB SIDE SECTION A-A



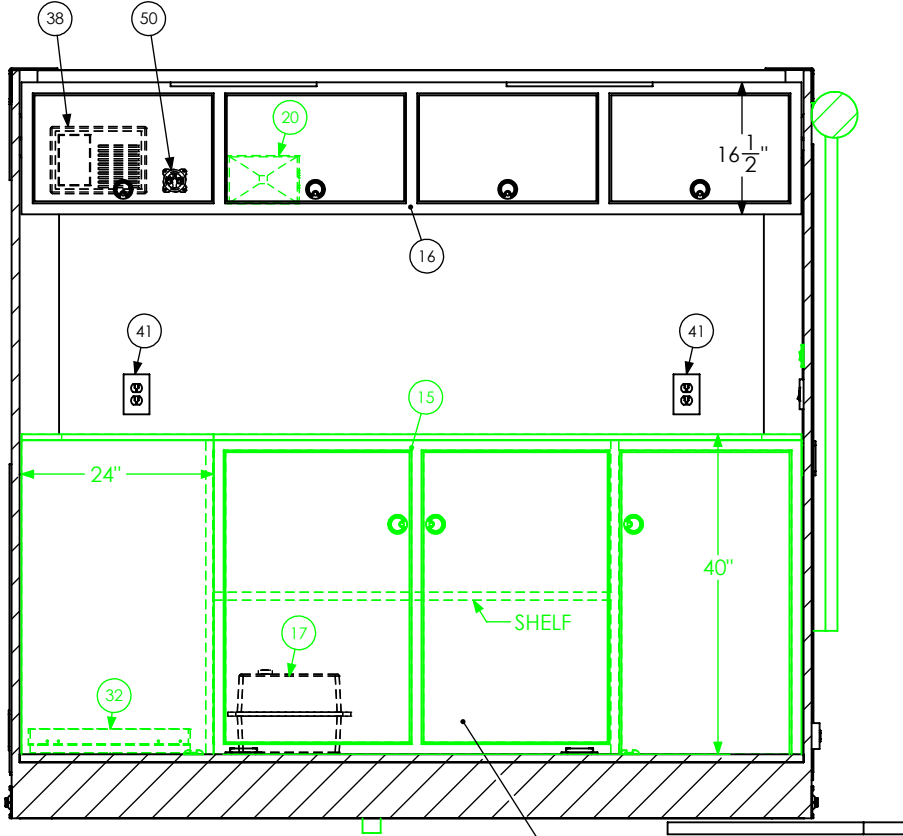
INTERIOR ROAD SIDE SECTION B-B

PROPRIETARY AND CONFIDENTIAL
 THE INFORMATION CONTAINED IN THIS DRAWING IS THE SOLE PROPERTY OF INTECH TRAILERS. ANY REPRODUCTION IN PART OR AS A WHOLE WITHOUT THE WRITTEN PERMISSION OF INTECH TRAILERS IS PROHIBITED.

SCALE: 1:42	NAME	DATE
DRAWN	NjM	9/2/24
ALL DIMENSIONS ARE IN INCHES AND ARE NOMINAL. DIMENSIONS ON ACTUAL TRAILER MAY VARY FROM WHAT IS SHOWN ON PRINT BASED ON ACTUAL FRAMING AND TRAILER STRUCTURE. UNLESS NOTED AS CRITICAL.		

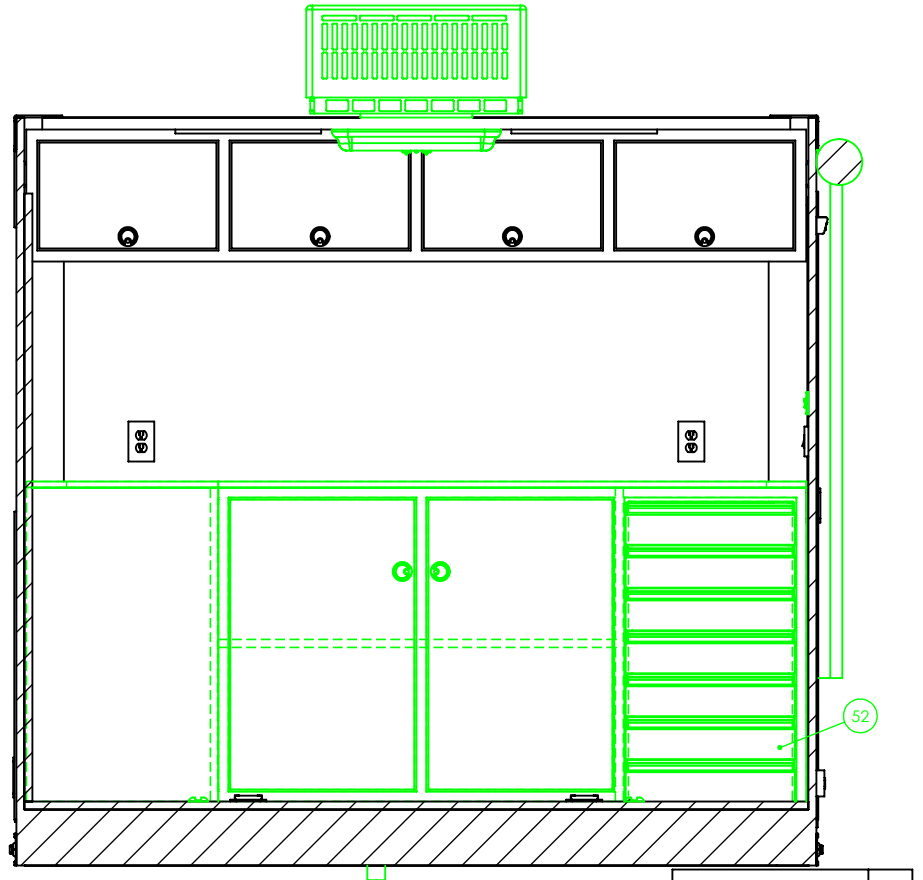
inTech Trailers		
inTech		
BTL8.5x28TA3 - OPTIONS		
INTERIOR SIDES		
DWG. NO.	SHEET 3 OF 5	REV.
BTL8.5x28TA3 Trailer Assembly - Options	N	N

ELECTRICAL COMPONENTS
INSIDE CABINET



INTERIOR FRONT
SECTION C-C

WINCH PLATE
IN THIS CABINET



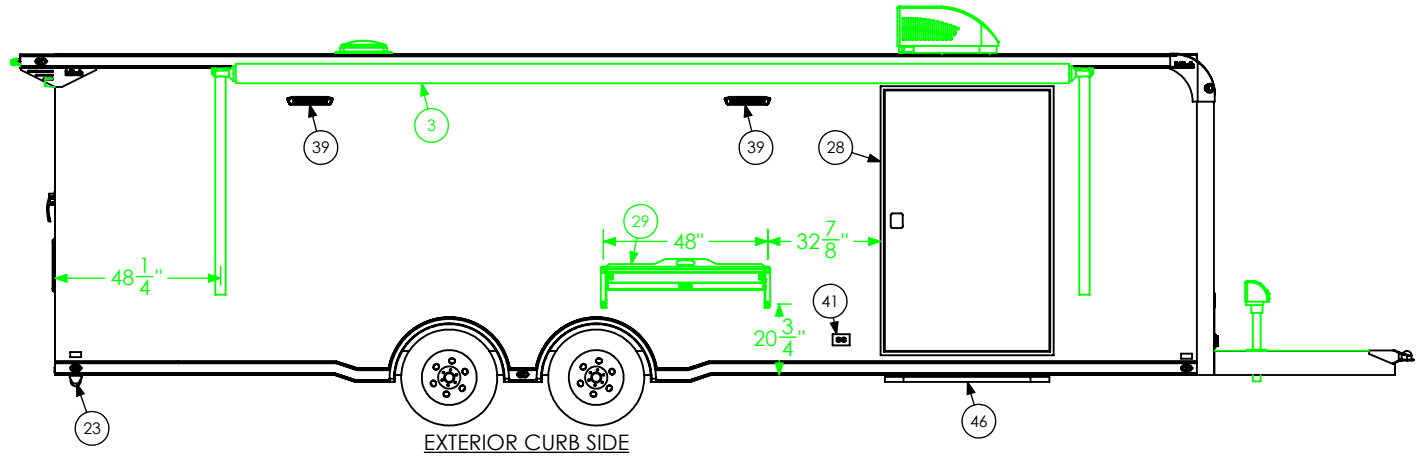
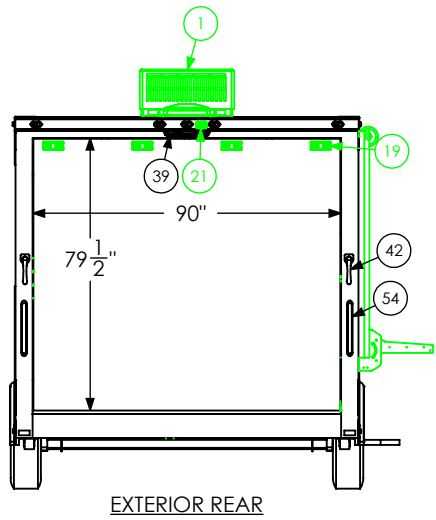
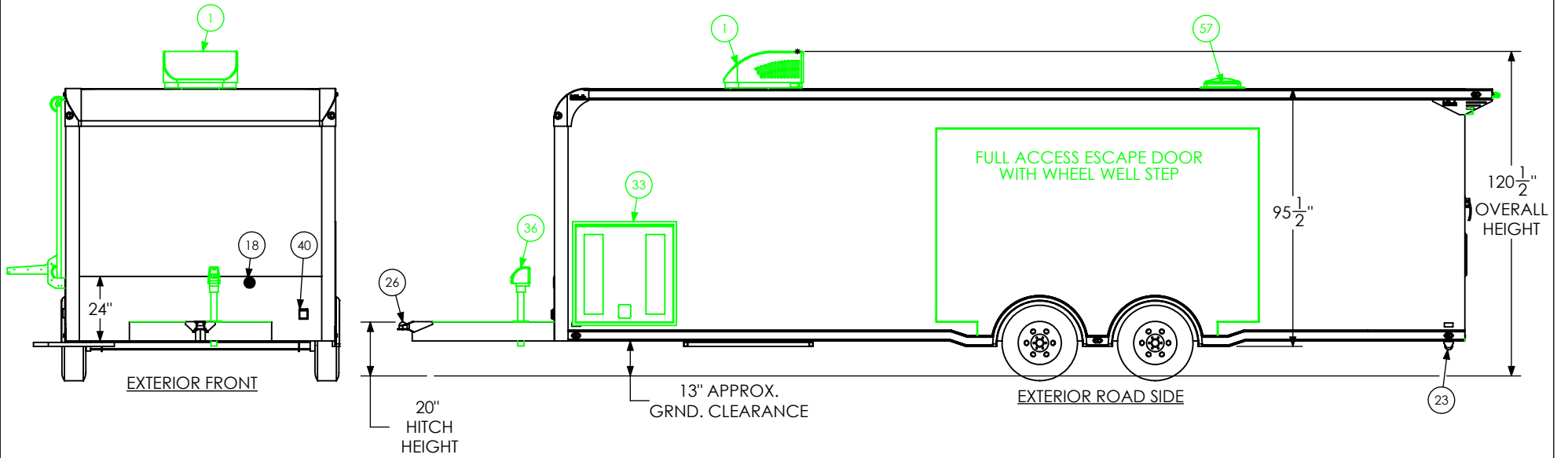
INTERIOR FRONT
DRAWER INSERT OPTION

SCALE: 1:24	NAME	DATE
DRAWN	NjM	9/2/24

ALL DIMENSIONS ARE IN INCHES
AND ARE NOMINAL. DIMENSIONS
ON ACTUAL TRAILER MAY VARY
FROM WHAT IS SHOWN ON PRINT
BASED ON ACTUAL FRAMING AND
TRAILER STRUCTURE. UNLESS
NOTED AS CRITICAL

PROPRIETARY AND CONFIDENTIAL
THE INFORMATION CONTAINED IN THIS DRAWING IS THE
SOLE PROPERTY OF INTECH TRAILERS. ANY REPRODUCTION
IN PART OR AS A WHOLE WITHOUT THE WRITTEN PERMISSION
OF INTECH TRAILERS IS PROHIBITED.

<i>inTech Trailers</i>		
inTech BTL8.5x28TA3 - OPTIONS INTERIOR FRONT		
DWG. NO. BTL8.5x28TA3 Trailer Assembly - Options	SHEET 4 OF 5	REV. N



SCALE: 1:56	NAME	DATE
DRAWN	NjM	9/2/24

ALL DIMENSIONS ARE IN INCHES AND ARE NOMINAL. DIMENSIONS ON ACTUAL TRAILER MAY VARY FROM WHAT IS SHOWN ON PRINT BASED ON ACTUAL FRAMING AND TRAILER STRUCTURE. UNLESS NOTED AS CRITICAL

PROPRIETARY AND CONFIDENTIAL
 THE INFORMATION CONTAINED IN THIS DRAWING IS THE SOLE PROPERTY OF INTECH TRAILERS. ANY REPRODUCTION IN PART OR AS A WHOLE WITHOUT THE WRITTEN PERMISSION OF INTECH TRAILERS IS PROHIBITED.

<i>inTech Trailers</i>		
inTech BTL8.5x28TA3 - OPTIONS EXTERIOR		
DWG. NO. BTL8.5x28TA3 Trailer Assembly - Options	SHEET 5 OF 5	REV. N