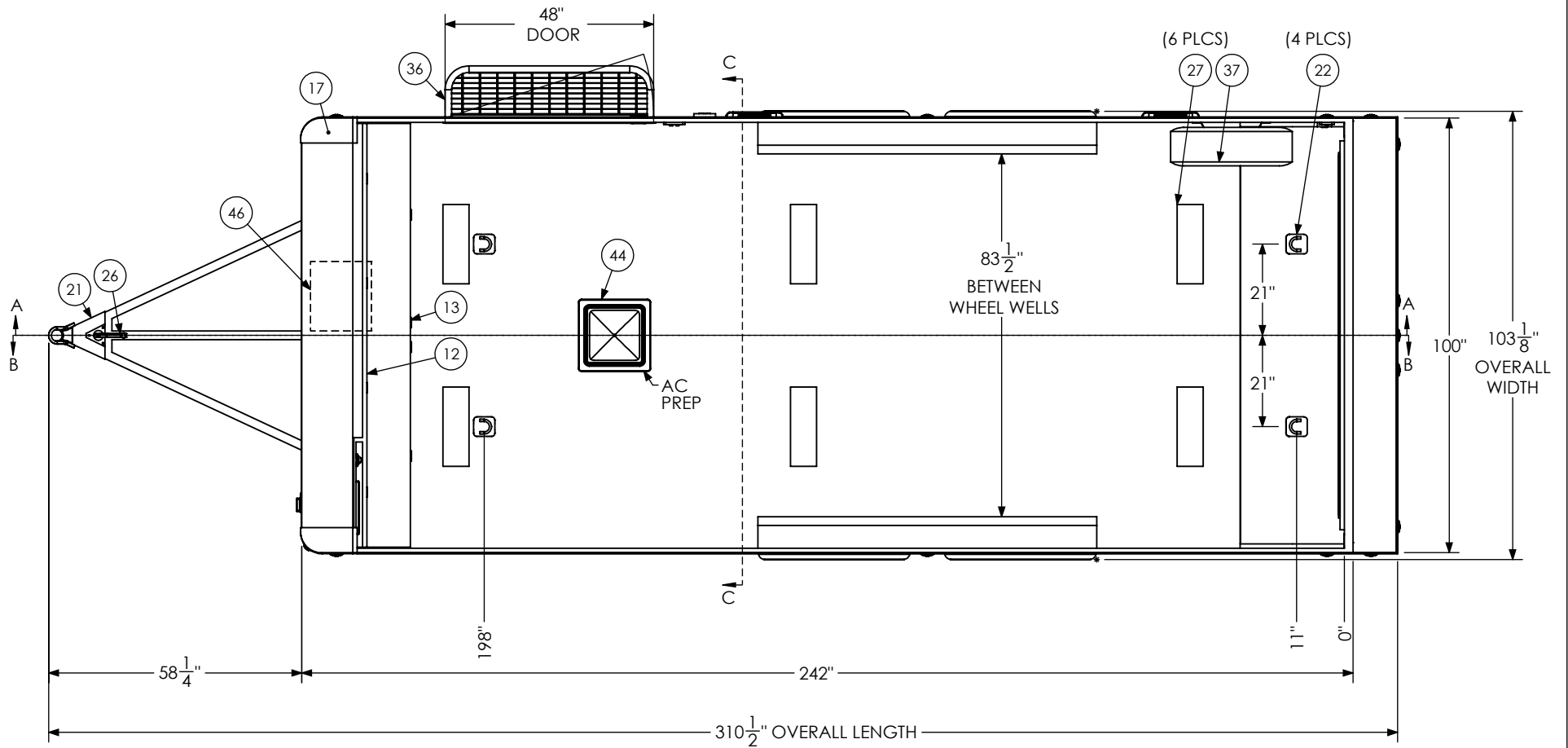


ITEM NO.	DESCRIPTION	NOTES	QTY.
1	Axle, Dexter	3500#, 0, 94HF, 78AB	2
12	BTL Cabinet, Overhead		1
13	BTL Cabinet, Straight Base		1
14	Battery Box		1
15	Battery Vent		1
16	Bumpers	1"	1
17	Cast Corners		1
18	Caster Wheel		2
21	Coupler	2 5/16" Ball, 14,000#	1
22	D-Ring	5,000	4
23	Door, Entrance	48" x 76" RHS	1
26	Jack - Top Wind		1
27	Light	18" 12v LED	6
28	Load Center	30 Amp L/C - 60 Amp Conv	1
29	Loading Light - LED	13.7" 12V Loading Light	3
30	Motorbase Plug	30 Amp	1
31	Outlet	120V 20 Amp	4
32	Paddle Latch		2
33	Ramp Extension	16" Transition Flap	1
36	Slide Out Step	48" Wide	1
37	Spare Tire Assembly		1
38	Spring Assist		1
39	Switch	12v Cutoff	1
40	Switch	2 - 12V Switches	1
41	Switch	1 - 12V Switch	1
43	Tire	ST205/75R15	4
44	Vent, Roof		1
46	Winch Plate		1

SCALE: 1:48	NAME	DATE	inTech Trailers		
DRAWN	NjM	8/8/24			inTech BTL8.5x20TA2 - STANDARD BOM
<small>ALL DIMENSIONS ARE IN INCHES AND ARE NOMINAL. DIMENSIONS ON ACTUAL TRAILER MAY VARY FROM WHAT IS SHOWN ON PRINT BASED ON ACTUAL FRAMING AND TRAILER STRUCTURE. UNLESS NOTED AS CRITICAL</small>			DWG. NO.	SHEET 1 OF 5	REV.
			BTL8.5x20TA2 Trailer Assembly - Standard	M	

PROPRIETARY AND CONFIDENTIAL
 THE INFORMATION CONTAINED IN THIS DRAWING IS THE SOLE PROPERTY OF INTECH TRAILERS. ANY REPRODUCTION IN PART OR AS A WHOLE WITHOUT THE WRITTEN PERMISSION OF INTECH TRAILERS IS PROHIBITED.

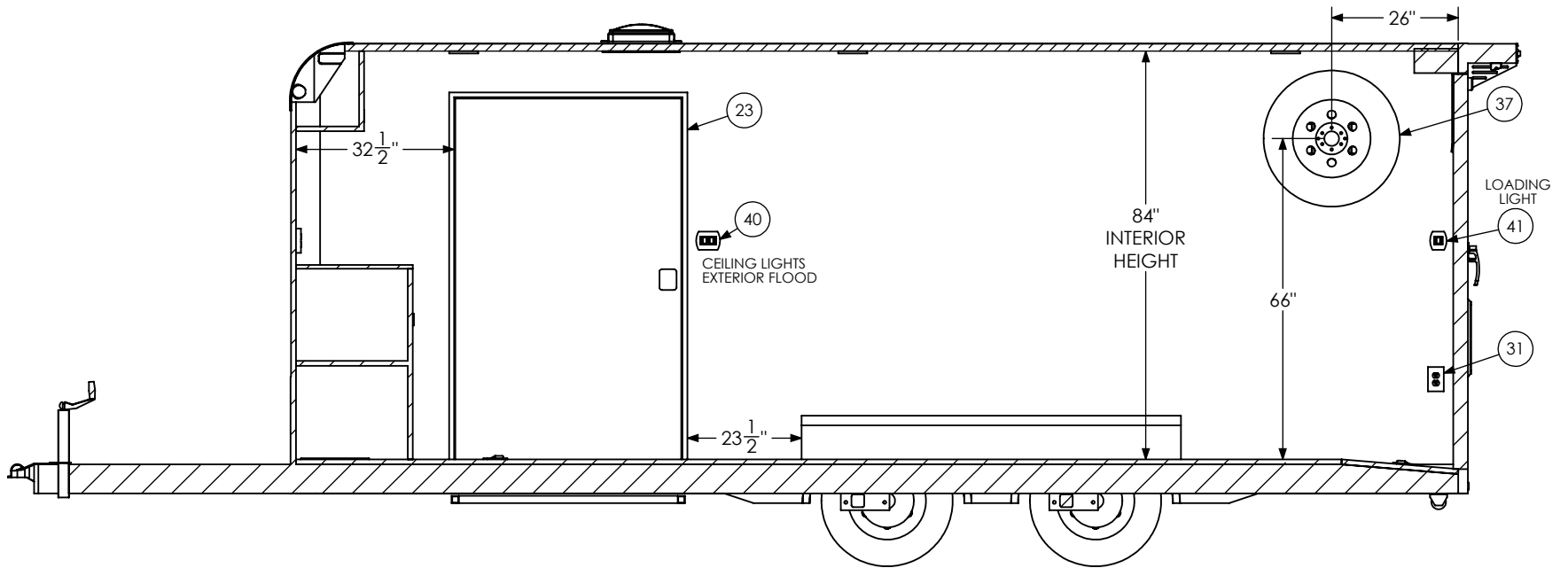


PROPRIETARY AND CONFIDENTIAL
 THE INFORMATION CONTAINED IN THIS DRAWING IS THE SOLE PROPERTY OF INTECH TRAILERS. ANY REPRODUCTION IN PART OR AS A WHOLE WITHOUT THE WRITTEN PERMISSION OF INTECH TRAILERS IS PROHIBITED.

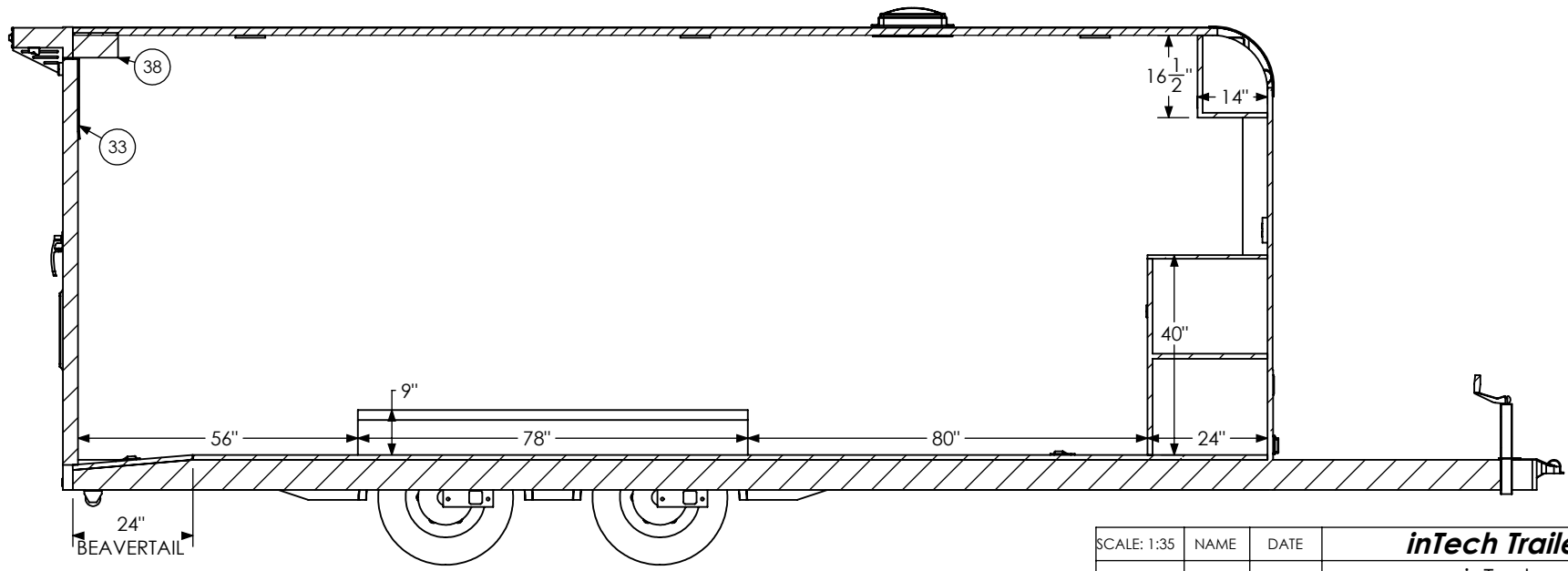
SCALE: 1:36	NAME	DATE
DRAWN	NjM	8/8/24

ALL DIMENSIONS ARE IN INCHES AND ARE NOMINAL. DIMENSIONS ON ACTUAL TRAILER MAY VARY FROM WHAT IS SHOWN ON PRINT BASED ON ACTUAL FRAMING AND TRAILER STRUCTURE. UNLESS NOTED AS CRITICAL

inTech Trailers		
inTech BTL8.5x20TA2 - STANDARD FLOORPLAN		
DWG. NO. BTL8.5x20TA2 Trailer Assembly - Standard	SHEET 2 OF 5	REV. M



INTERIOR CURB SIDE
SECTION A-A



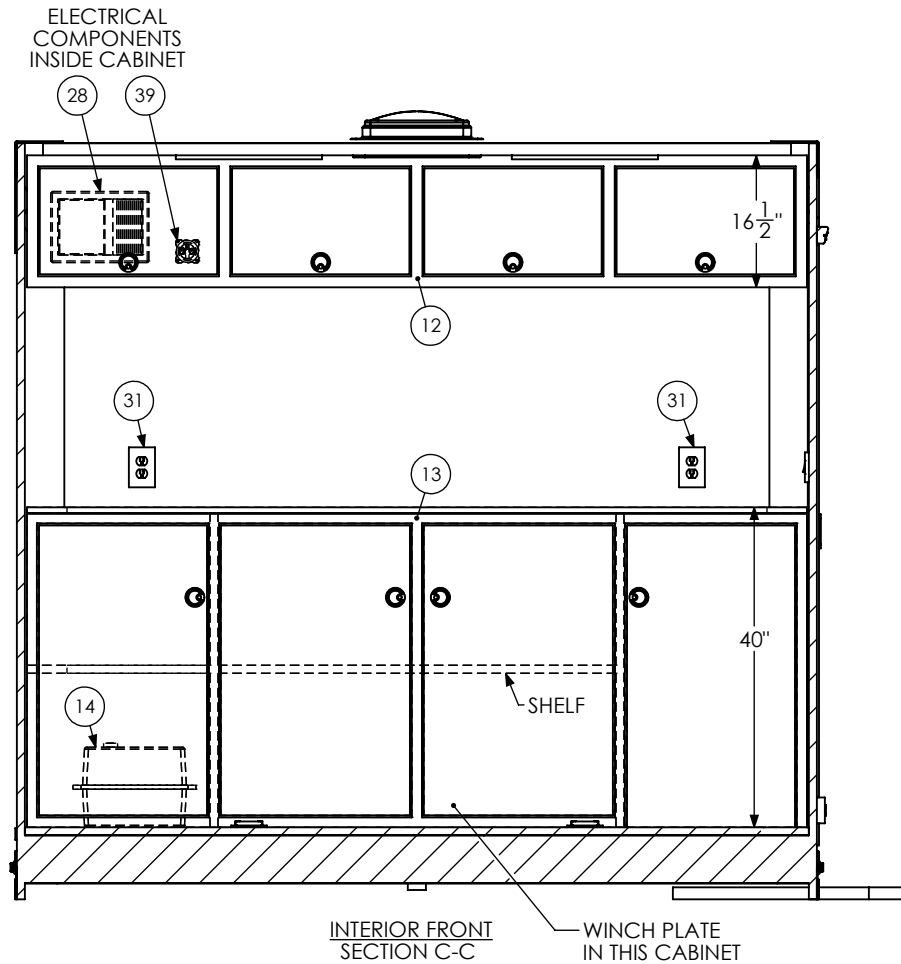
INTERIOR ROAD SIDE
SECTION B-B

SCALE: 1:35	NAME	DATE
DRAWN	NjM	8/8/24

ALL DIMENSIONS ARE IN INCHES AND ARE NOMINAL. DIMENSIONS ON ACTUAL TRAILER MAY VARY FROM WHAT IS SHOWN ON PRINT BASED ON ACTUAL FRAMING AND TRAILER STRUCTURE. UNLESS NOTED AS CRITICAL

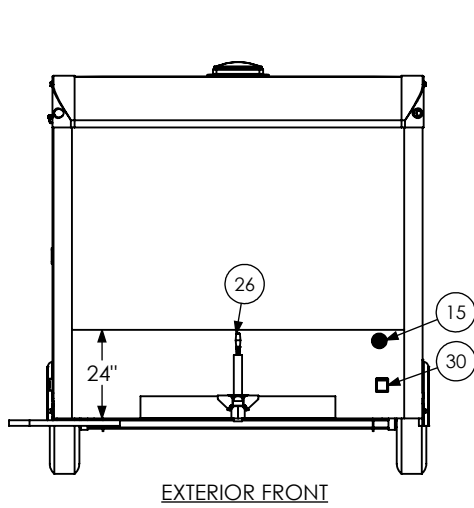
PROPRIETARY AND CONFIDENTIAL
THE INFORMATION CONTAINED IN THIS DRAWING IS THE SOLE PROPERTY OF INTECH TRAILERS. ANY REPRODUCTION IN PART OR AS A WHOLE WITHOUT THE WRITTEN PERMISSION OF INTECH TRAILERS IS PROHIBITED.

<i>inTech Trailers</i>		
inTech		
BTL8.5x20TA2 - STANDARD		
INTERIOR SIDES		
DWG. NO.	SHEET 3 OF 5	REV.
BTL8.5x20TA2 Trailer Assembly - Standard		M

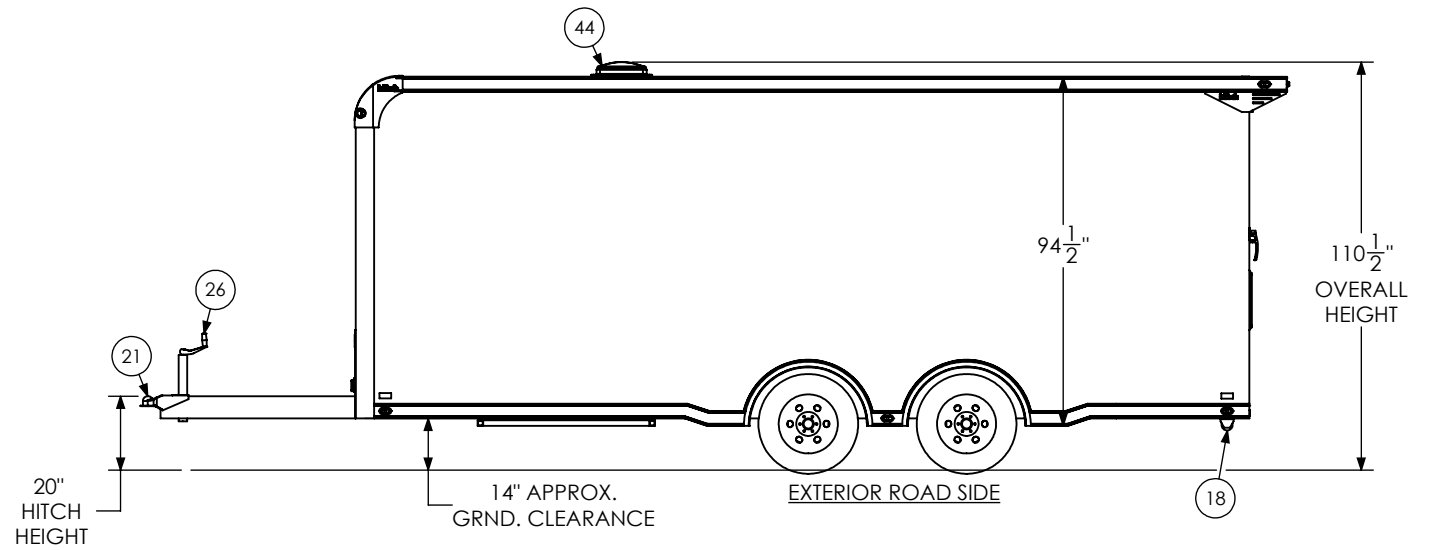


PROPRIETARY AND CONFIDENTIAL
 THE INFORMATION CONTAINED IN THIS DRAWING IS THE SOLE PROPERTY OF INTECH TRAILERS. ANY REPRODUCTION IN PART OR AS A WHOLE WITHOUT THE WRITTEN PERMISSION OF INTECH TRAILERS IS PROHIBITED.

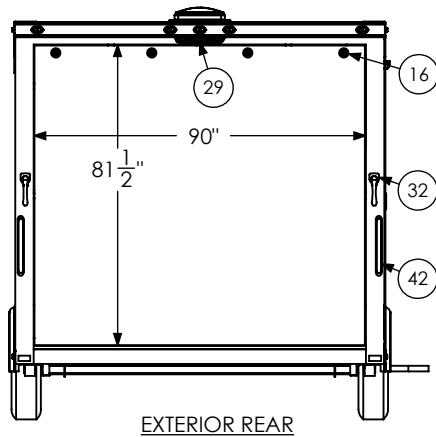
SCALE: 1:24	NAME	DATE	<i>inTech Trailers</i>	
DRAWN	NjM	8/8/24		
ALL DIMENSIONS ARE IN INCHES AND ARE NOMINAL. DIMENSIONS ON ACTUAL TRAILER MAY VARY FROM WHAT IS SHOWN ON PRINT BASED ON ACTUAL FRAMING AND TRAILER STRUCTURE. UNLESS NOTED AS CRITICAL			BTL8.5x20TA2 - STANDARD INTERIOR FRONT	
DWG. NO.		SHEET 4 OF 5		REV.
BTL8.5x20TA2 Trailer Assembly - Standard				M



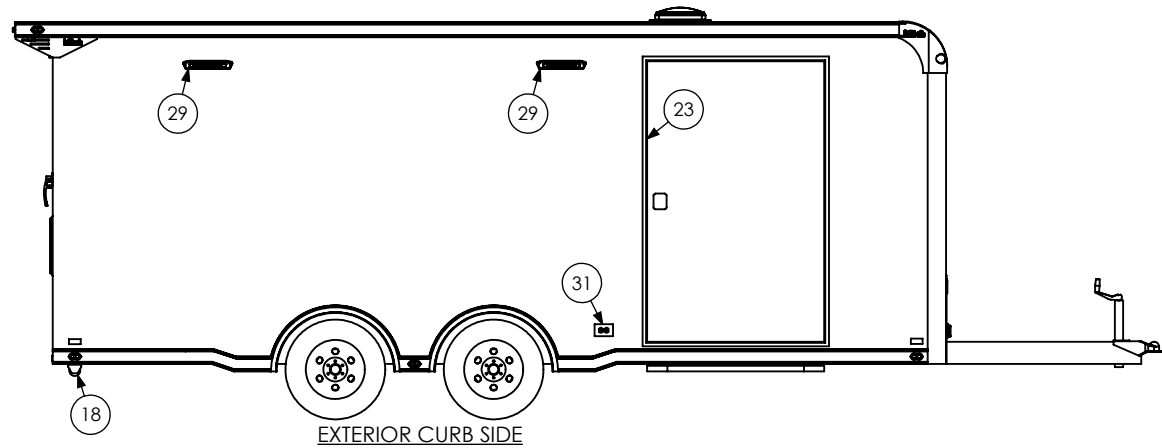
EXTERIOR FRONT



EXTERIOR ROAD SIDE



EXTERIOR REAR

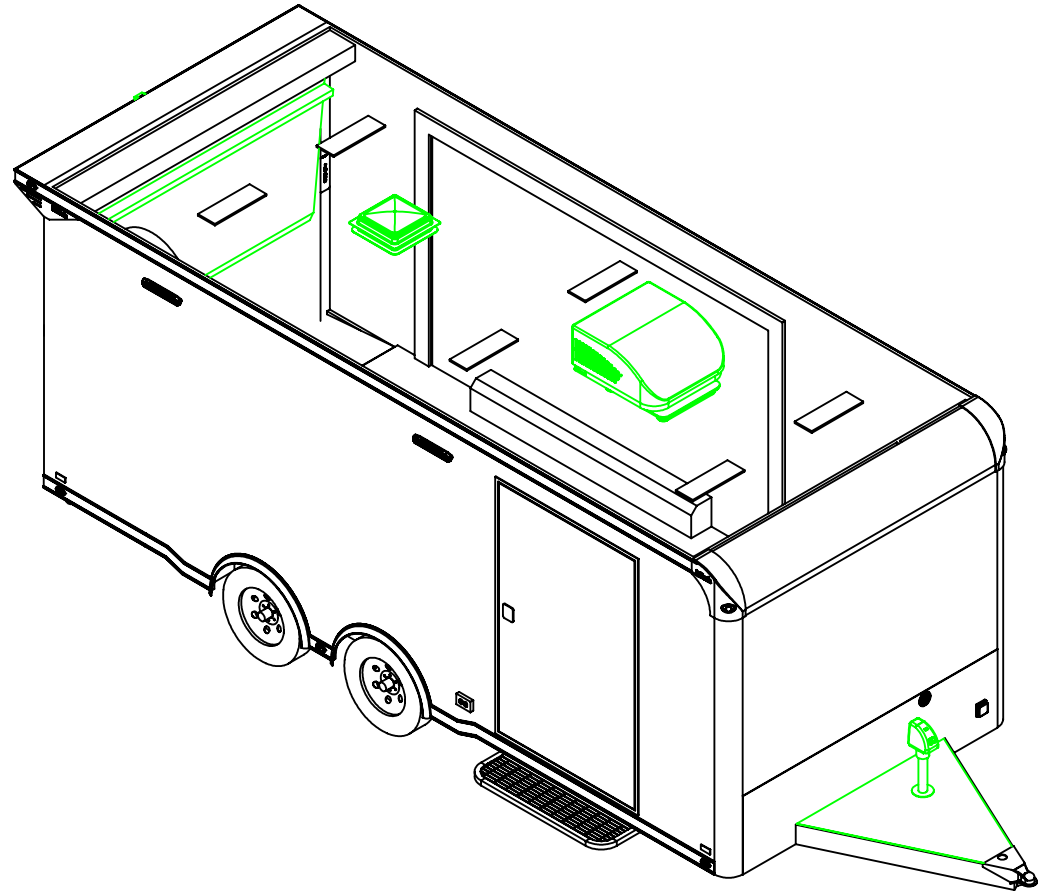


EXTERIOR CURB SIDE

SCALE: 1:52	NAME	DATE	<i>inTech Trailers</i>	
DRAWN	NjM	8/8/24	inTech BTL8.5x20TA2 - STANDARD EXTERIOR	
<small>ALL DIMENSIONS ARE IN INCHES AND ARE NOMINAL. DIMENSIONS ON ACTUAL TRAILER MAY VARY FROM WHAT IS SHOWN ON PRINT BASED ON ACTUAL FRAMING AND TRAILER STRUCTURE. UNLESS NOTED AS CRITICAL.</small>			DWG. NO.	REV.
			BTL8.5x20TA2 Trailer Assembly - Standard	SHEET 5 OF 5 M

PROPRIETARY AND CONFIDENTIAL
 THE INFORMATION CONTAINED IN THIS DRAWING IS THE SOLE PROPERTY OF INTECH TRAILERS. ANY REPRODUCTION IN PART OR AS A WHOLE WITHOUT THE WRITTEN PERMISSION OF INTECH TRAILERS IS PROHIBITED.

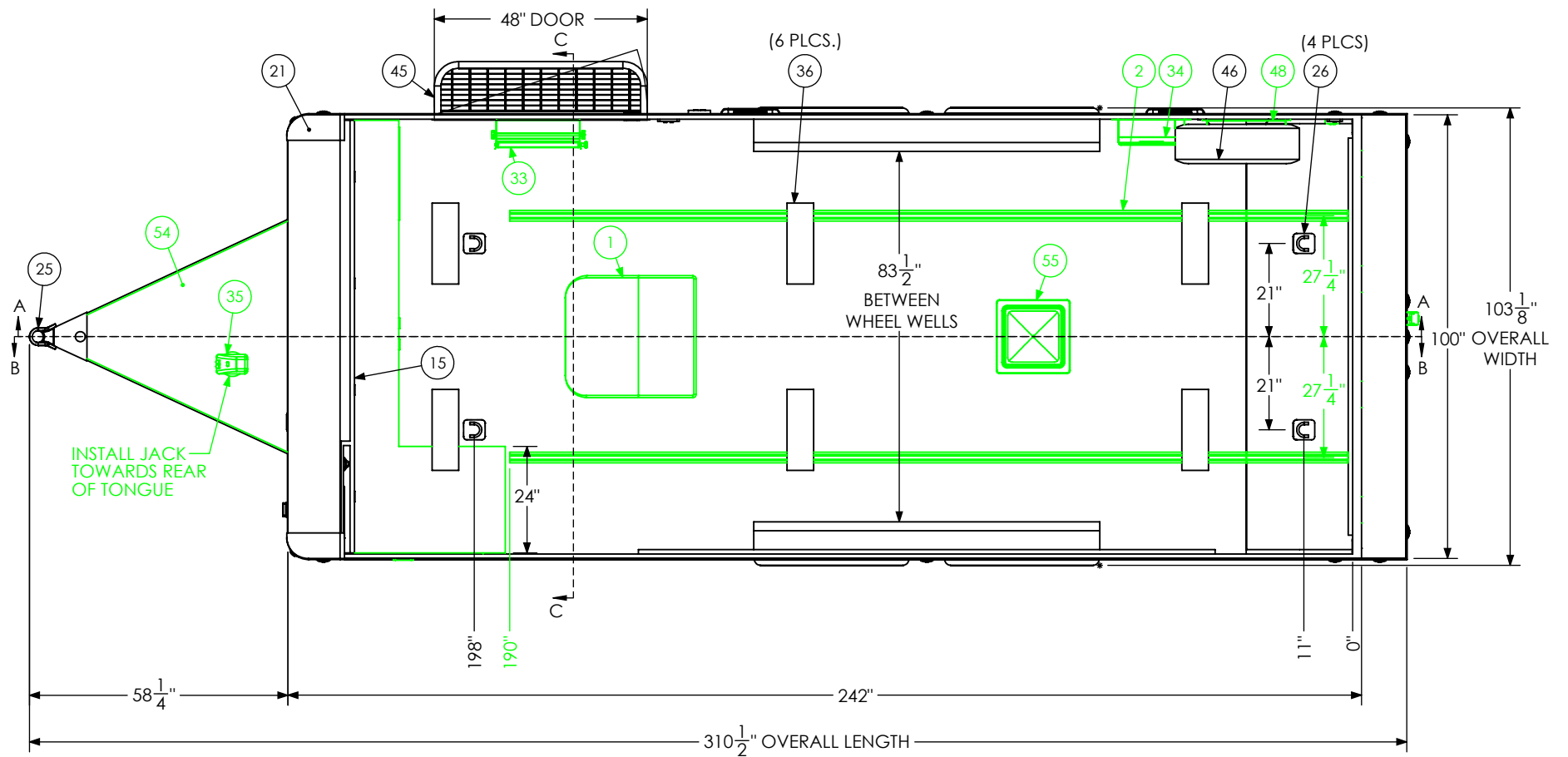
ITEM NO.	DESCRIPTION	NOTES	Options/QTY
1	Air Conditioner	13,500 BTU	1
2	Airline Track		2
3	Axle, Dexter	3500#, 0, 94HF, 78AB	2
14	BTL Cabinet, L-Base		1
15	BTL Cabinet, Overhead		1
16	Battery Box		1
17	Battery Vent		1
18	Bumpers	3"	1
19	Camera Transmitter		1
20	Camera, Backup		1
21	Cast Corners		1
22	Caster Wheel		2
25	Coupler	2 5/16" Ball, 14,000#	1
26	D-Ring	5,000	4
27	Door, Entrance	48" x 76" RHS	1
28	Door, Generator	36" x 36"	1
29	Drawer Insert	7 Drawer (inTech) 24"	1
32	Gen Slides - Lite Trailers		1
33	Door Caddy Intech		1
34	Jack in the Pouch Assembly		1
35	Jack, Power	3500#	1
37	Load Center	30 Amp L/C - 45 Amp Conv	1
38	Loading Light - LED	13.7" 12V Loading Light	3
39	Motorbase Plug	30 Amp	1
40	Outlet	120V 20 Amp	4
41	Paddle Latch		2
42	Ramp Extension	48" x 84"	1
45	Slide Out Step	48" Wide	1
46	Spare Tire Assembly		1
47	Spring Assist		1
48	Strap Hanger - Lite	18"	1
49	Switch	12v Cutoff	1
50	Switch	2 - 12V Switches	1
51	Switch	1 - 12V Switch	1
53	Tire	ST205/75R15	4
54	Tongue Cover - Lite		1
55	Vent, Roof		1
59	Winch Plate		1



SCALE: 1:48	NAME	DATE	inTech Trailers	
DRAWN	NjM	9/2/24	inTech BTL8.5x20TA2 - OPTIONS BOM	
DWG. NO.		SHEET 1 OF 5		REV.
BTL8.5x20TA2 Trailer Assembly - Options				L

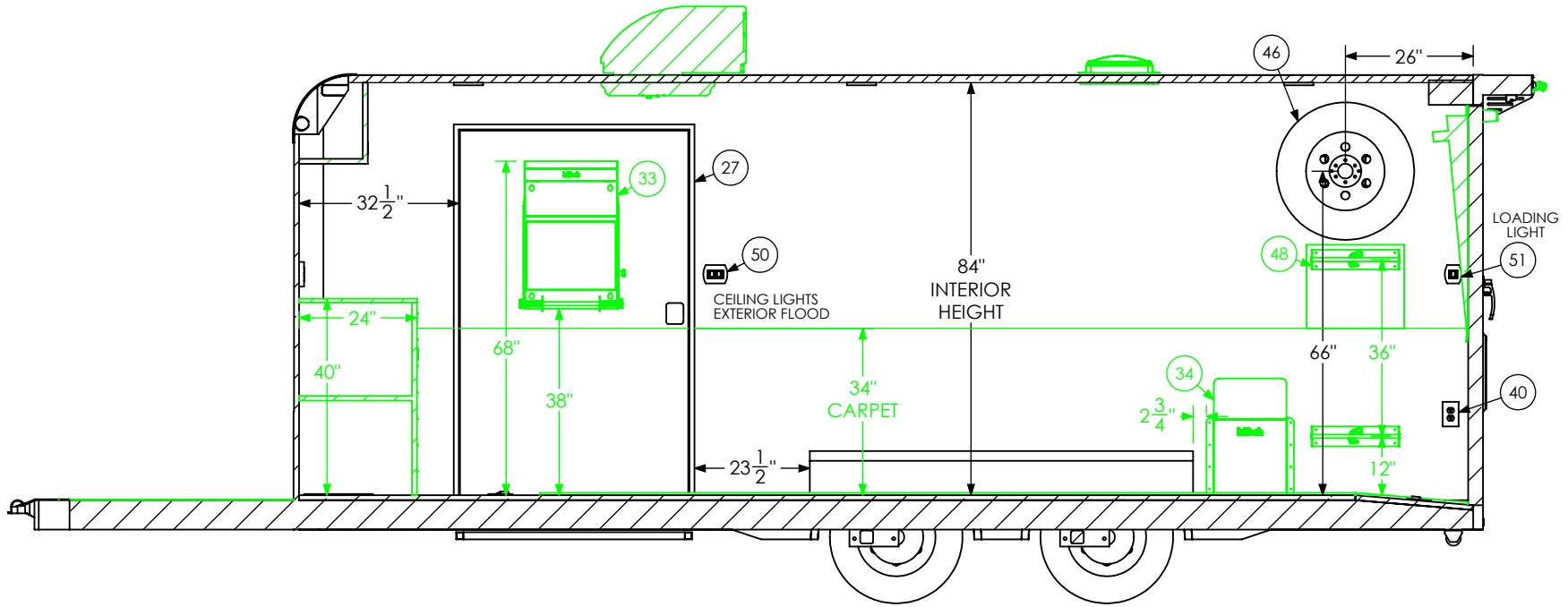
PROPRIETARY AND CONFIDENTIAL
 THE INFORMATION CONTAINED IN THIS DRAWING IS THE SOLE PROPERTY OF INTECH TRAILERS. ANY REPRODUCTION IN PART OR AS A WHOLE WITHOUT THE WRITTEN PERMISSION OF INTECH TRAILERS IS PROHIBITED.

ALL DIMENSIONS ARE IN INCHES AND ARE NOMINAL. DIMENSIONS ON ACTUAL TRAILER MAY VARY FROM WHAT IS SHOWN ON PRINT BASED ON ACTUAL FRAMING AND TRAILER STRUCTURE. UNLESS NOTED AS CRITICAL

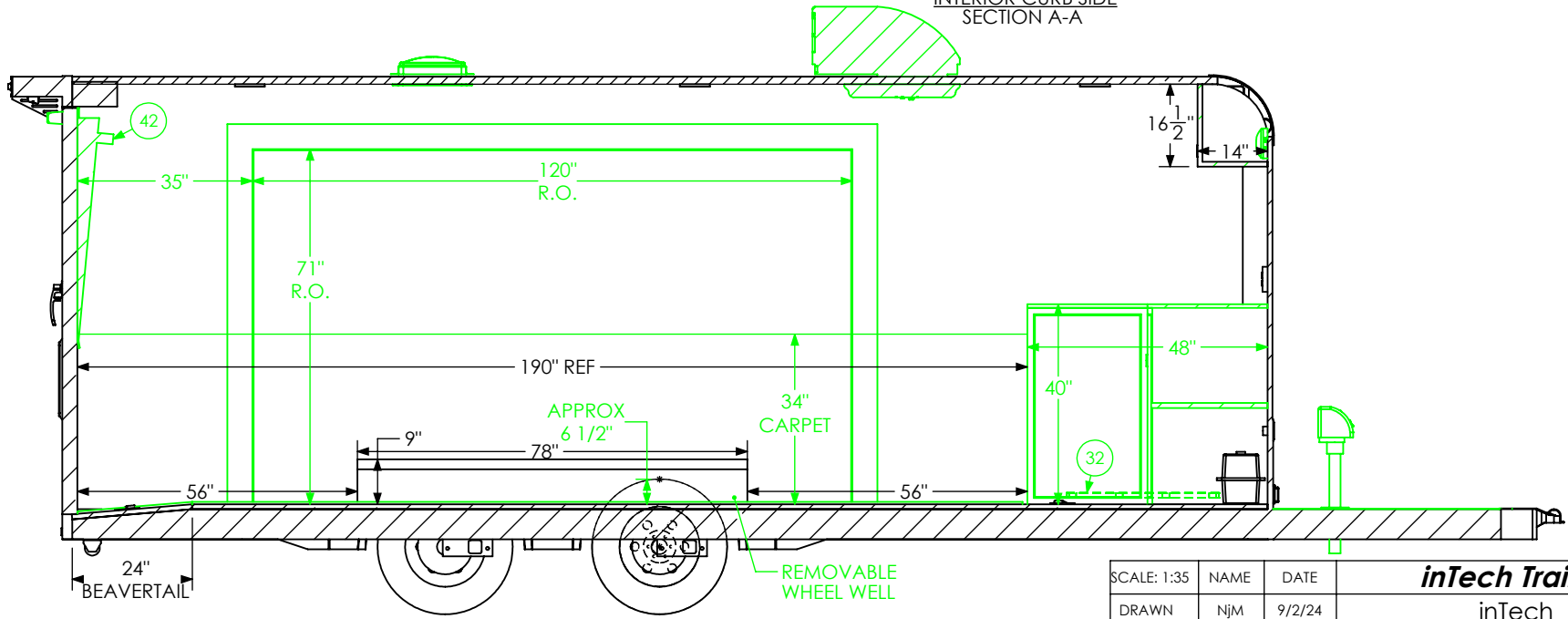


SCALE: 1:36	NAME	DATE	<i>inTech Trailers</i>	
DRAWN	NjM	9/2/24	inTech BTL8.5x20TA2 - OPTIONS FLOORPLAN	
<small>ALL DIMENSIONS ARE IN INCHES AND ARE NOMINAL. DIMENSIONS ON ACTUAL TRAILER MAY VARY FROM WHAT IS SHOWN ON PRINT BASED ON ACTUAL FRAMING AND TRAILER STRUCTURE. UNLESS NOTED AS CRITICAL.</small>			DWG. NO. BTL8.5x20TA2 Trailer Assembly - Options	REV. SHEET 2 OF 5 L

PROPRIETARY AND CONFIDENTIAL
 THE INFORMATION CONTAINED IN THIS DRAWING IS THE SOLE PROPERTY OF INTECH TRAILERS. ANY REPRODUCTION IN PART OR AS A WHOLE WITHOUT THE WRITTEN PERMISSION OF INTECH TRAILERS IS PROHIBITED.



INTERIOR CURB SIDE SECTION A-A

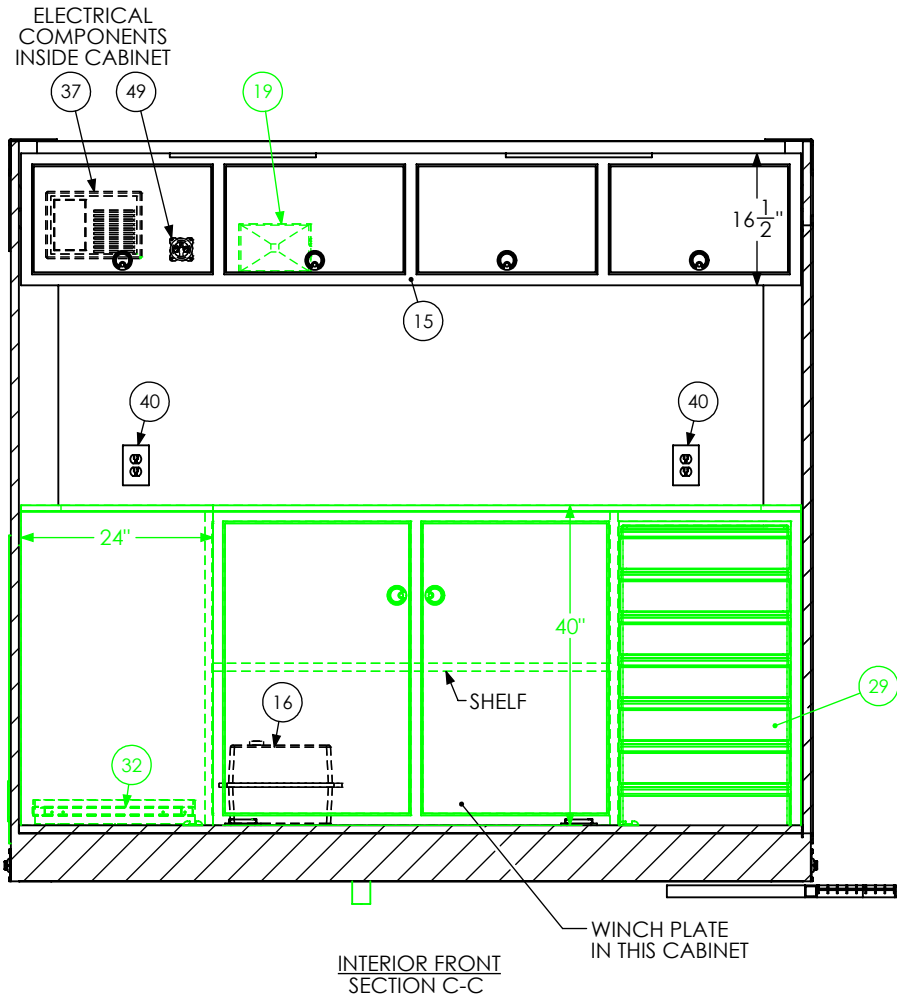


INTERIOR ROAD SIDE SECTION B-B

PROPRIETARY AND CONFIDENTIAL
 THE INFORMATION CONTAINED IN THIS DRAWING IS THE SOLE PROPERTY OF INTECH TRAILERS. ANY REPRODUCTION IN PART OR AS A WHOLE WITHOUT THE WRITTEN PERMISSION OF INTECH TRAILERS IS PROHIBITED.

SCALE: 1:35	NAME	DATE
DRAWN	NjM	9/2/24
ALL DIMENSIONS ARE IN INCHES AND ARE NOMINAL. DIMENSIONS ON ACTUAL TRAILER MAY VARY FROM WHAT IS SHOWN ON PRINT BASED ON ACTUAL FRAMING AND TRAILER STRUCTURE. UNLESS NOTED AS CRITICAL.		

inTech Trailers		
inTech BTL8.5x20TA2 - OPTIONS INTERIOR SIDES		
DWG. NO. BTL8.5x20TA2 Trailer Assembly - Options	SHEET 3 OF 5	REV. L

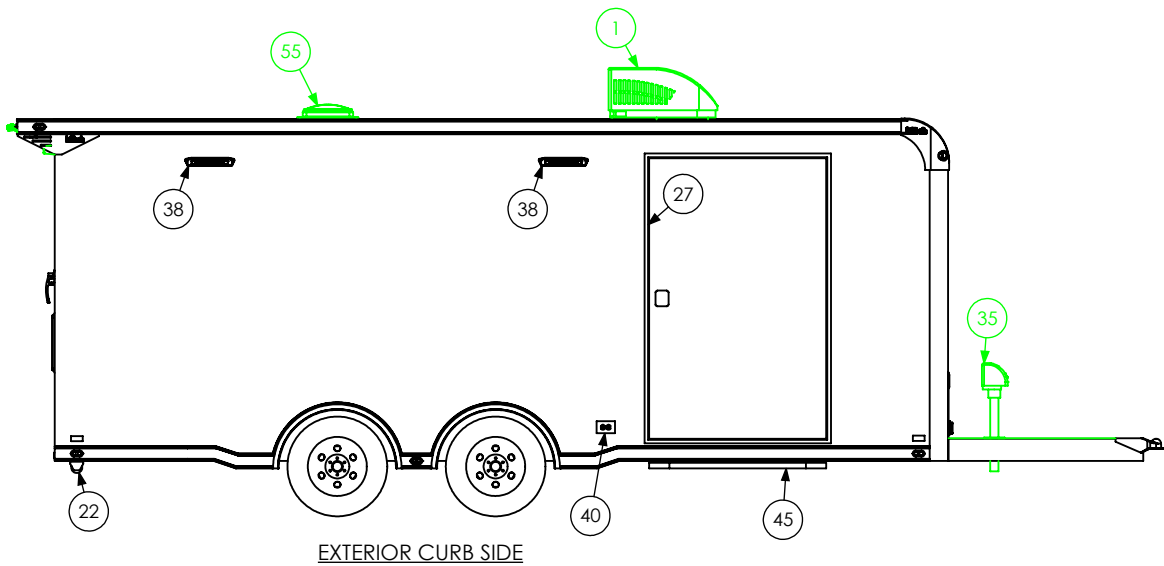
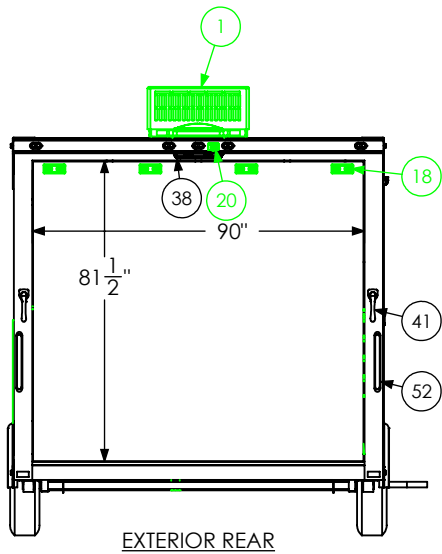
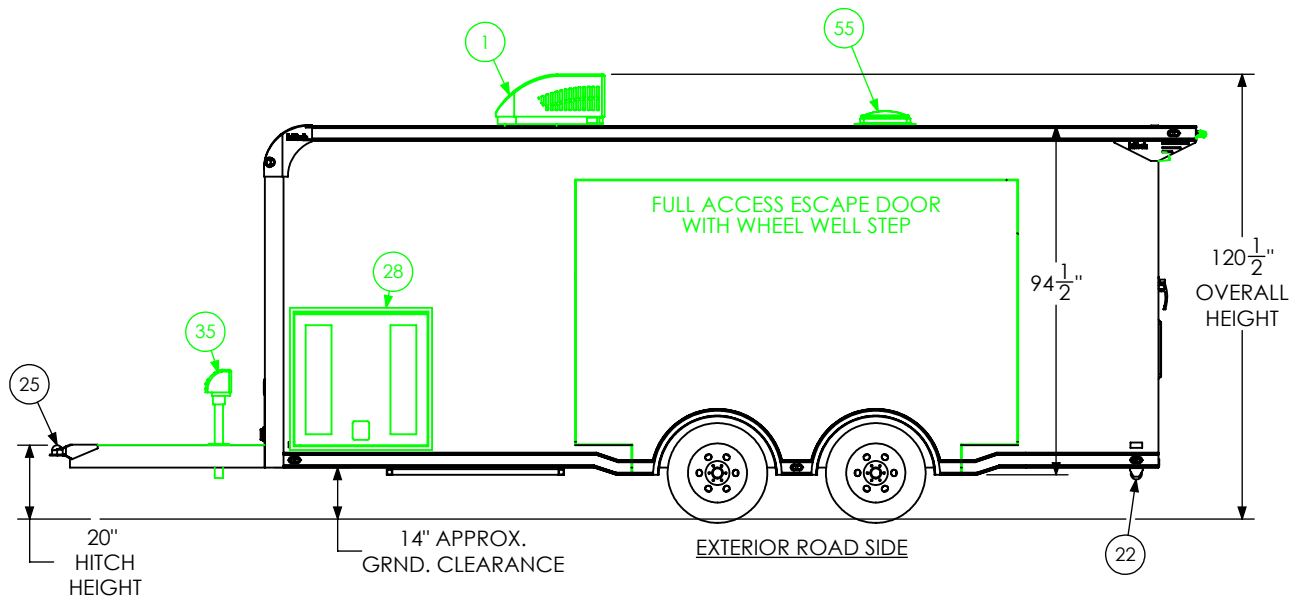
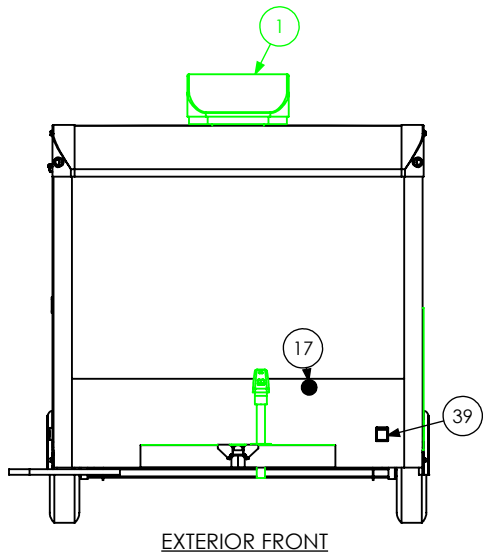


PROPRIETARY AND CONFIDENTIAL
 THE INFORMATION CONTAINED IN THIS DRAWING IS THE SOLE PROPERTY OF INTECH TRAILERS. ANY REPRODUCTION IN PART OR AS A WHOLE WITHOUT THE WRITTEN PERMISSION OF INTECH TRAILERS IS PROHIBITED.

SCALE: 1:24	NAME	DATE
DRAWN	NjM	9/2/24

ALL DIMENSIONS ARE IN INCHES AND ARE NOMINAL. DIMENSIONS ON ACTUAL TRAILER MAY VARY FROM WHAT IS SHOWN ON PRINT BASED ON ACTUAL FRAMING AND TRAILER STRUCTURE. UNLESS NOTED AS CRITICAL

<i>inTech Trailers</i>		
inTech BTL8.5x20TA2 - OPTIONS INTERIOR FRONT		
DWG. NO. BTL8.5x20TA2 Trailer Assembly - Options	SHEET 4 OF 5	REV. L



PROPRIETARY AND CONFIDENTIAL
 THE INFORMATION CONTAINED IN THIS DRAWING IS THE SOLE PROPERTY OF INTECH TRAILERS. ANY REPRODUCTION IN PART OR AS A WHOLE WITHOUT THE WRITTEN PERMISSION OF INTECH TRAILERS IS PROHIBITED.

SCALE: 1:52	NAME	DATE
DRAWN	NjM	9/2/24
ALL DIMENSIONS ARE IN INCHES AND ARE NOMINAL. DIMENSIONS ON ACTUAL TRAILER MAY VARY FROM WHAT IS SHOWN ON PRINT BASED ON ACTUAL FRAMING AND TRAILER STRUCTURE. UNLESS NOTED AS CRITICAL.		

inTech Trailers		
inTech BTL8.5x20TA2 - OPTIONS EXTERIOR		
DWG. NO.	SHEET 5 OF 5	REV.
BTL8.5x20TA2 Trailer Assembly - Options	L	L