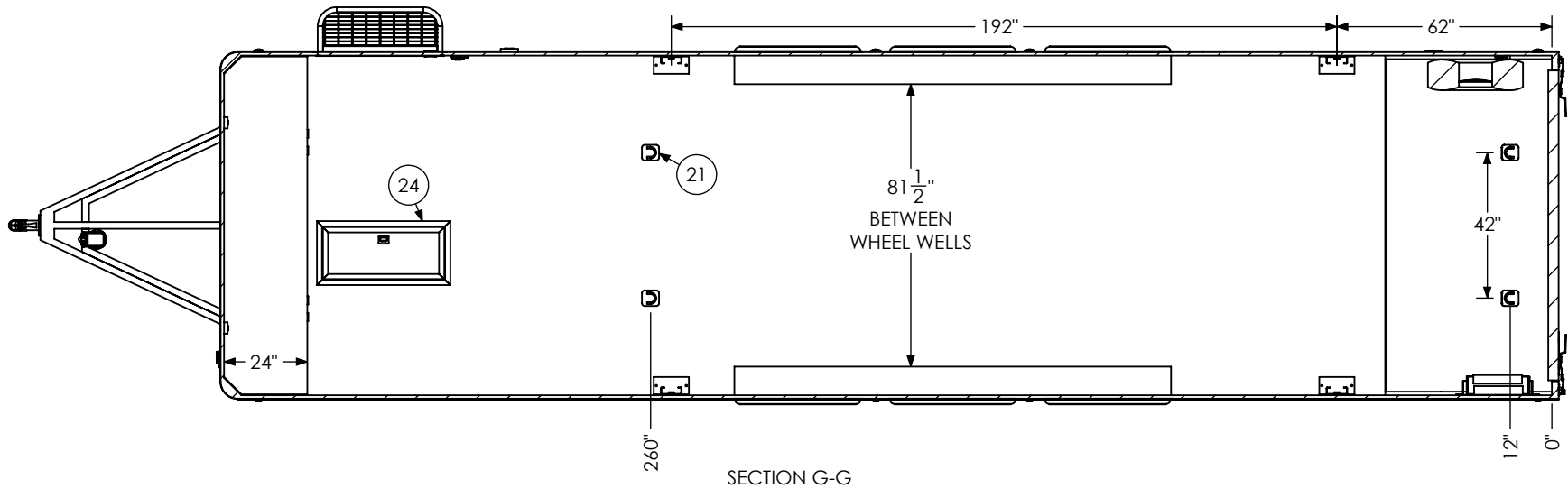
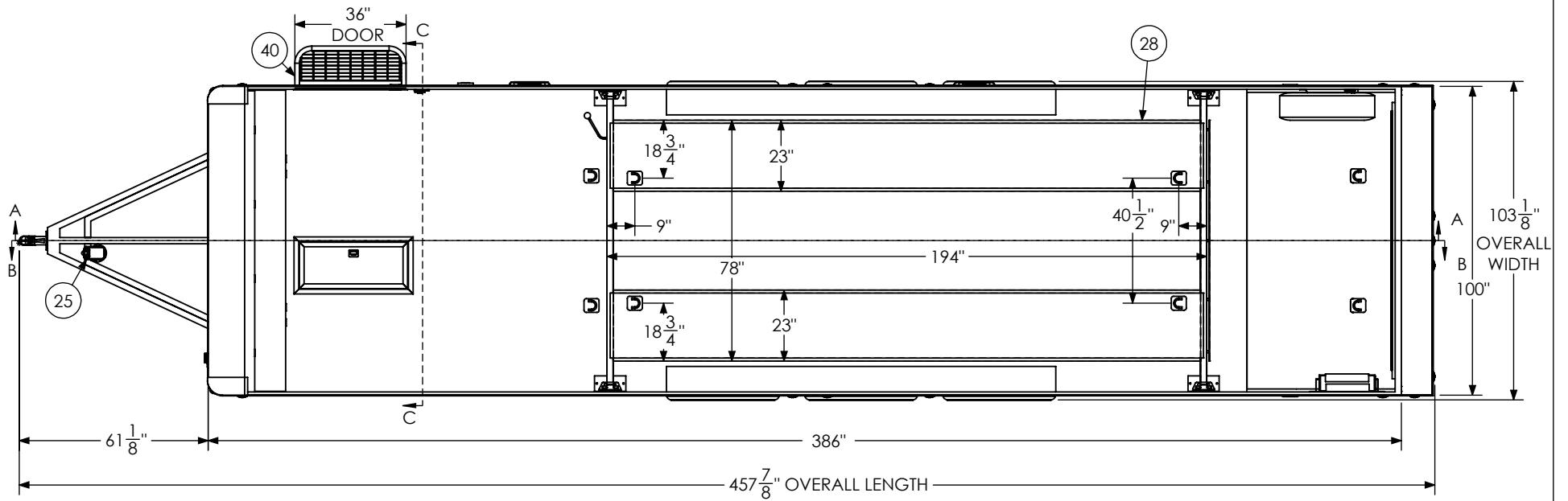


ITEM NO.	FILE NAME	DESCRIPTION	QTY.
1	Axle, Dexter	7000#, 22.5 UP, 93HF, 78AB T	3
8	BSL Cabinet, Overhead		1
9	BSL Cabinet, Straight Base		1
10	Bar Lock		2
11	Battery Box		1
12	Battery Vent		1
13	Bumpers	1"	1
14	Cast Corners		1
15	Caster Wheel		2
17	Clearance Light	Red Lens	11
18	Coupler - Flat Nose	25K - Bulldog	1
19	Cove - BSL		2
20	Cover, Spring Assist		1
21	D-Ring	5,000	8
22	Door, Entrance	36" x 78"	1
24	In-Floor Compartment	Hydraulics Box (14"x34")	1
25	Jack, Power	4500#	1
26	Jack, Rear Stabilizer		2
27	LICENSE PLATE BRACKET		1
28	Lift Assembly SS -BSL	16'	1
29	Lift Ramp Storage Assembly		1
30	Light	18" 12v LED	6
31	Light, License Plate		1
32	Load Center	30 Amp L/C - 60 Amp Conv	1
33	Loading Light - LED	13.7" 12V Loading Light	3
34	Motorbase Plug	30 Amp	1
35	Outlet	120V 20 Amp	4
36	Outlet	Lift Control Plug	1
37	Ramp Extension	16" Transition Flap	1
40	Slide Out Step	36" Wide	1
41	Spare Tire Assembly		1
42	Switch	12v Cutoff	1
43	Switch	2 - 12V Switches	1
44	Switch	1 - 12V Switch	1
45	Tail Light	Slimline	4
46	Tire	ST235/85R16	6

SCALE: 1:60	NAME	DATE	<i>inTech Trailers</i> inTech - Lite Stacker BSL8.5x32TTA5 - STANDARD BOM	
DRAWN	NjM	3/2/23		
<small>ALL DIMENSIONS ARE IN INCHES AND ARE NOMINAL. DIMENSIONS ON ACTUAL TRAILER MAY VARY FROM WHAT IS SHOWN ON PRINT BASED ON ACTUAL FRAMING AND TRAILER STRUCTURE. UNLESS NOTED AS CRITICAL</small>			DWG. NO.	REV.
			<small>SHEET 1 OF 5</small> BSL8.5x32TTA Trailer Assembly - Standard C	

PROPRIETARY AND CONFIDENTIAL
 THE INFORMATION CONTAINED IN THIS DRAWING IS THE SOLE PROPERTY OF INTECH TRAILERS. ANY REPRODUCTION IN PART OR AS A WHOLE WITHOUT THE WRITTEN PERMISSION OF INTECH TRAILERS IS PROHIBITED.



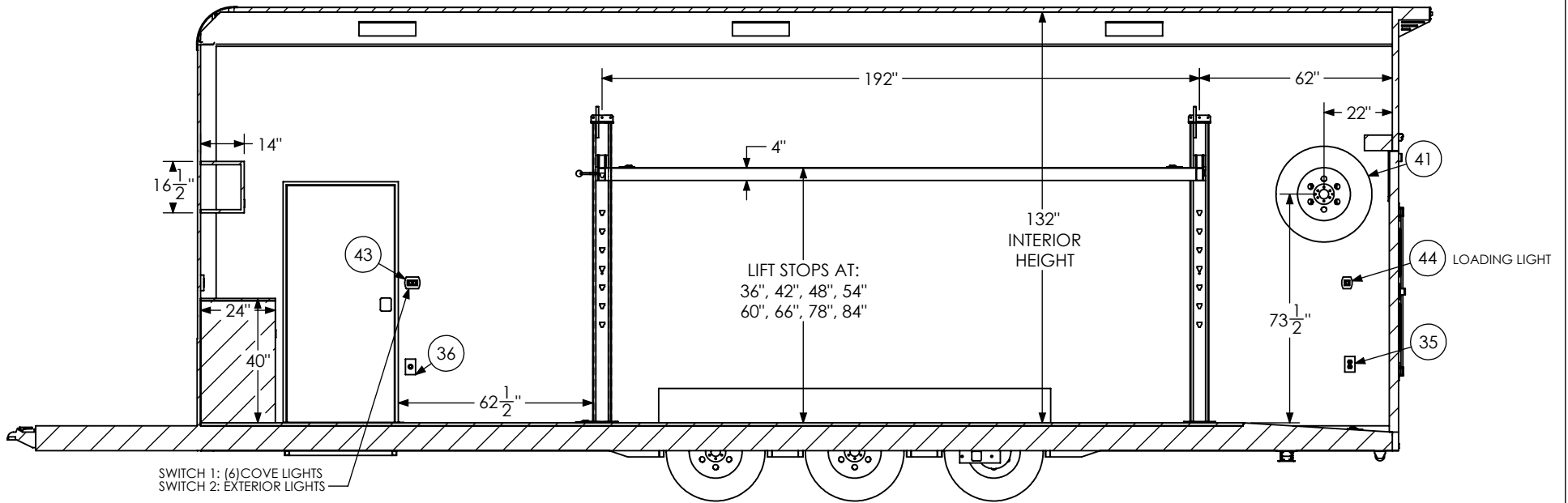
SECTION G-G

SCALE: 1:50	NAME	DATE
DRAWN	NjM	3/2/23

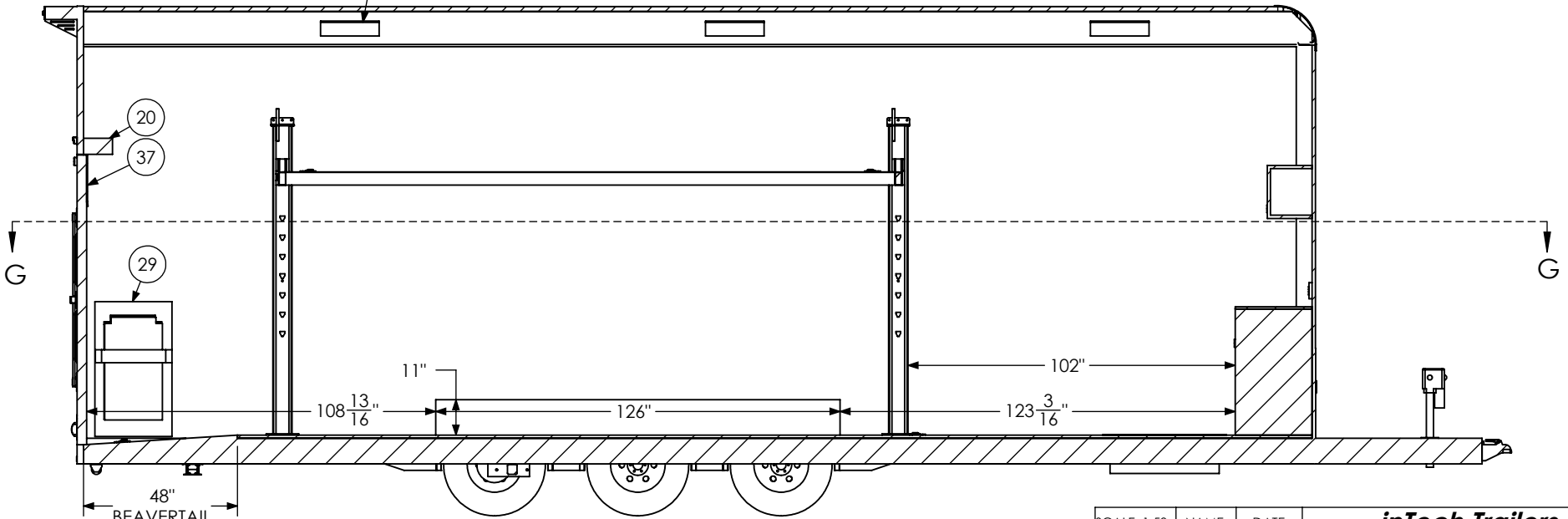
ALL DIMENSIONS ARE IN INCHES AND ARE NOMINAL. DIMENSIONS ON ACTUAL TRAILER MAY VARY FROM WHAT IS SHOWN ON PRINT BASED ON ACTUAL FRAMING AND TRAILER STRUCTURE. UNLESS NOTED AS CRITICAL

PROPRIETARY AND CONFIDENTIAL
THE INFORMATION CONTAINED IN THIS DRAWING IS THE SOLE PROPERTY OF INTECH TRAILERS. ANY REPRODUCTION IN PART OR AS A WHOLE WITHOUT THE WRITTEN PERMISSION OF INTECH TRAILERS IS PROHIBITED.

<i>inTech Trailers</i>		
inTech - Lite Stacker BSL8.5x32TTA5 - STANDARD FLOORPLAN		
DWG. NO. BSL8.5x32TTA Trailer Assembly - Standard	SHEET 2 OF 5	REV. C



INTERIOR CURB SIDE SECTION A-A



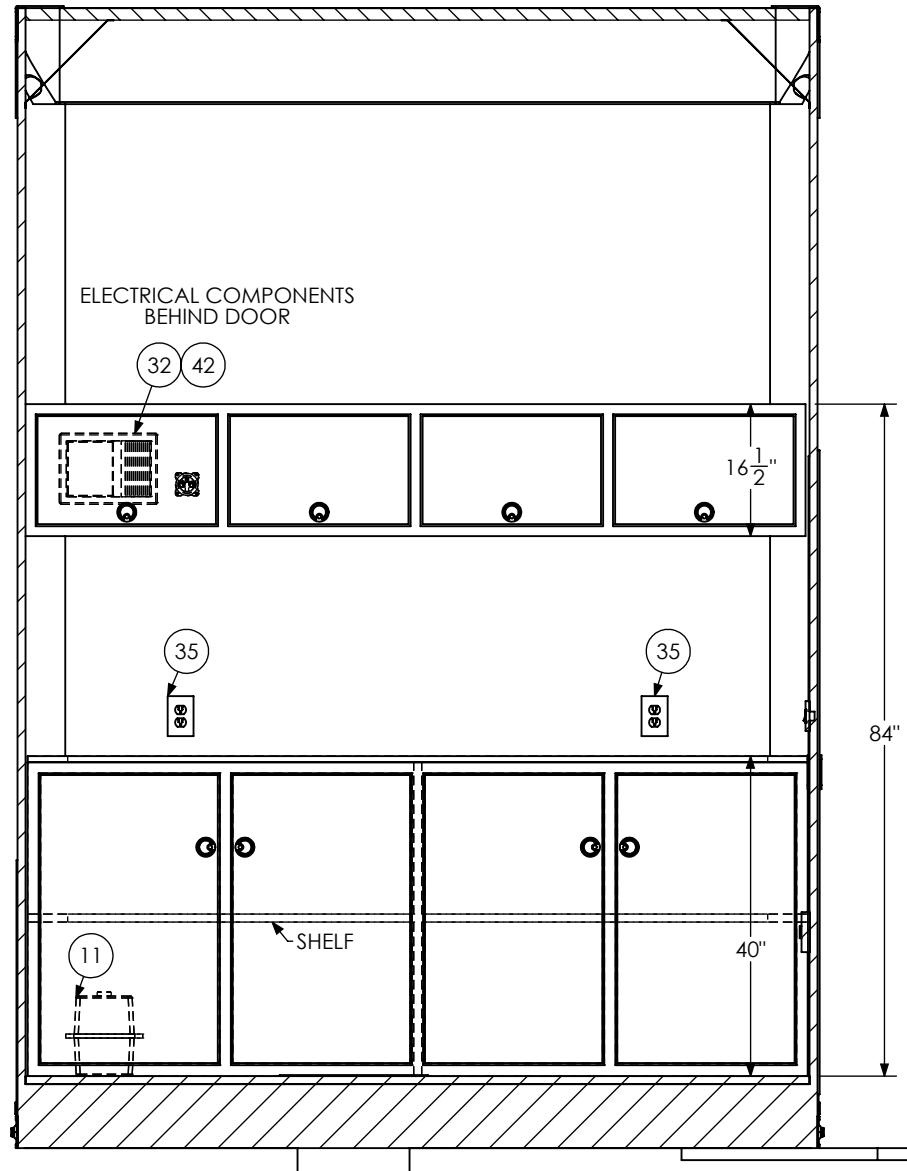
INTERIOR ROAD SIDE SECTION B-B

SWITCH 1: (6) COVE LIGHTS
SWITCH 2: EXTERIOR LIGHTS

PROPRIETARY AND CONFIDENTIAL
THE INFORMATION CONTAINED IN THIS DRAWING IS THE SOLE PROPERTY OF INTECH TRAILERS. ANY REPRODUCTION IN PART OR AS A WHOLE WITHOUT THE WRITTEN PERMISSION OF INTECH TRAILERS IS PROHIBITED.

SCALE: 1:50	NAME	DATE
DRAWN	NjM	3/2/23
ALL DIMENSIONS ARE IN INCHES AND ARE NOMINAL. DIMENSIONS ON ACTUAL TRAILER MAY VARY FROM WHAT IS SHOWN ON PRINT BASED ON ACTUAL FRAMING AND TRAILER STRUCTURE. UNLESS NOTED AS CRITICAL.		

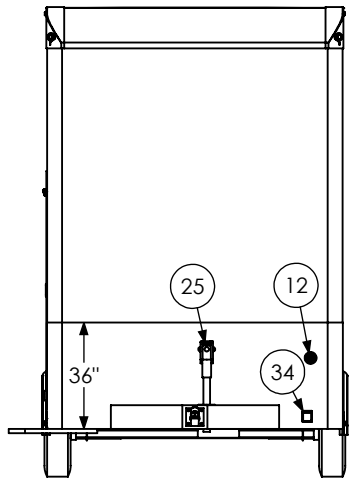
<i>inTech Trailers</i>		
inTech - Lite Stacker		
BSL8.5x32TTA5 - STANDARD		
INTERIOR SIDES		
DWG. NO.	SHEET 3 OF 5	REV.
BSL8.5x32TTA Trailer Assembly - Standard		C



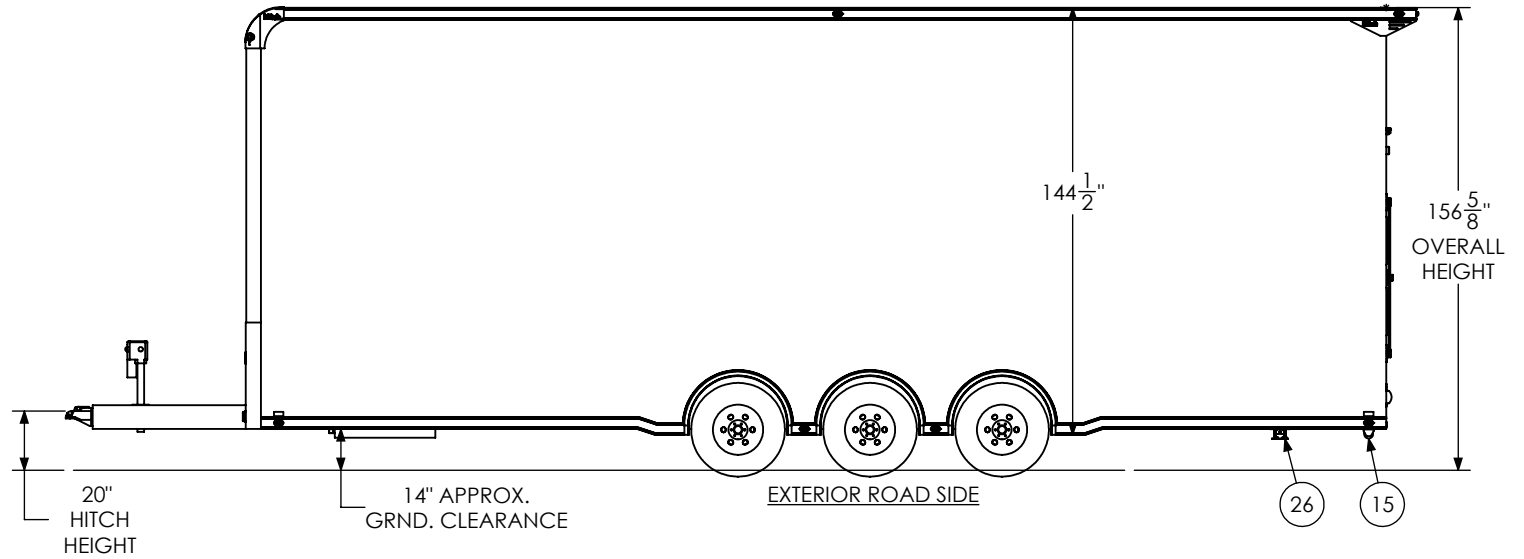
INTERIOR FRONT
SECTION C-C

PROPRIETARY AND CONFIDENTIAL
THE INFORMATION CONTAINED IN THIS DRAWING IS THE SOLE PROPERTY OF INTECH TRAILERS. ANY REPRODUCTION IN PART OR AS A WHOLE WITHOUT THE WRITTEN PERMISSION OF INTECH TRAILERS IS PROHIBITED.

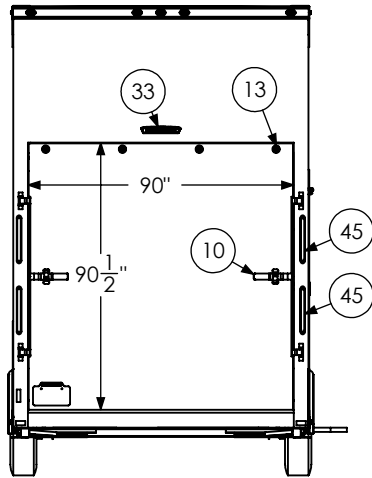
SCALE: 1:24	NAME	DATE	<i>inTech Trailers</i> inTech - Lite Stacker BSL8.5x32TTA5 - STANDARD INTERIOR FRONT	
DRAWN	NjM	3/2/23		
ALL DIMENSIONS ARE IN INCHES AND ARE NOMINAL. DIMENSIONS ON ACTUAL TRAILER MAY VARY FROM WHAT IS SHOWN ON PRINT BASED ON ACTUAL FRAMING AND TRAILER STRUCTURE. UNLESS NOTED AS CRITICAL			DWG. NO.	REV.
			BSL8.5x32TTA Trailer Assembly - Standard	SHEET 4 OF 5 C



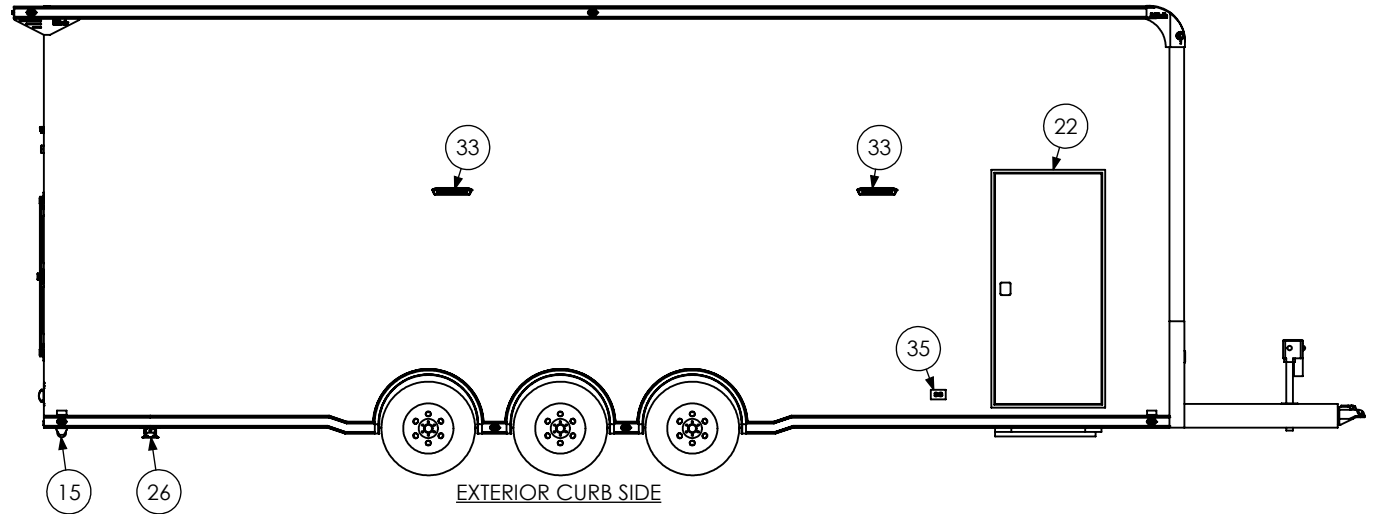
EXTERIOR FRONT



EXTERIOR ROAD SIDE



EXTERIOR REAR



EXTERIOR CURB SIDE

PROPRIETARY AND CONFIDENTIAL
 THE INFORMATION CONTAINED IN THIS DRAWING IS THE SOLE PROPERTY OF INTECH TRAILERS. ANY REPRODUCTION IN PART OR AS A WHOLE WITHOUT THE WRITTEN PERMISSION OF INTECH TRAILERS IS PROHIBITED.

SCALE: 1:65	NAME	DATE
DRAWN	NjM	3/2/23

ALL DIMENSIONS ARE IN INCHES AND ARE NOMINAL. DIMENSIONS ON ACTUAL TRAILER MAY VARY FROM WHAT IS SHOWN ON PRINT BASED ON ACTUAL FRAMING AND TRAILER STRUCTURE. UNLESS NOTED AS CRITICAL

<i>inTech Trailers</i>		
inTech - Lite Stacker BSL8.5x32TTA5 - STANDARD EXTERIOR		
DWG. NO.	SHEET 5 OF 5	REV.
BSL8.5x32TTA Trailer Assembly - Standard		C