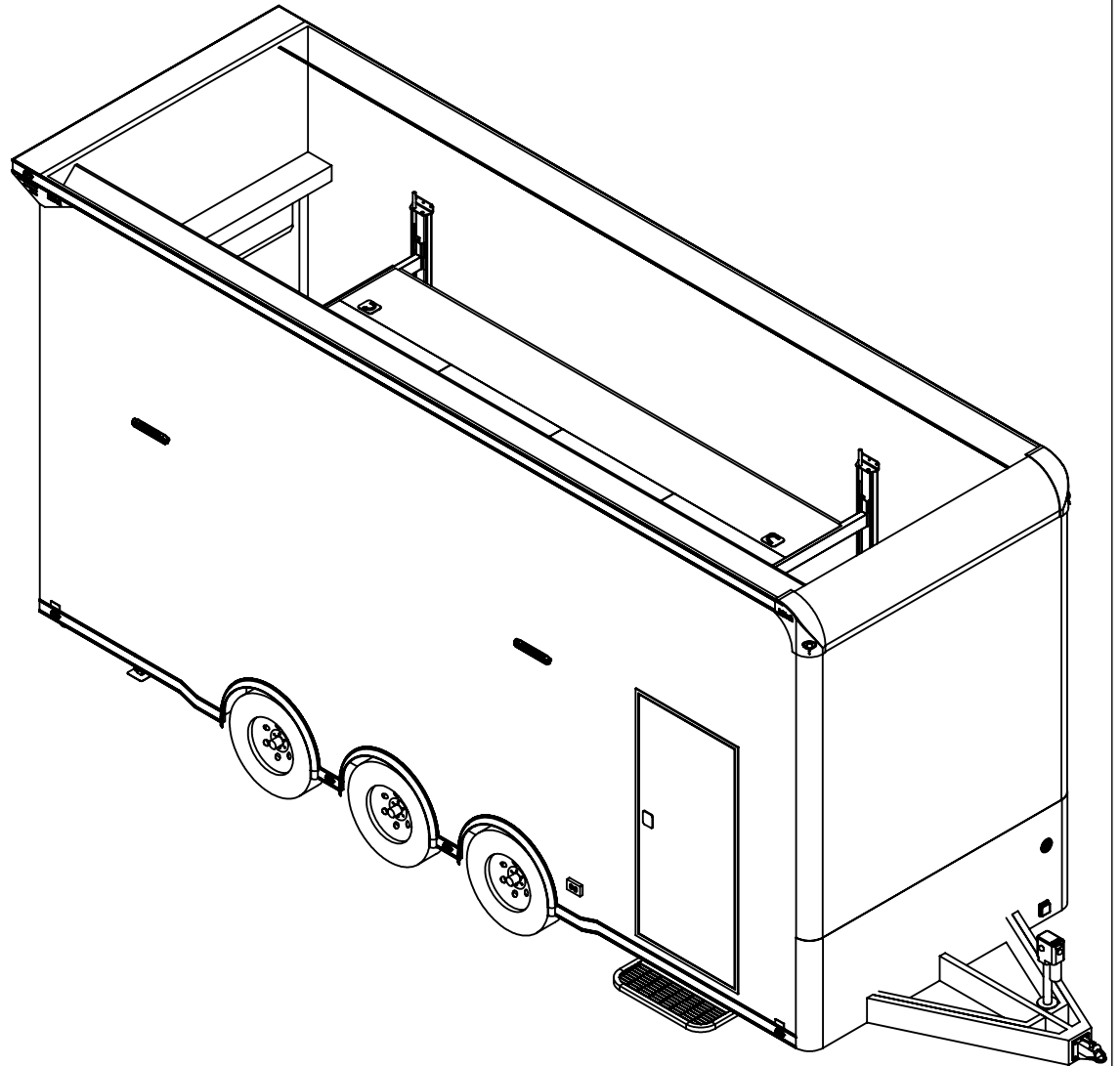
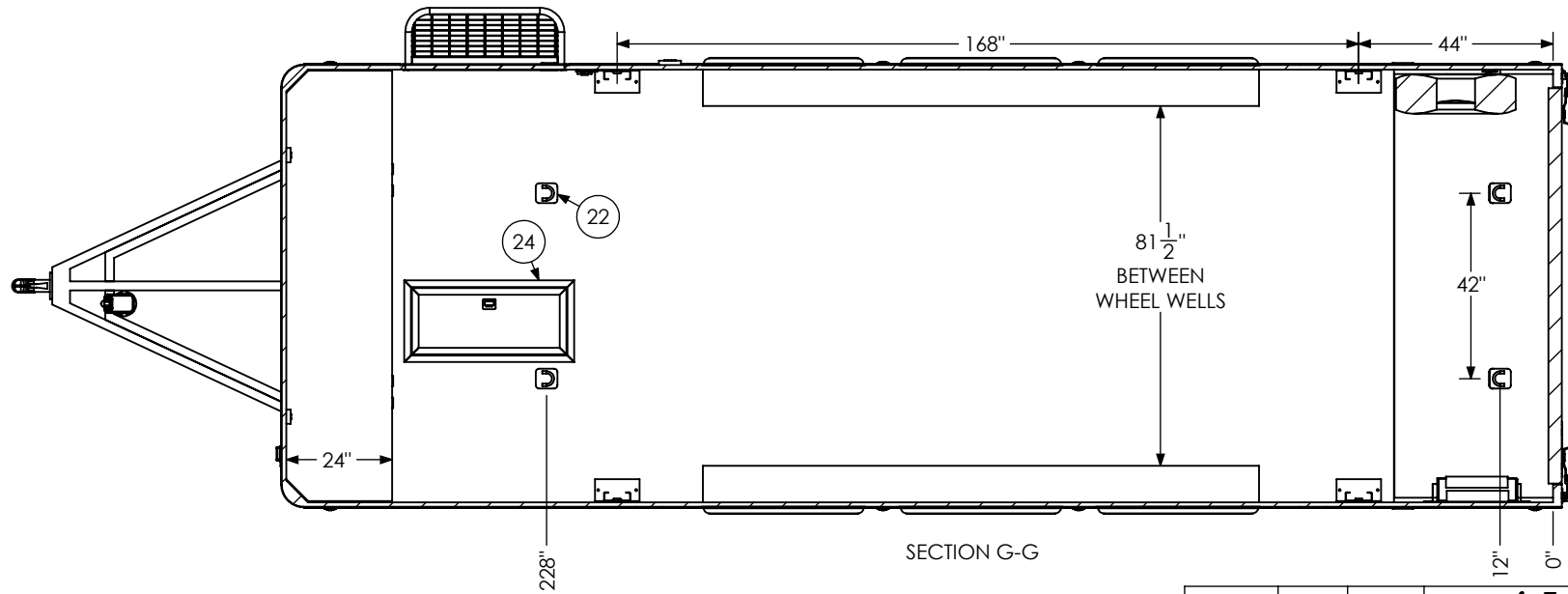
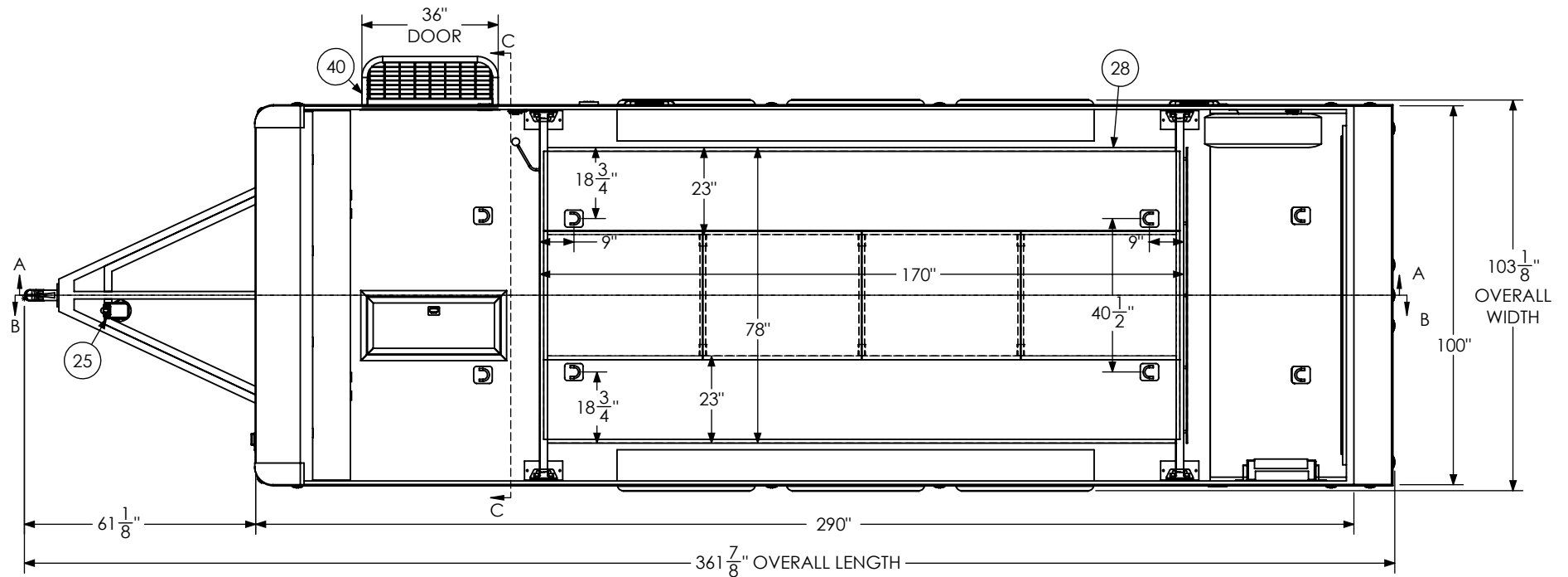


ITEM NO.	FILE NAME	DESCRIPTION	QTY.
1	Axle, Dexter	6000#, 22.5 UP, 93HF, 78AB T	3
10	BSL Cabinet, Overhead		1
11	BSL Cabinet, Straight Base		1
12	Bar Lock		2
13	Battery Box		1
14	Battery Vent		1
15	Bumpers	1"	1
16	Cast Corners		1
17	Caster Wheel		2
19	Clearance Light	Red Lens	9
20	Coupler - Flat Nose	25K - Bulldog	1
21	Cover, Spring Assist		1
22	D-Ring	5,000	8
23	Door, Entrance	36" x 78"	1
24	In-Floor Compartment	Hydraulics Box (14"x34")	1
25	Jack, Power	4500#	1
26	Jack, Rear Stabilizer		2
27	LICENSE PLATE BRACKET		1
28	Lift Assembly SS -BSL	14'	1
29	Lift Ramp Storage Assembly		1
30	Light	18" 12v LED	6
31	Light, License Plate		1
32	Load Center	30 Amp L/C - 60 Amp Conv	1
33	Loading Light - LED	13.7" 12V Loading Light	3
34	Motorbase Plug	30 Amp	1
35	Outlet	120V 20 Amp	4
36	Outlet	Lift Control Plug	1
37	Ramp Extension	16" Transition Flap	1
39	Reflector	Amber	2
40	Slide Out Step	36" Wide	1
41	Spare Tire Assembly		1
42	Switch	12v Cutoff	1
43	Switch	2 - 12V Switches	1
44	Switch	1 - 12V Switch	1
45	Tail Light	Slimline	4
46	Tire	ST235/80R16	6



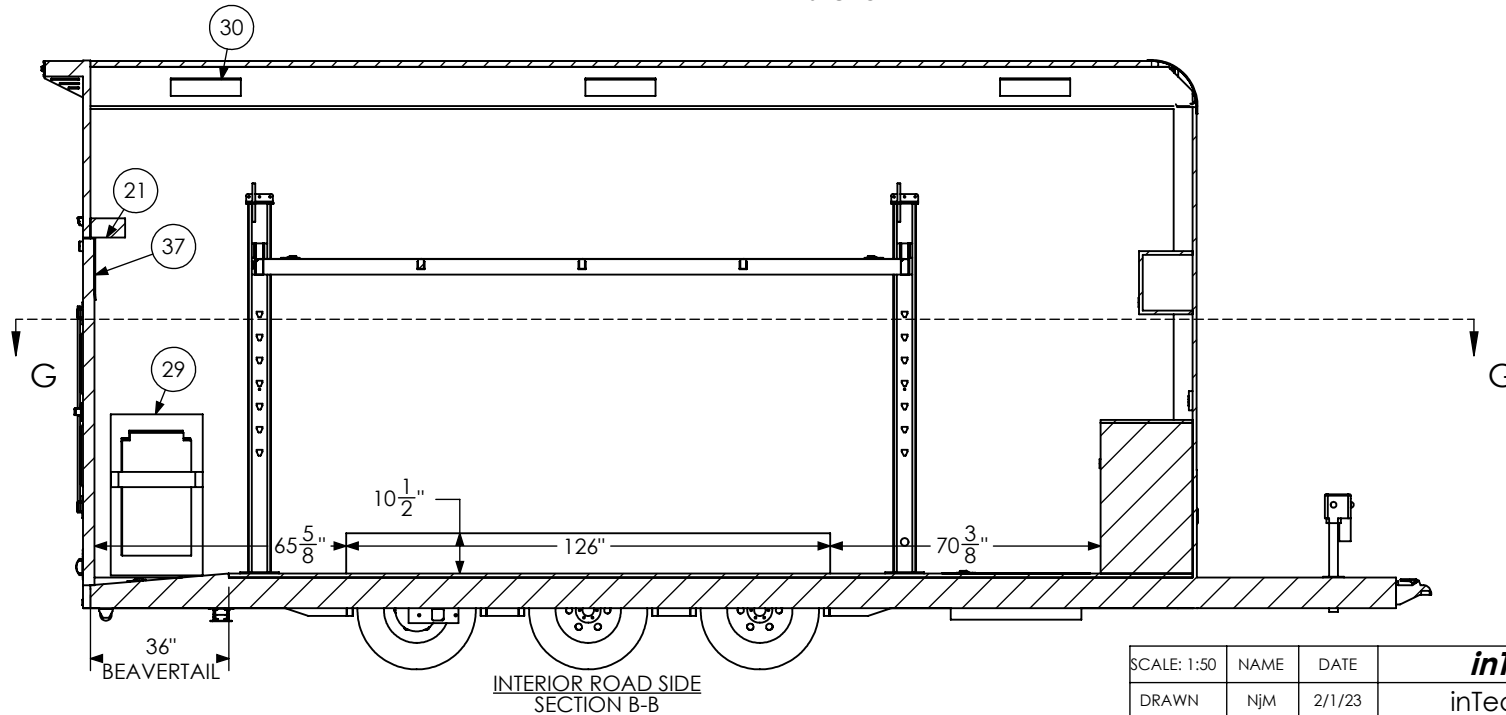
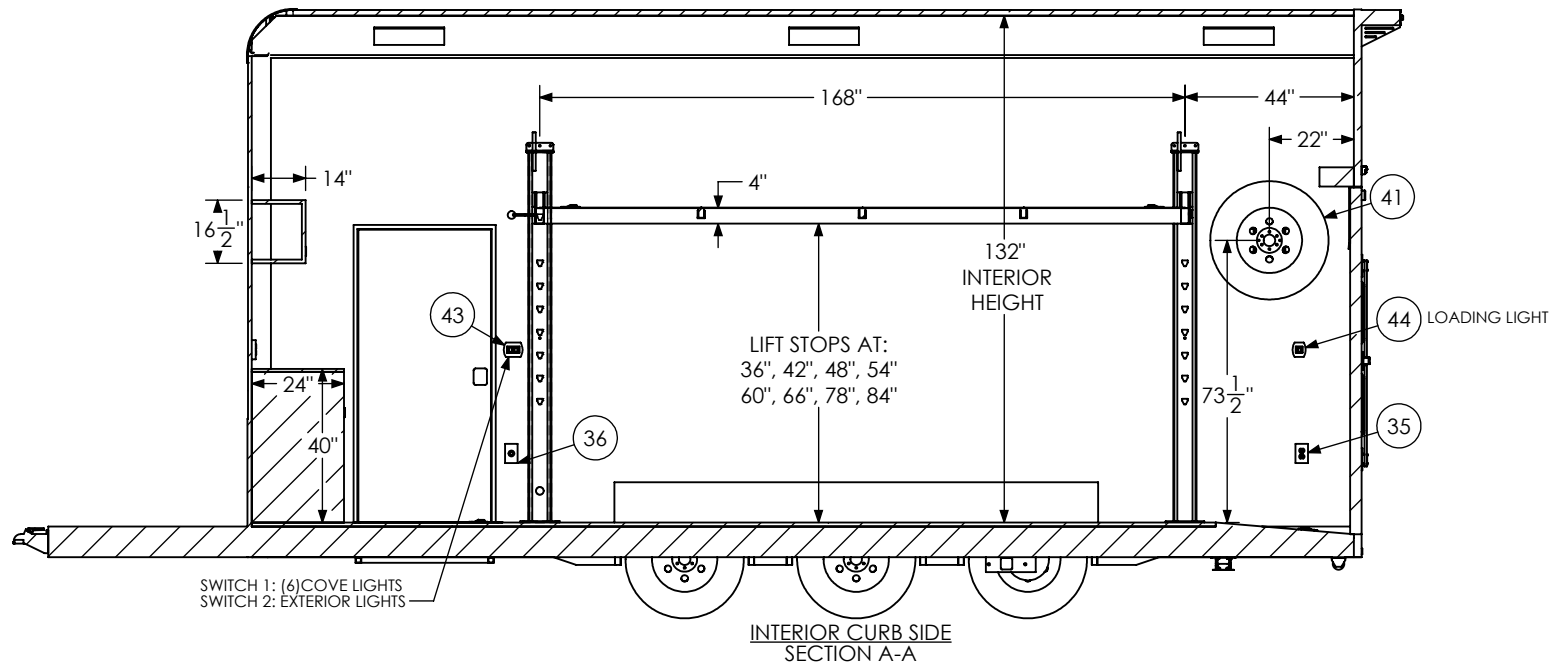
SCALE: 1:50	NAME	DATE	<b><i>inTech Trailers</i></b>	
DRAWN	NjM	2/1/23	inTech - Lite Stacker BSL8.5x24TTA4 - STANDARD BOM	
<small>ALL DIMENSIONS ARE IN INCHES AND ARE NOMINAL. DIMENSIONS ON ACTUAL TRAILER MAY VARY FROM WHAT IS SHOWN ON PRINT BASED ON ACTUAL FRAMING AND TRAILER STRUCTURE. UNLESS NOTED AS CRITICAL.</small>			DWG. NO.	REV.
			BSL8.5x24TTA Trailer Assembly - Standard	SHEET 1 OF 5 E

**PROPRIETARY AND CONFIDENTIAL**  
 THE INFORMATION CONTAINED IN THIS DRAWING IS THE SOLE PROPERTY OF INTECH TRAILERS. ANY REPRODUCTION IN PART OR AS A WHOLE WITHOUT THE WRITTEN PERMISSION OF INTECH TRAILERS IS PROHIBITED.



SCALE: 1:42	NAME	DATE	<b>inTech Trailers</b>	
DRAWN	NjM	2/1/23		
ALL DIMENSIONS ARE IN INCHES AND ARE NOMINAL. DIMENSIONS ON ACTUAL TRAILER MAY VARY FROM WHAT IS SHOWN ON PRINT BASED ON ACTUAL FRAMING AND TRAILER STRUCTURE. UNLESS NOTED AS CRITICAL.			inTech - Lite Stacker	
			BSL8.5x24TTA4 - STANDARD FLOORPLAN	
DWG. NO.		SHEET 2 OF 5		REV.
BSL8.5x24TTA Trailer Assembly - Standard				E

**PROPRIETARY AND CONFIDENTIAL**  
 THE INFORMATION CONTAINED IN THIS DRAWING IS THE SOLE PROPERTY OF INTECH TRAILERS. ANY REPRODUCTION IN PART OR AS A WHOLE WITHOUT THE WRITTEN PERMISSION OF INTECH TRAILERS IS PROHIBITED.



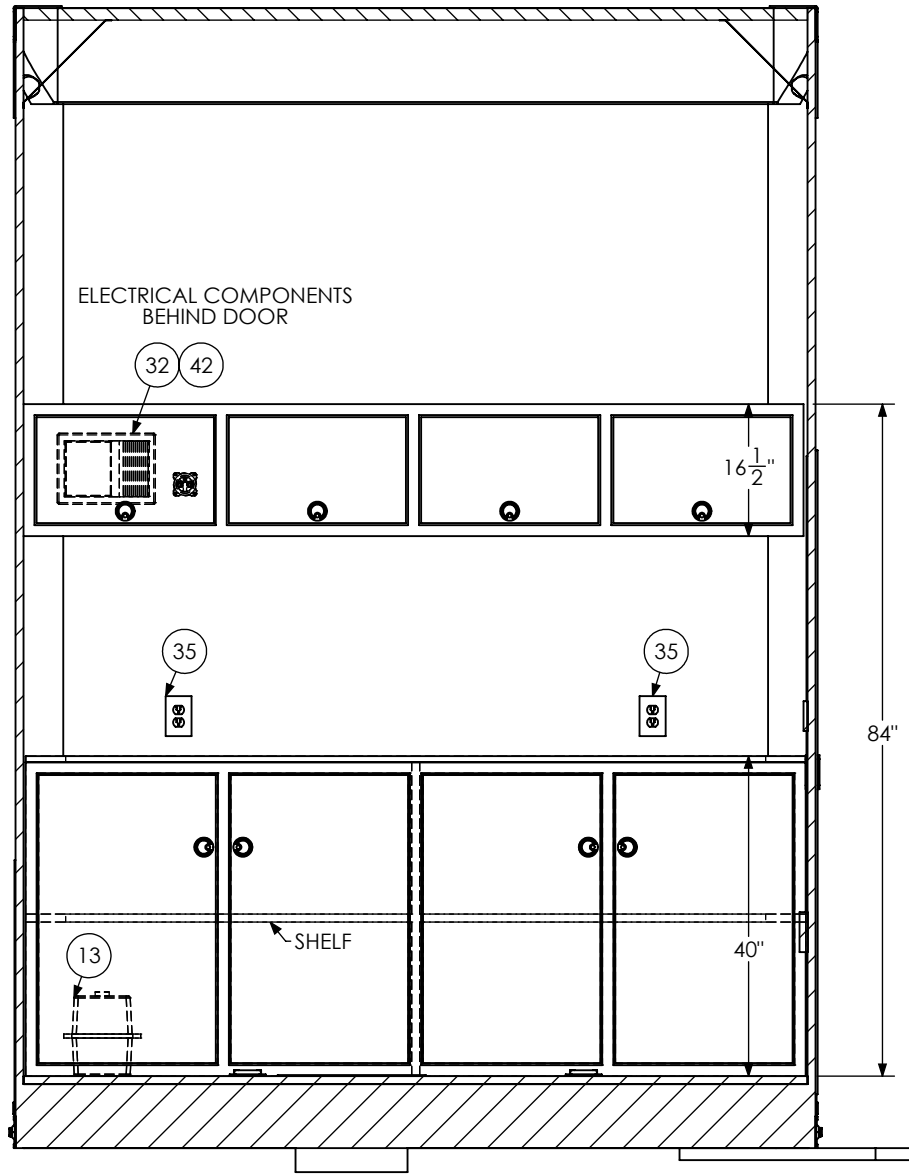
**PROPRIETARY AND CONFIDENTIAL**  
THE INFORMATION CONTAINED IN THIS DRAWING IS THE SOLE PROPERTY OF INTECH TRAILERS. ANY REPRODUCTION IN PART OR AS A WHOLE WITHOUT THE WRITTEN PERMISSION OF INTECH TRAILERS IS PROHIBITED.

SCALE: 1:50 NAME DATE

DRAWN NjM 2/1/23

ALL DIMENSIONS ARE IN INCHES AND ARE NOMINAL. DIMENSIONS ON ACTUAL TRAILER MAY VARY FROM WHAT IS SHOWN ON PRINT BASED ON ACTUAL FRAMING AND TRAILER STRUCTURE. UNLESS NOTED AS CRITICAL

<b><i>inTech Trailers</i></b>		
inTech - Lite Stacker BSL8.5x24TTA4 - STANDARD INTERIOR SIDES		
DWG. NO. BSL8.5x24TTA Trailer Assembly - Standard	SHEET 3 OF 5	REV. E



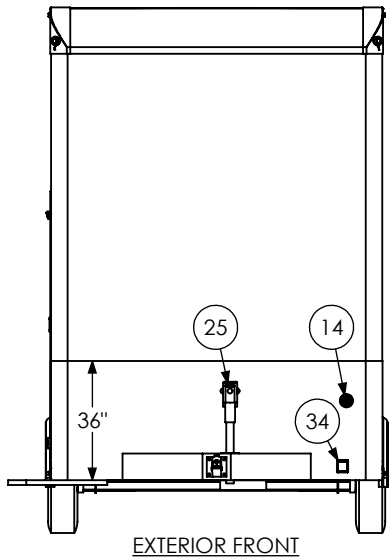
INTERIOR FRONT  
SECTION C-C

**PROPRIETARY AND CONFIDENTIAL**  
 THE INFORMATION CONTAINED IN THIS DRAWING IS THE  
 SOLE PROPERTY OF INTECH TRAILERS. ANY REPRODUCTION  
 IN PART OR AS A WHOLE WITHOUT THE WRITTEN PERMISSION  
 OF INTECH TRAILERS IS PROHIBITED.

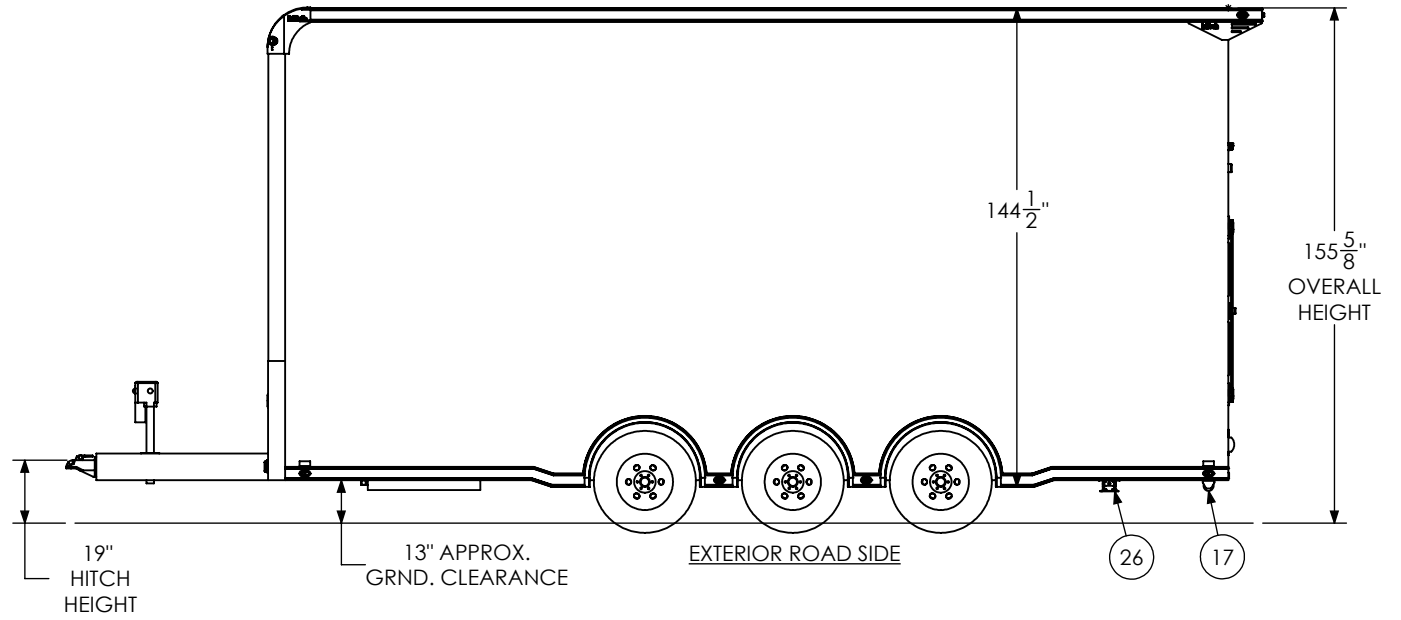
SCALE: 1:24	NAME	DATE
DRAWN	NjM	2/1/23

ALL DIMENSIONS ARE IN INCHES  
 AND ARE NOMINAL. DIMENSIONS  
 ON ACTUAL TRAILER MAY VARY  
 FROM WHAT IS SHOWN ON PRINT  
 BASED ON ACTUAL FRAMING AND  
 TRAILER STRUCTURE. UNLESS  
 NOTED AS CRITICAL

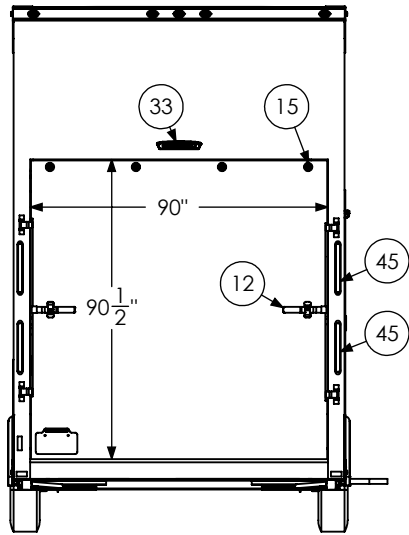
<b><i>inTech Trailers</i></b>		
inTech - Lite Stacker BSL8.5x24TTA4 - STANDARD INTERIOR FRONT		
DWG. NO.	SHEET 4 OF 5	REV.
BSL8.5x24TTA Trailer Assembly - Standard		E



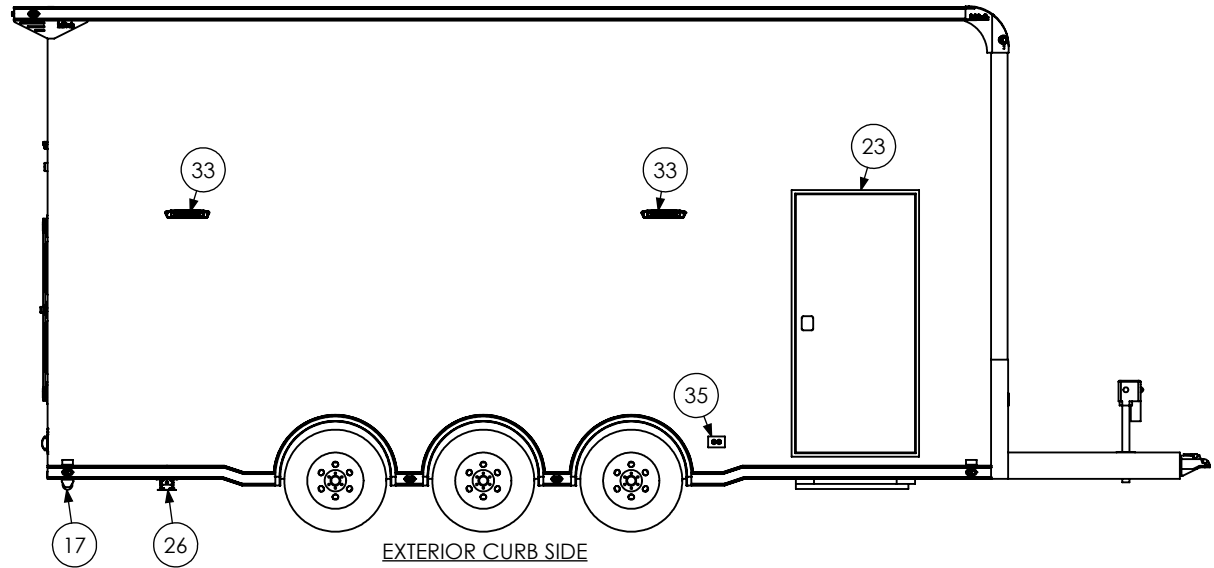
EXTERIOR FRONT



EXTERIOR ROAD SIDE



EXTERIOR REAR



EXTERIOR CURB SIDE

**PROPRIETARY AND CONFIDENTIAL**  
 THE INFORMATION CONTAINED IN THIS DRAWING IS THE SOLE PROPERTY OF INTECH TRAILERS. ANY REPRODUCTION IN PART OR AS A WHOLE WITHOUT THE WRITTEN PERMISSION OF INTECH TRAILERS IS PROHIBITED.

SCALE: 1:58	NAME	DATE
DRAWN	NjM	2/1/23

ALL DIMENSIONS ARE IN INCHES AND ARE NOMINAL. DIMENSIONS ON ACTUAL TRAILER MAY VARY FROM WHAT IS SHOWN ON PRINT BASED ON ACTUAL FRAMING AND TRAILER STRUCTURE. UNLESS NOTED AS CRITICAL.

<b><i>inTech Trailers</i></b>		
inTech - Lite Stacker BSL8.5x24TTA4 - STANDARD EXTERIOR		
DWG. NO. BSL8.5x24TTA Trailer Assembly - Standard	SHEET 5 OF 5	REV. E