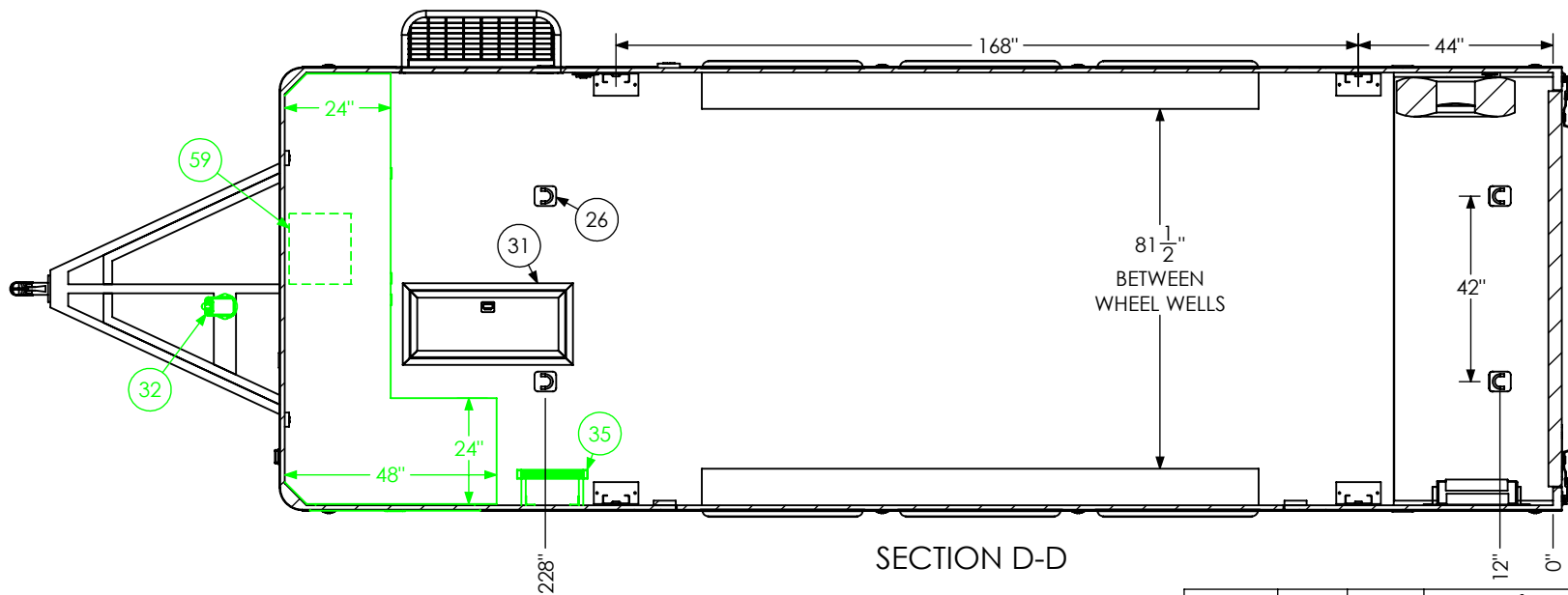
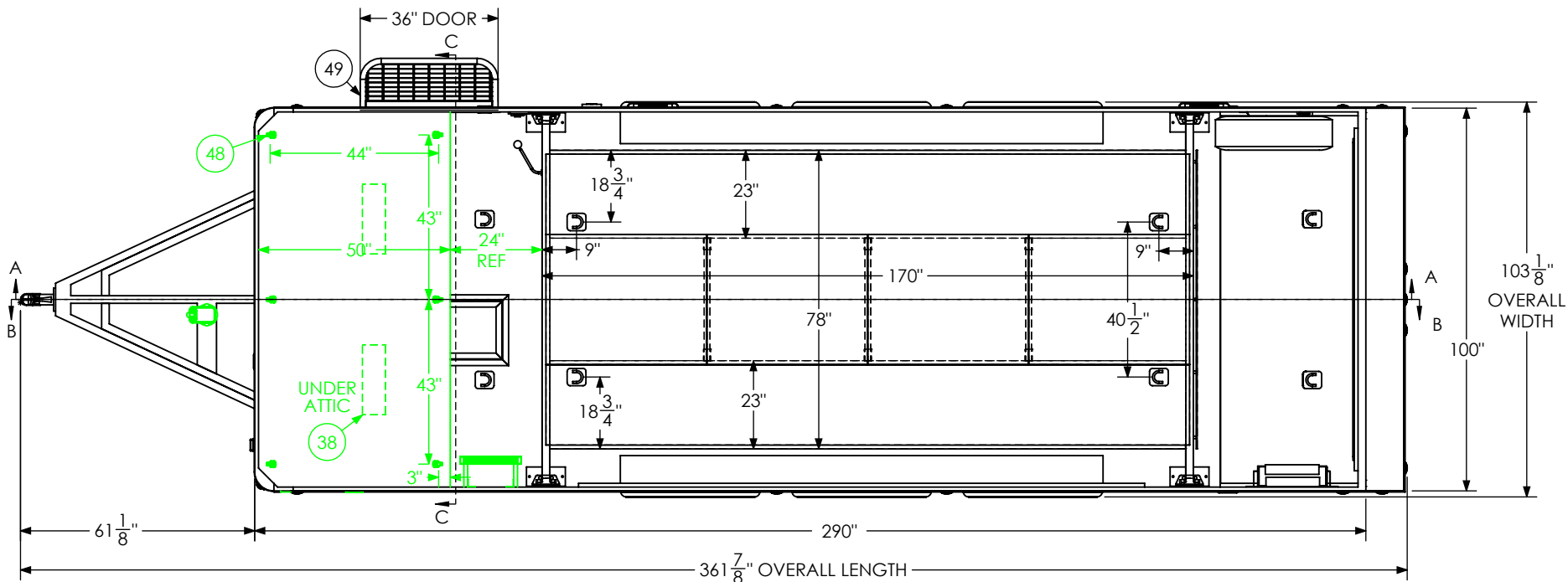


ITEM NO.	FILE NAME	DESCRIPTION	QTY
1	Attic - BSL		1
2	Axle, Dexter	6000#, 22.5 UP, 93HF, 78AB T	3
14	BSL Cabinet, L-Base		1
15	BSL Cabinet, Overhead		1
16	Bar Lock		2
17	Battery Box		1
18	Battery Vent		1
19	Bumpers	1"	1
20	Cast Corners		1
21	Caster Wheel		2
24	Coupler - Flat Nose	25K - Bulldog	1
25	Cover, Spring Assist		1
26	D-Ring	5,000	8
27	Door, Entrance	36" x 78"	1
28	Door, Generator	36" x 36"	1
31	In-Floor Compartment	Hydraulics Box (14"x34")	1
32	Jack, Power	4500#	1
33	Jack, Rear Stabilizer		2
34	LICENSE PLATE BRACKET		1
35	Ladder - BSL	16" x 106"	1
36	Lift Assembly SS - BSL	14'	1
37	Lift Ramp Storage Assembly		1
38	Light	18" 12v LED	8
39	Light, License Plate		1
40	Load Center	30 Amp L/C - 60 Amp Conv	1
41	Loading Light - LED	13.7" 12V Loading Light	3
42	Motorbase Plug	30 Amp	1
43	Outlet	120V 20 Amp	4
44	Outlet	Lift Control Plug	1
45	Ramp Extension	16" Transition Flap	1
48	Rope Ring		6
49	Slide Out Step	36" Wide	1
50	Spare Tire Assembly		1
51	Switch	12v Cutoff	1
52	Switch	3 - 12V Switches	1
53	Switch	1 - 12V Switch	1
54	Tail Light	Slimline	4
55	Tire	ST235/80R16	6
59	Winch Plate		1

T:\SolidWorks CAD\BSL\BSL8.5x24TTA4\

PROPRIETARY AND CONFIDENTIAL
 THE INFORMATION CONTAINED IN THIS DRAWING IS THE SOLE PROPERTY OF INTECH TRAILERS. ANY REPRODUCTION IN PART OR AS A WHOLE WITHOUT THE WRITTEN PERMISSION OF INTECH TRAILERS IS PROHIBITED.

SCALE: 1:50	NAME	DATE	<i>inTech Trailers</i> inTech - Lite Stacker BSL8.5x24TTA4 OPTIONS BOM		
DRAWN	NjM	5/11/23			
ALL DIMENSIONS ARE IN INCHES AND ARE NOMINAL. DIMENSIONS ON ACTUAL TRAILER MAY VARY FROM WHAT IS SHOWN ON PRINT BASED ON ACTUAL FRAMING AND TRAILER STRUCTURE. UNLESS NOTED AS CRITICAL.			DWG. NO.	SHEET 1 OF 5	REV.
			BSL8.5x24TTA Trailer Assembly - Option	F	



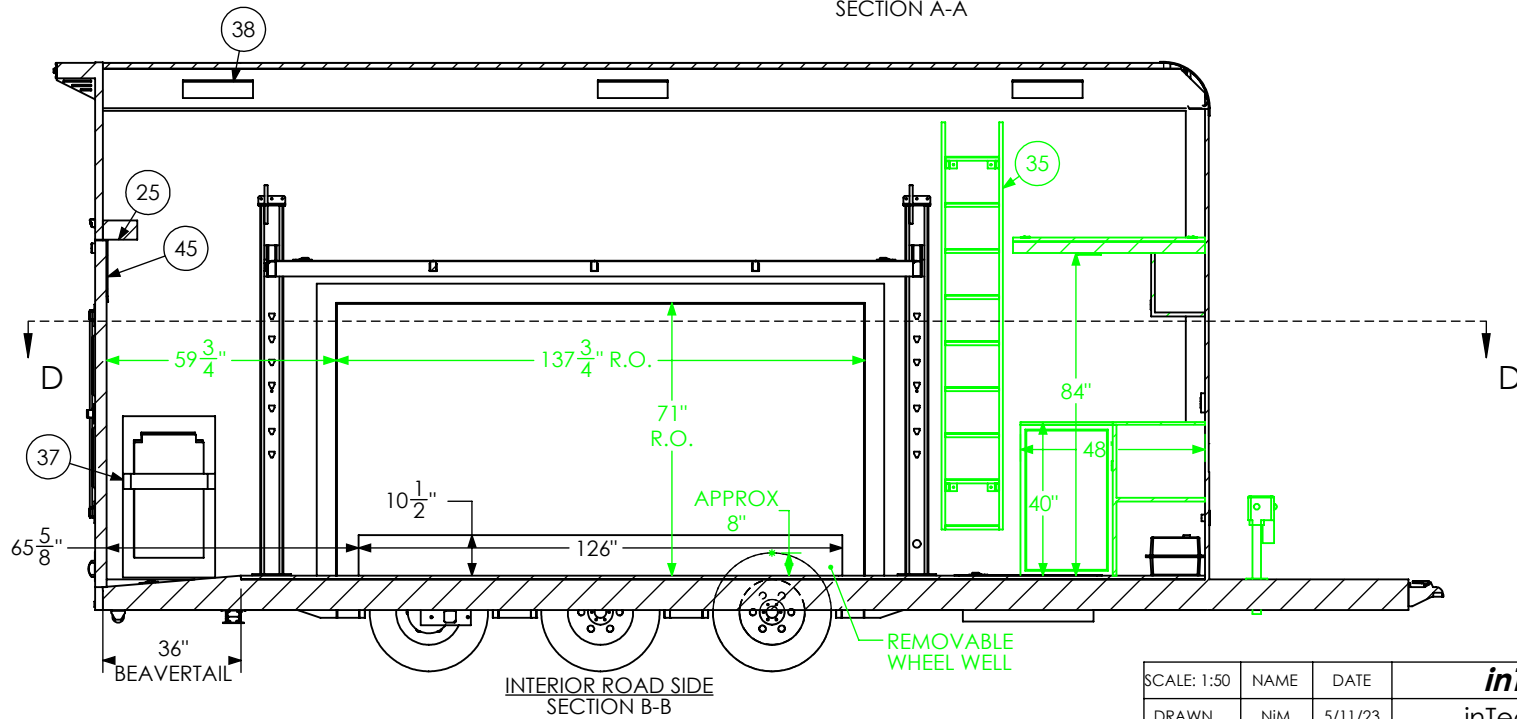
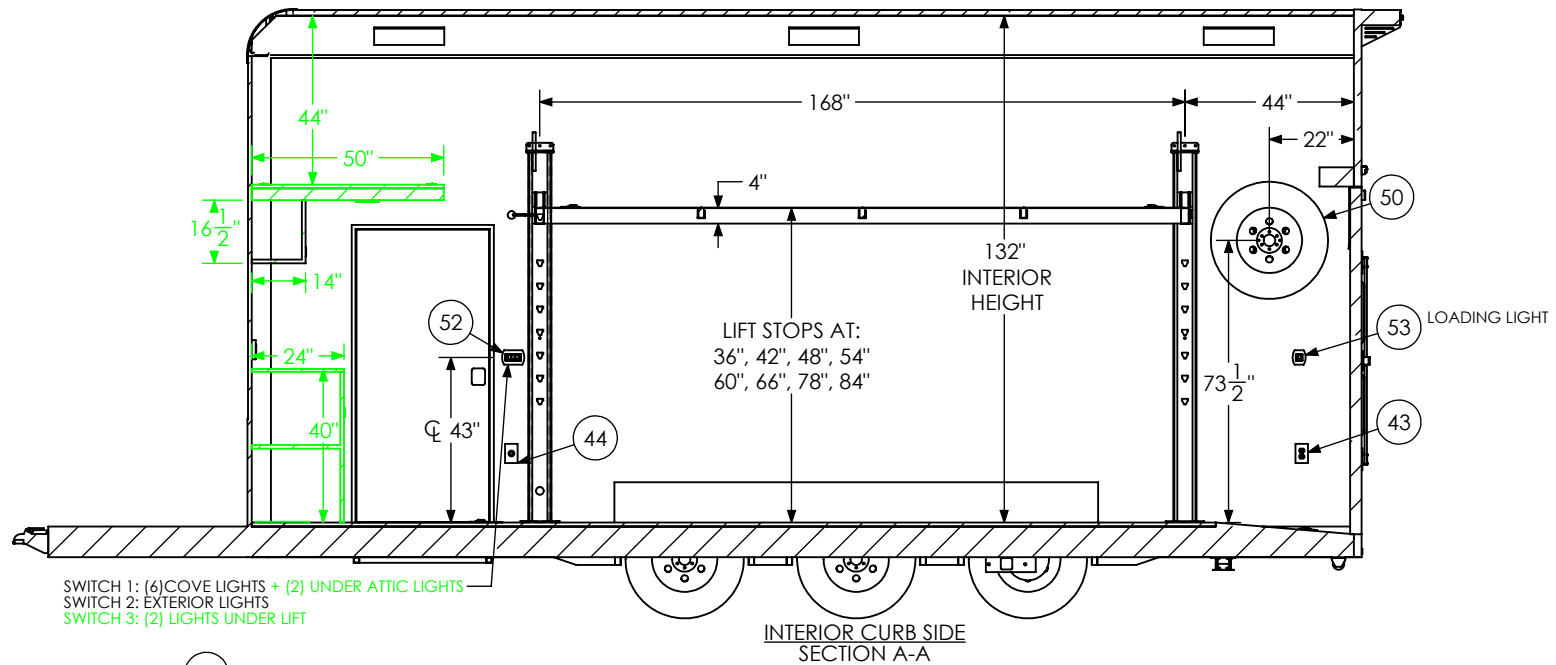
SECTION D-D

SCALE: 1:42	NAME	DATE
DRAWN	NjM	5/11/23

ALL DIMENSIONS ARE IN INCHES AND ARE NOMINAL. DIMENSIONS ON ACTUAL TRAILER MAY VARY FROM WHAT IS SHOWN ON PRINT BASED ON ACTUAL FRAMING AND TRAILER STRUCTURE. UNLESS NOTED AS CRITICAL

<i>inTech Trailers</i>		
inTech - Lite Stacker BSL8.5x24TTA4 OPTIONS FLOORPLAN		
DWG. NO. BSL8.5x24TTA Trailer Assembly - Option	SHEET 2 OF 5	REV. F

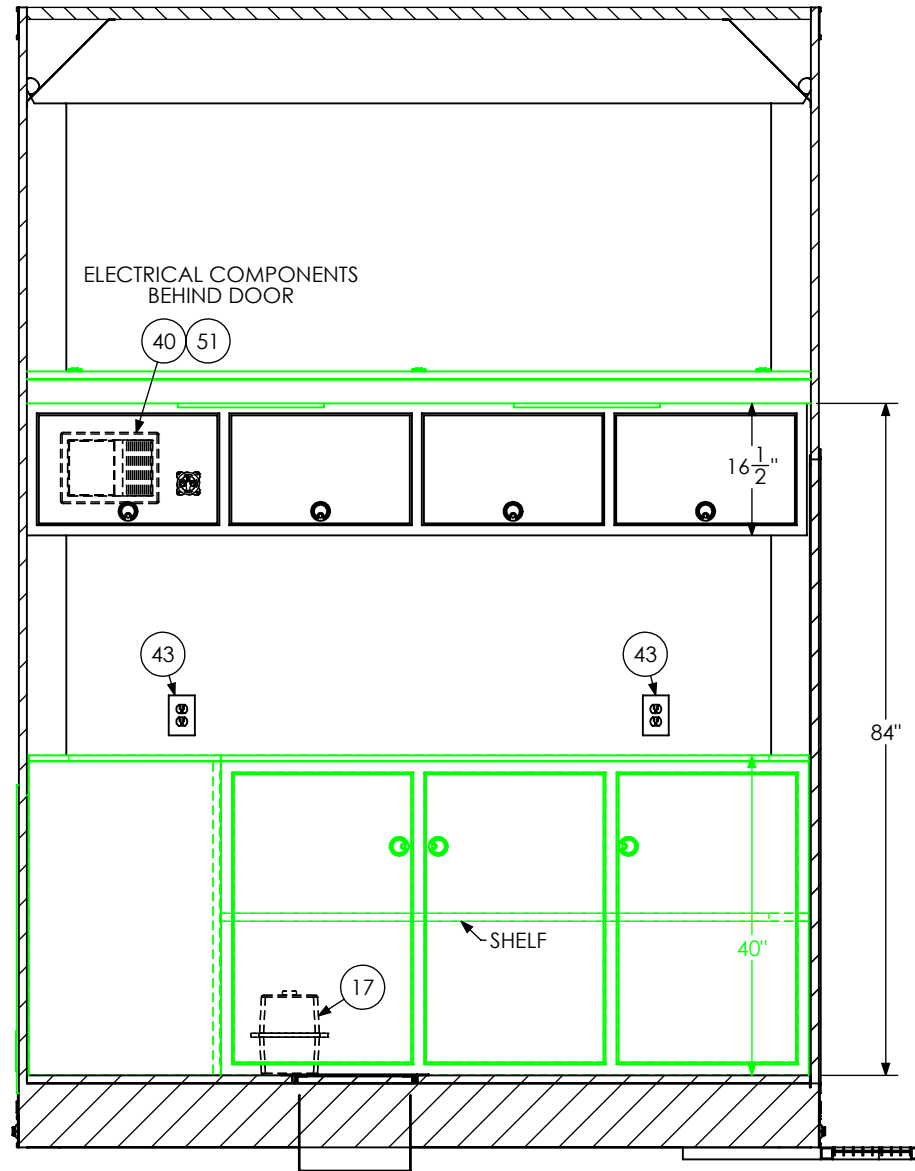
PROPRIETARY AND CONFIDENTIAL
THE INFORMATION CONTAINED IN THIS DRAWING IS THE SOLE PROPERTY OF INTECH TRAILERS. ANY REPRODUCTION IN PART OR AS A WHOLE WITHOUT THE WRITTEN PERMISSION OF INTECH TRAILERS IS PROHIBITED.



PROPRIETARY AND CONFIDENTIAL
THE INFORMATION CONTAINED IN THIS DRAWING IS THE SOLE PROPERTY OF INTECH TRAILERS. ANY REPRODUCTION IN PART OR AS A WHOLE WITHOUT THE WRITTEN PERMISSION OF INTECH TRAILERS IS PROHIBITED.

SCALE: 1:50	NAME	DATE
DRAWN	NjM	5/11/23
ALL DIMENSIONS ARE IN INCHES AND ARE NOMINAL. DIMENSIONS ON ACTUAL TRAILER MAY VARY FROM WHAT IS SHOWN ON PRINT BASED ON ACTUAL FRAMING AND TRAILER STRUCTURE, UNLESS NOTED AS CRITICAL.		

inTech Trailers		
inTech - Lite Stacker BSL8.5x24TTA4 OPTIONS INTERIOR SIDES		
DWG. NO. BSL8.5x24TTA Trailer Assembly - Option	SHEET 3 OF 5	REV. F



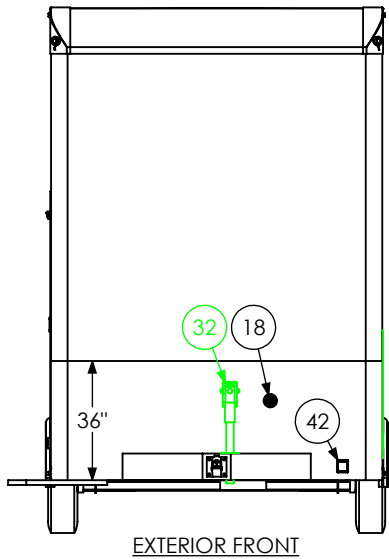
INTERIOR FRONT
SECTION C-C

PROPRIETARY AND CONFIDENTIAL
THE INFORMATION CONTAINED IN THIS DRAWING IS THE SOLE PROPERTY OF INTECH TRAILERS. ANY REPRODUCTION IN PART OR AS A WHOLE WITHOUT THE WRITTEN PERMISSION OF INTECH TRAILERS IS PROHIBITED.

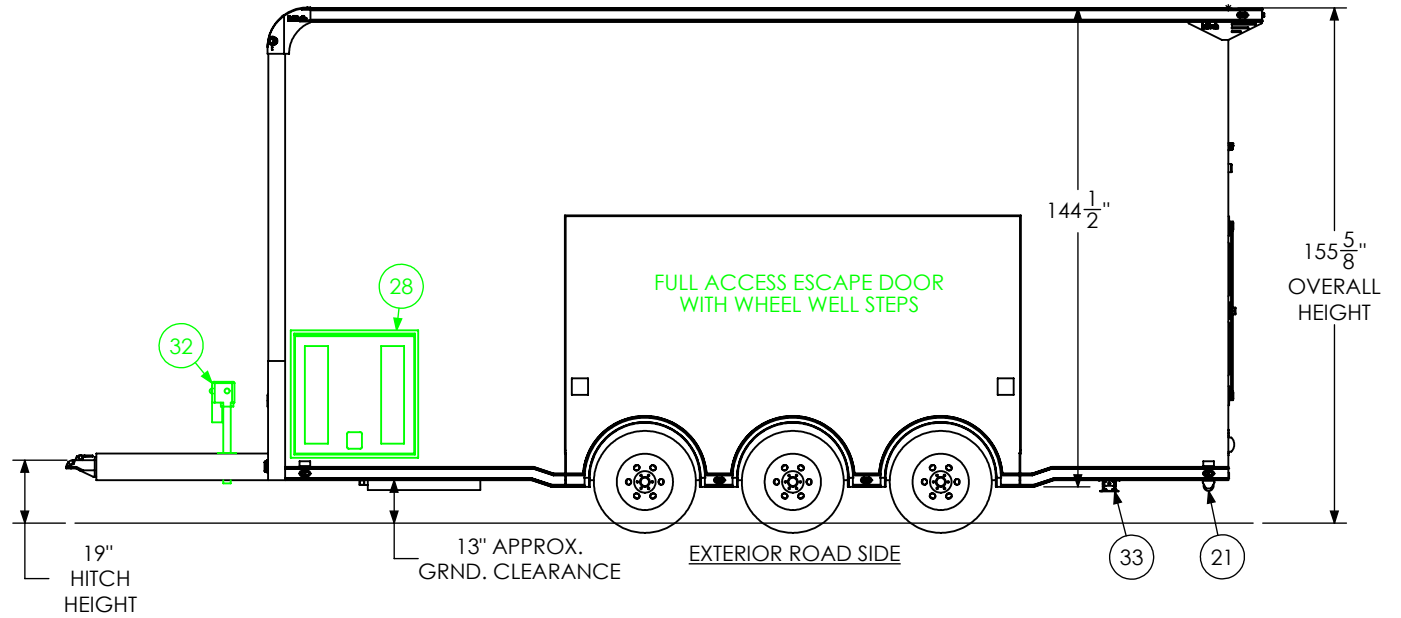
SCALE: 1:24	NAME	DATE
DRAWN	NjM	5/11/23

ALL DIMENSIONS ARE IN INCHES AND ARE NOMINAL. DIMENSIONS ON ACTUAL TRAILER MAY VARY FROM WHAT IS SHOWN ON PRINT BASED ON ACTUAL FRAMING AND TRAILER STRUCTURE. UNLESS NOTED AS CRITICAL

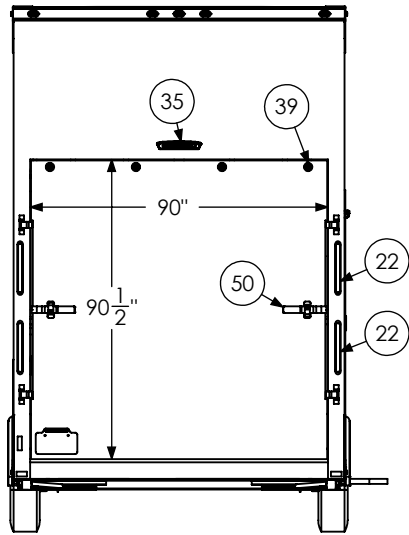
<i>inTech Trailers</i>		
inTech - Lite Stacker BSL8.5x24TTA4 OPTIONS INTERIOR FRONT		
DWG. NO. BSL8.5x24TTA Trailer Assembly - Option	SHEET 4 OF 5	REV. F



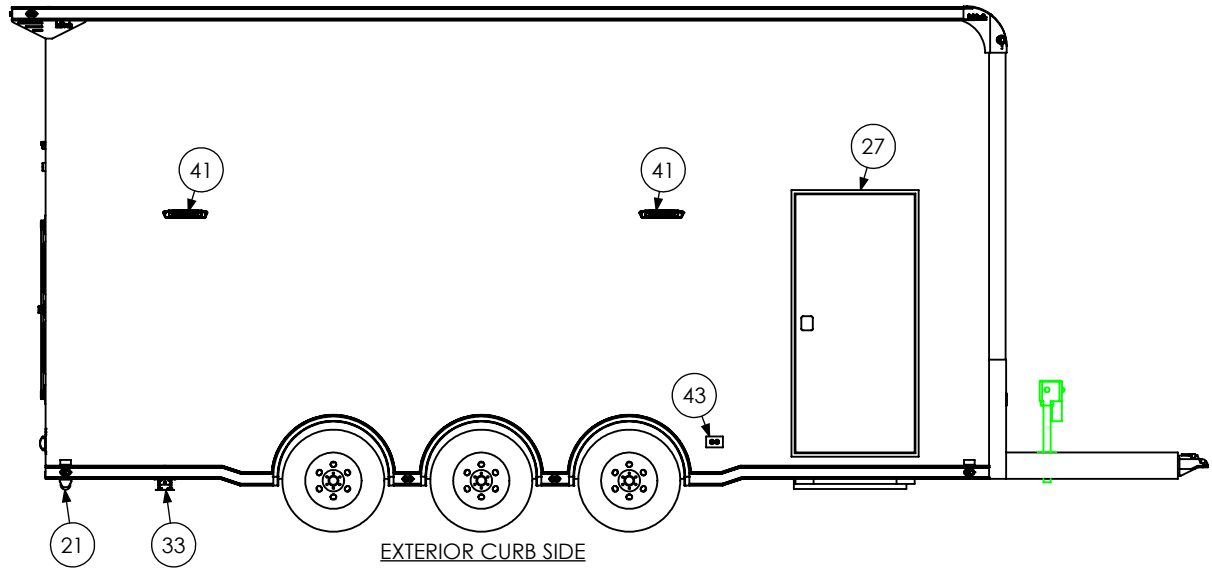
EXTERIOR FRONT



EXTERIOR ROAD SIDE



EXTERIOR REAR



EXTERIOR CURB SIDE

PROPRIETARY AND CONFIDENTIAL
 THE INFORMATION CONTAINED IN THIS DRAWING IS THE SOLE PROPERTY OF INTECH TRAILERS. ANY REPRODUCTION IN PART OR AS A WHOLE WITHOUT THE WRITTEN PERMISSION OF INTECH TRAILERS IS PROHIBITED.

SCALE: 1:58	NAME	DATE
DRAWN	NjM	5/11/23

ALL DIMENSIONS ARE IN INCHES AND ARE NOMINAL. DIMENSIONS ON ACTUAL TRAILER MAY VARY FROM WHAT IS SHOWN ON PRINT BASED ON ACTUAL FRAMING AND TRAILER STRUCTURE. UNLESS NOTED AS CRITICAL

<i>inTech Trailers</i>		
inTech - Lite Stacker BSL8.5x24TTA4 OPTIONS EXTERIOR		
DWG. NO. BSL8.5x24TTA Trailer Assembly - Option	SHEET 5 OF 5	REV. F