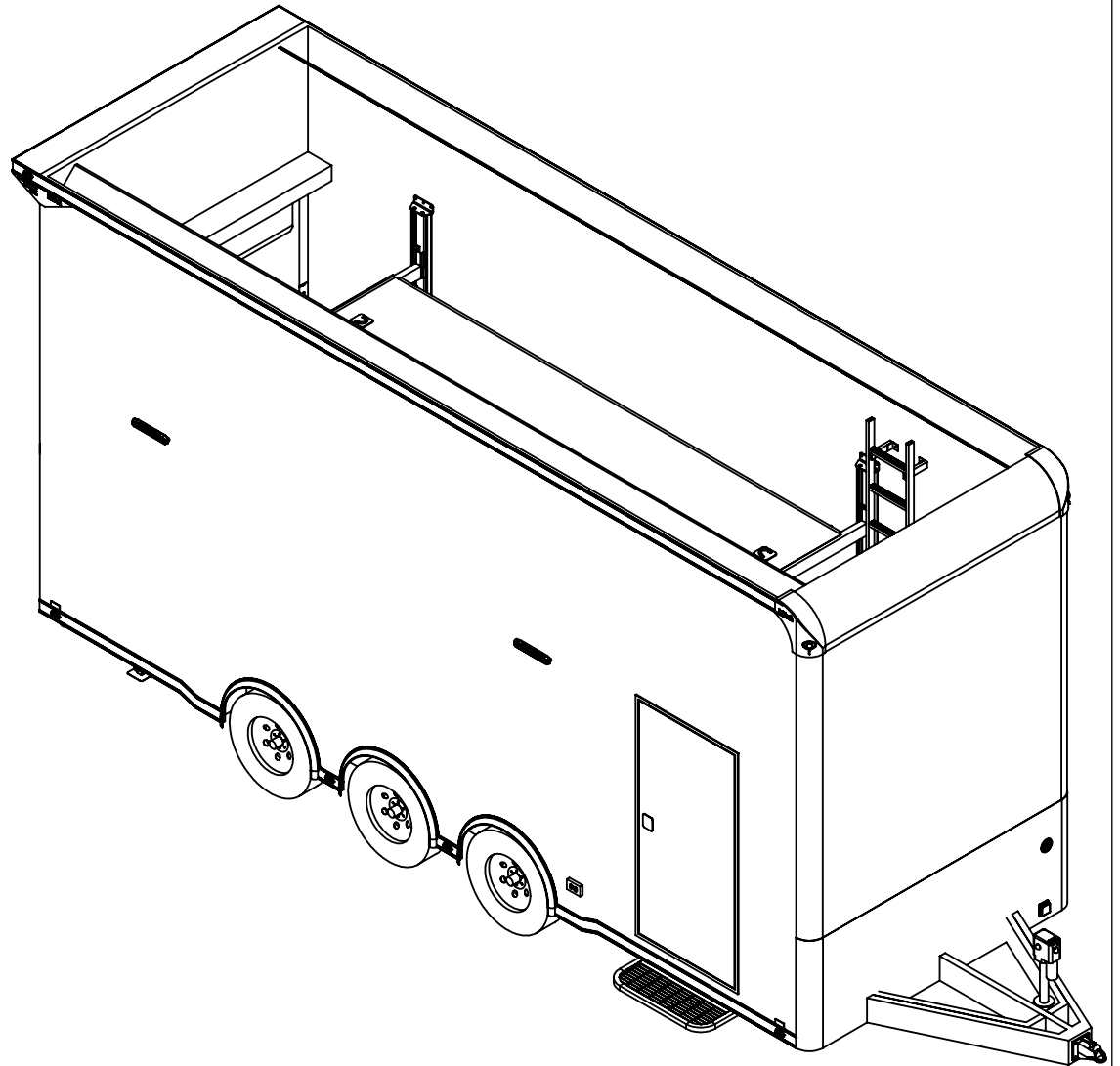
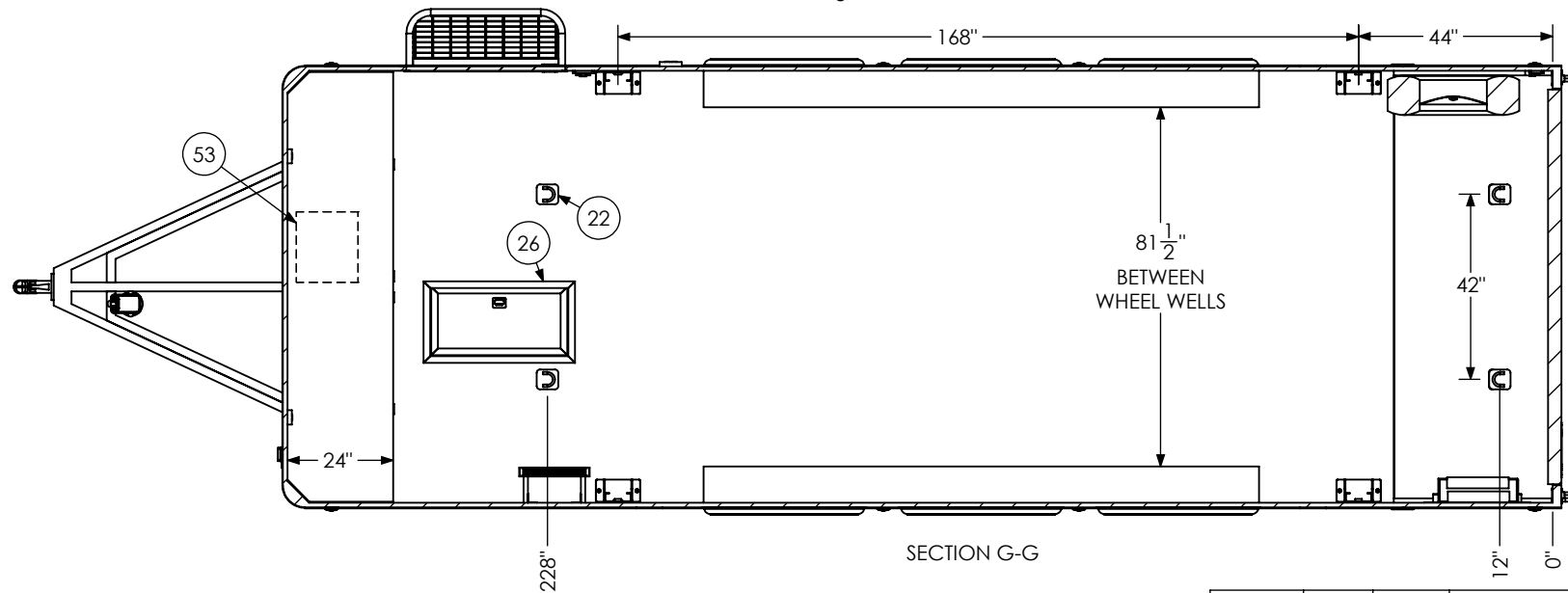
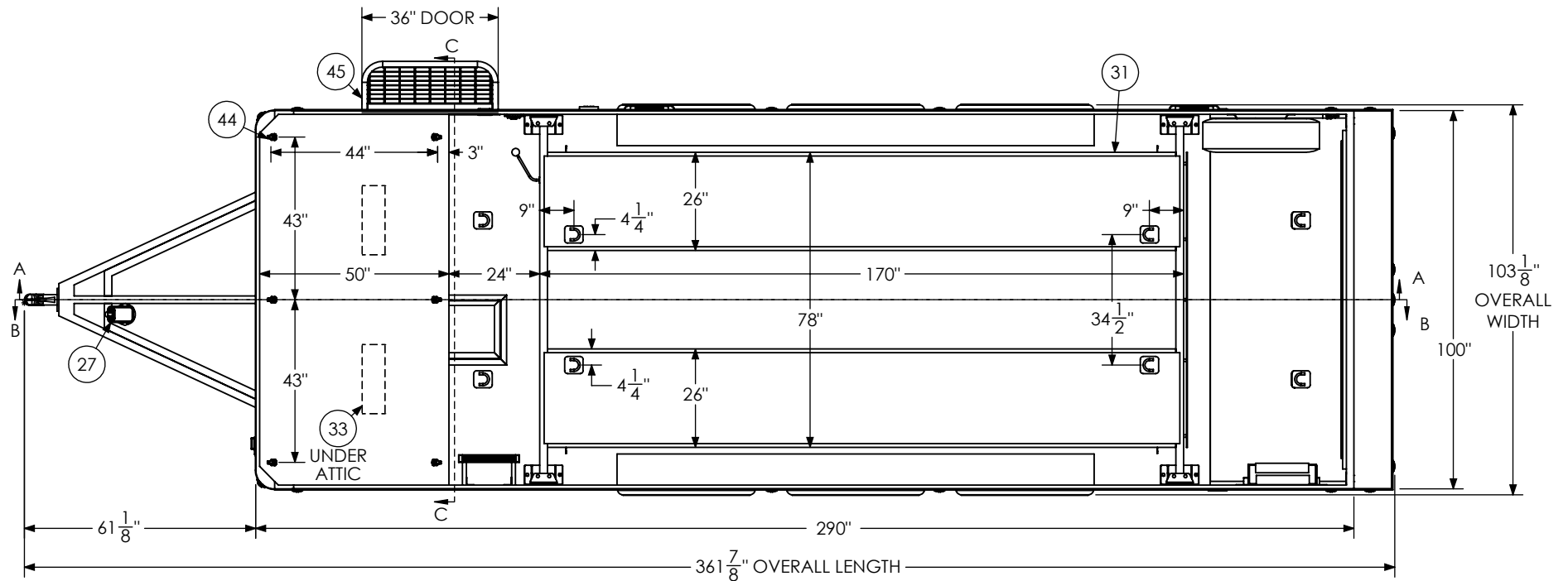


ITEM NO.	FILE NAME	DESCRIPTION	QTY.
1	Attic - BSL		1
2	Axle, Dexter	6000#, 22.5 UP, 93HF, 78AB T	3
11	BSL Cabinet, Overhead		1
12	BSL Cabinet, Straight Base		1
13	Battery Box		1
14	Battery Vent		1
15	Bumpers	1"	1
16	Cast Corners		1
17	Caster Wheel		2
19	Clearance Light	Red Lens	9
20	Coupler - Flat Nose	25K - Bulldog	1
21	Cover, Spring Assist		1
22	D-Ring	5,000	8
23	Door, Entrance	36" x 76" RHS	1
26	In-Floor Compartment - Lite	Hydraulics Box (14"x30")	1
27	Jack, Power	4500#	1
28	Jack, Stabilizer		2
29	LICENSE PLATE BRACKET		1
30	Ladder - BSL	16" x 106"	1
31	Lift - BSL		1
32	Lift Ramp Storage Assembly		1
33	Light	18" 12v LED	8
34	Light, License Plate		1
35	Load Center	30 Amp L/C - 60 Amp Conv	1
36	Loading Light - LED	13.7" 12V Loading Light	3
37	Motorbase Plug	30 Amp	1
38	Outlet	120V 20 Amp	4
39	Outlet	Lift Control Plug	1
40	Paddle Latch		2
41	Ramp Extension	16" Transition Flap	1
43	Reflector	Amber	2
44	Rope Ring		6
45	Slide Out Step	36" Wide	1
46	Spare Tire Assembly		1
47	Switch	12v Cutoff	1
48	Switch	2 - 12V Switches	2
49	Switch	1 - 12V Switch	1
50	Tail Light	Slimline	4
51	Tire	ST235/80R16	6
53	Winch Plate		1



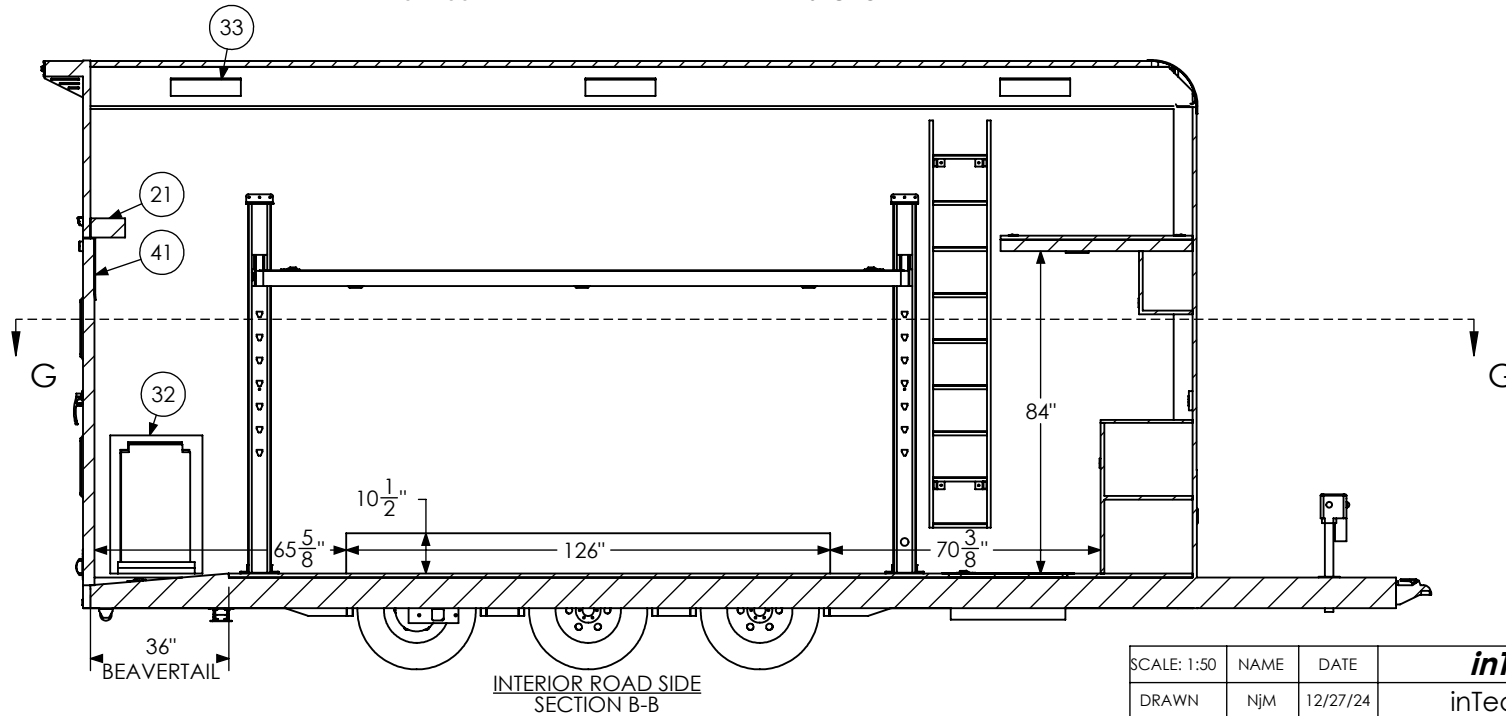
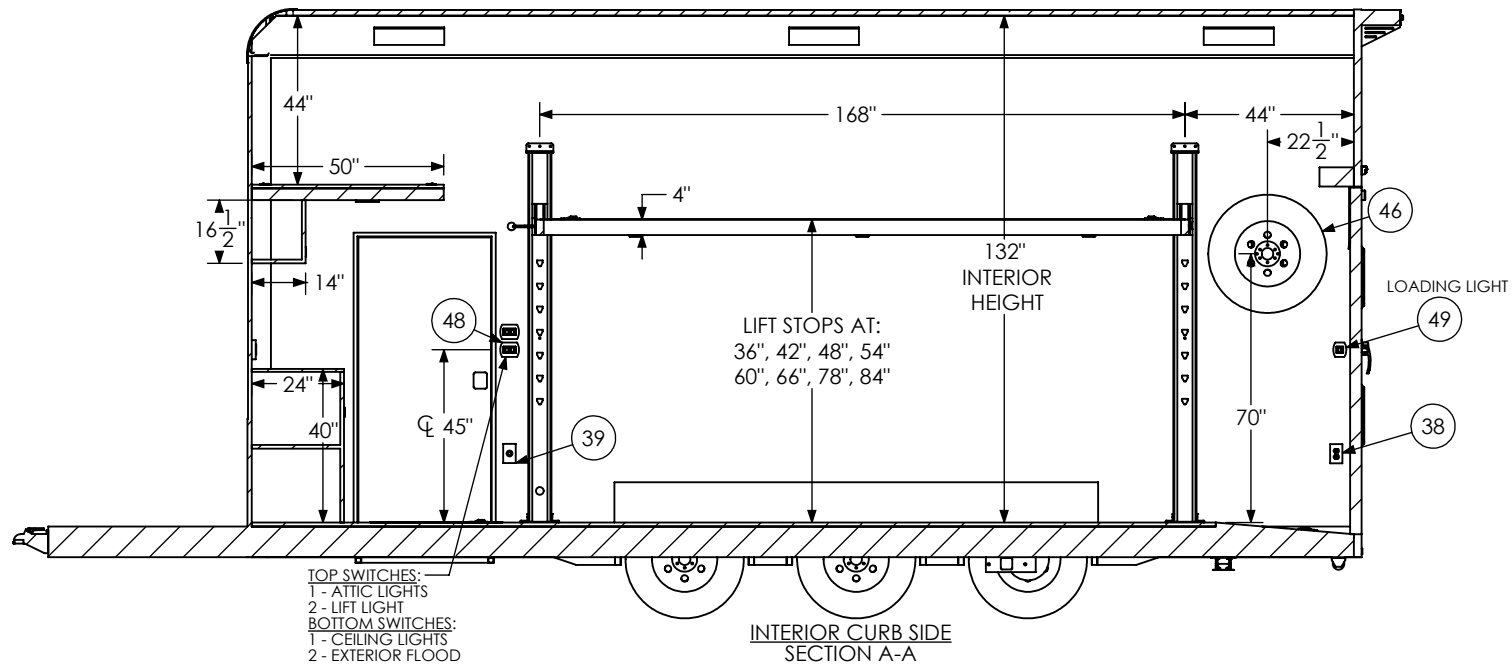
**PROPRIETARY AND CONFIDENTIAL**  
 THE INFORMATION CONTAINED IN THIS DRAWING IS THE SOLE PROPERTY OF INTECH TRAILERS. ANY REPRODUCTION IN PART OR AS A WHOLE WITHOUT THE WRITTEN PERMISSION OF INTECH TRAILERS IS PROHIBITED.

SCALE: 1:50	NAME	DATE	<b><i>inTech Trailers</i></b> inTech - Lite Stacker BSL8.5x24TTA4 - STANDARD BOM		
DRAWN	NjM	12/27/24			
ALL DIMENSIONS ARE IN INCHES AND ARE NOMINAL. DIMENSIONS ON ACTUAL TRAILER MAY VARY FROM WHAT IS SHOWN ON PRINT BASED ON ACTUAL FRAMING AND TRAILER STRUCTURE. UNLESS NOTED AS CRITICAL.			DWG. NO.	SHEET 1 OF 5	REV.
			BSL8.5x24TTA Trailer Assembly - Standard	H	



SCALE: 1:42	NAME	DATE	<b>inTech Trailers</b>	
DRAWN	NjM	12/27/24	inTech - Lite Stacker BSL8.5x24TTA4 - STANDARD FLOORPLAN	
ALL DIMENSIONS ARE IN INCHES AND ARE NOMINAL. DIMENSIONS ON ACTUAL TRAILER MAY VARY FROM WHAT IS SHOWN ON PRINT BASED ON ACTUAL FRAMING AND TRAILER STRUCTURE. UNLESS NOTED AS CRITICAL.			DWG. NO. BSL8.5x24TTA Trailer Assembly - Standard	SHEET 2 OF 5 REV. H

**PROPRIETARY AND CONFIDENTIAL**  
 THE INFORMATION CONTAINED IN THIS DRAWING IS THE SOLE PROPERTY OF INTECH TRAILERS. ANY REPRODUCTION IN PART OR AS A WHOLE WITHOUT THE WRITTEN PERMISSION OF INTECH TRAILERS IS PROHIBITED.

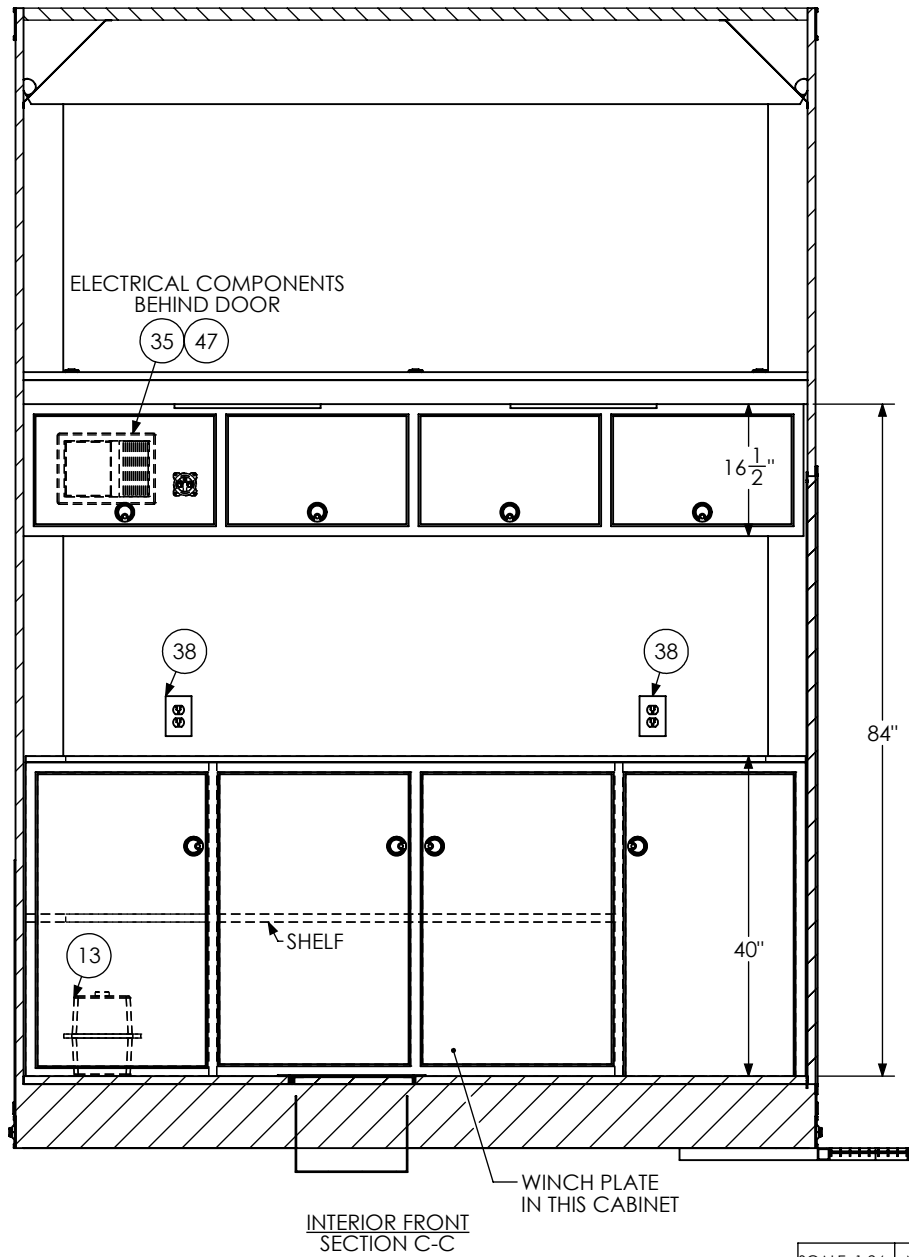


**PROPRIETARY AND CONFIDENTIAL**  
THE INFORMATION CONTAINED IN THIS DRAWING IS THE SOLE PROPERTY OF INTECH TRAILERS. ANY REPRODUCTION IN PART OR AS A WHOLE WITHOUT THE WRITTEN PERMISSION OF INTECH TRAILERS IS PROHIBITED.

SCALE: 1:50	NAME	DATE
DRAWN	NjM	12/27/24

ALL DIMENSIONS ARE IN INCHES AND ARE NOMINAL. DIMENSIONS ON ACTUAL TRAILER MAY VARY FROM WHAT IS SHOWN ON PRINT BASED ON ACTUAL FRAMING AND TRAILER STRUCTURE. UNLESS NOTED AS CRITICAL

<b><i>inTech Trailers</i></b>		
inTech - Lite Stacker		
BSL8.5x24TTA4 - STANDARD INTERIOR SIDES		
DWG. NO.	SHEET 3 OF 5	REV.
BSL8.5x24TTA Trailer Assembly - Standard	H	H

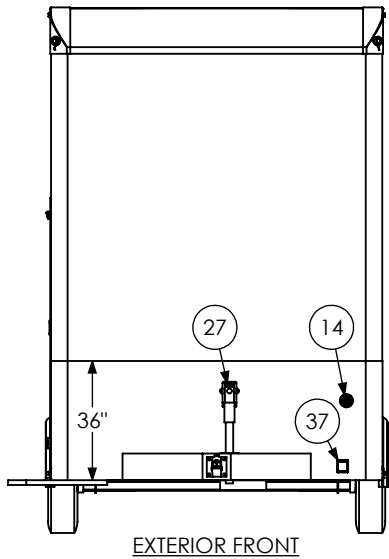


INTERIOR FRONT SECTION C-C

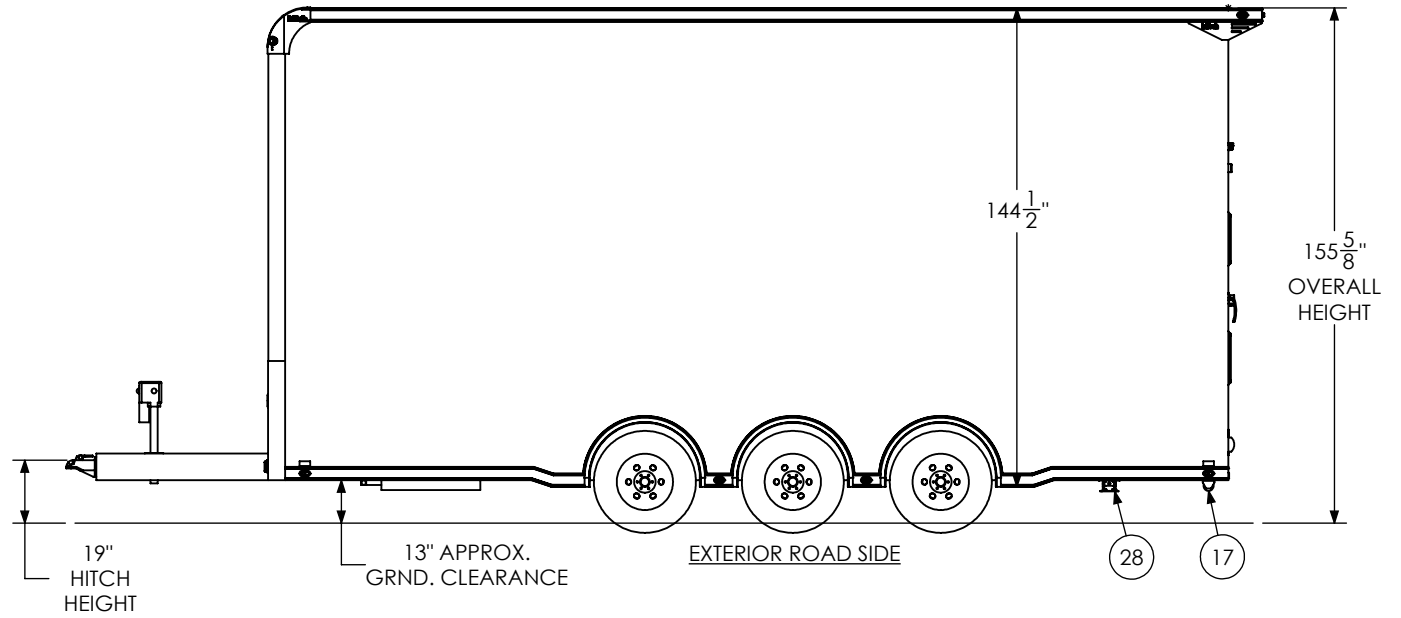
**PROPRIETARY AND CONFIDENTIAL**  
 THE INFORMATION CONTAINED IN THIS DRAWING IS THE SOLE PROPERTY OF INTECH TRAILERS. ANY REPRODUCTION IN PART OR AS A WHOLE WITHOUT THE WRITTEN PERMISSION OF INTECH TRAILERS IS PROHIBITED.

SCALE: 1:24	NAME	DATE
DRAWN	NjM	12/27/24
ALL DIMENSIONS ARE IN INCHES AND ARE NOMINAL. DIMENSIONS ON ACTUAL TRAILER MAY VARY FROM WHAT IS SHOWN ON PRINT BASED ON ACTUAL FRAMING AND TRAILER STRUCTURE. UNLESS NOTED AS CRITICAL		

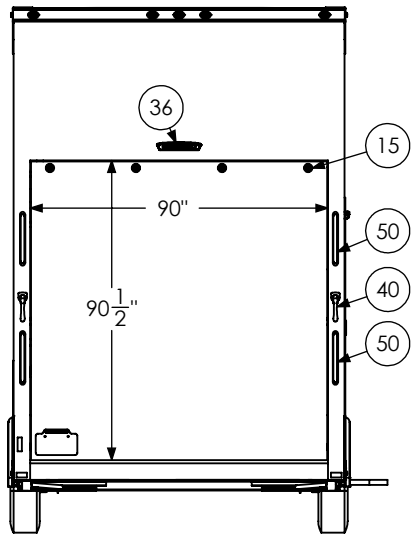
<b><i>inTech Trailers</i></b>		
inTech - Lite Stacker BSL8.5x24TTA4 - STANDARD INTERIOR FRONT		
DWG. NO. BSL8.5x24TTA Trailer Assembly - Standard	SHEET 4 OF 5	REV. H



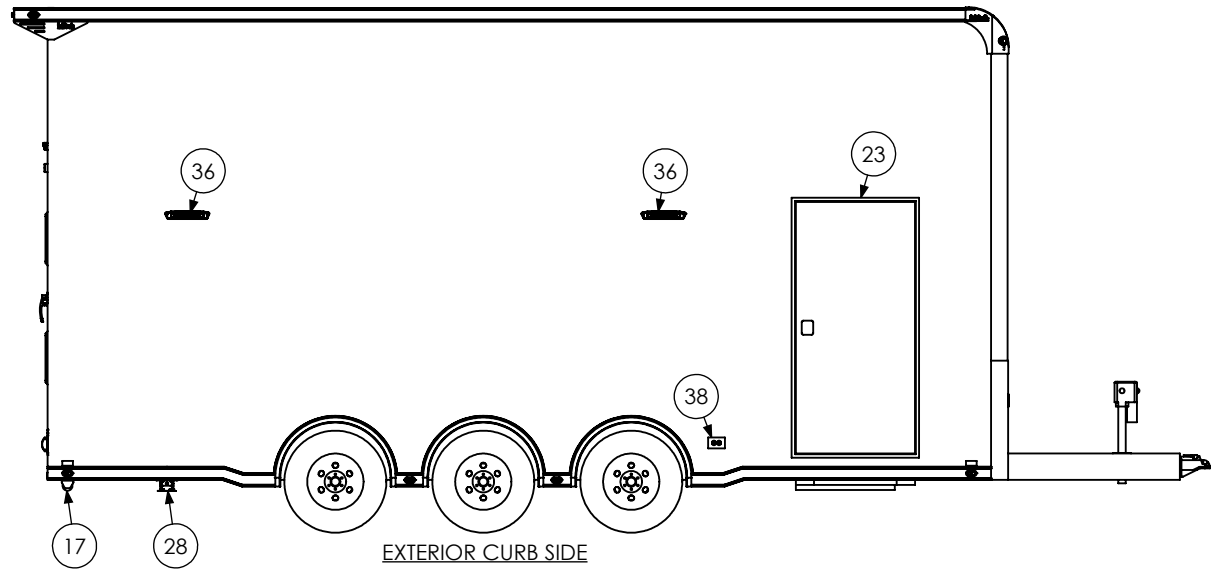
EXTERIOR FRONT



EXTERIOR ROAD SIDE



EXTERIOR REAR



EXTERIOR CURB SIDE

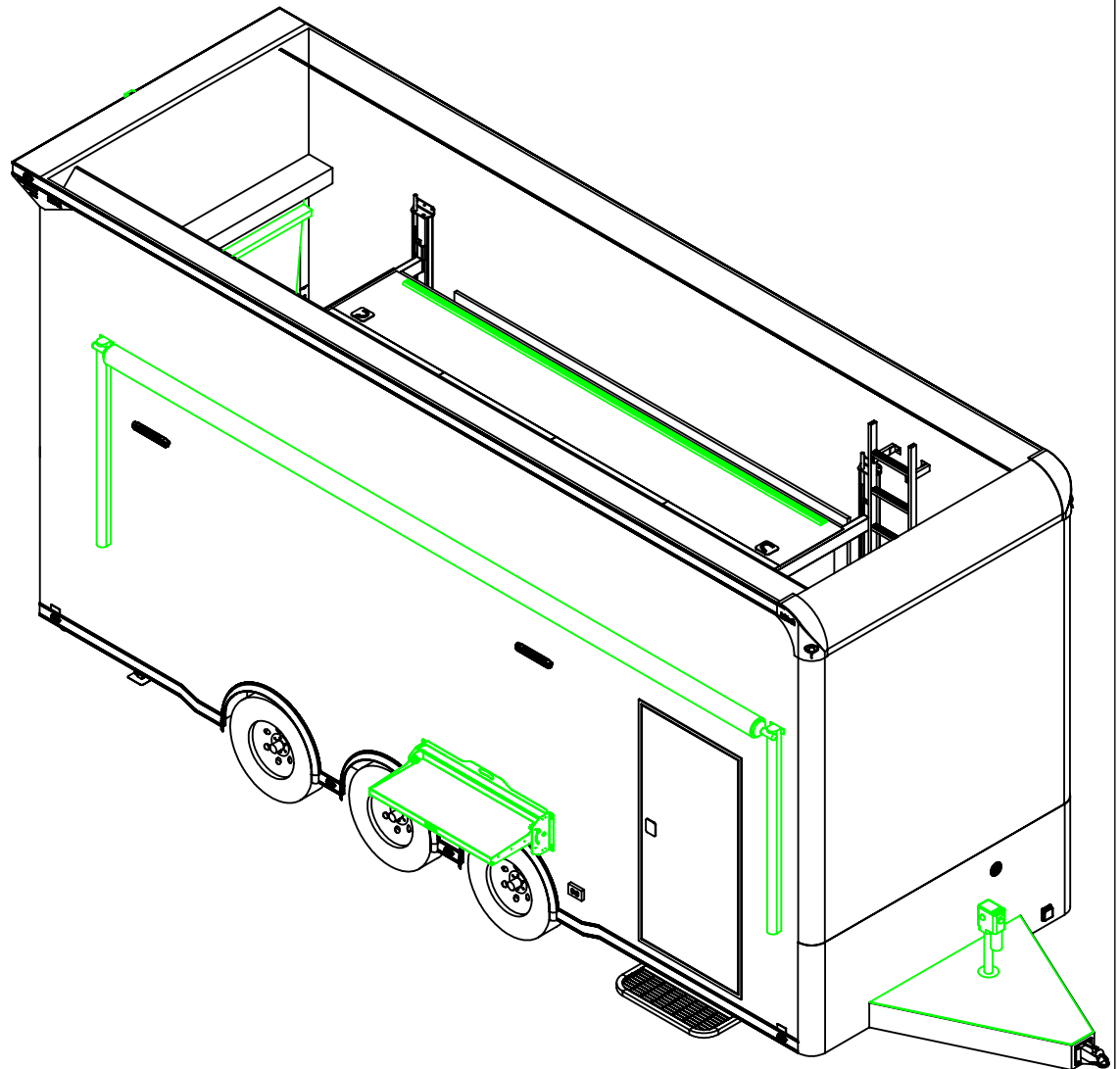
**PROPRIETARY AND CONFIDENTIAL**  
 THE INFORMATION CONTAINED IN THIS DRAWING IS THE SOLE PROPERTY OF INTECH TRAILERS. ANY REPRODUCTION IN PART OR AS A WHOLE WITHOUT THE WRITTEN PERMISSION OF INTECH TRAILERS IS PROHIBITED.

SCALE: 1:58	NAME	DATE
DRAWN	NjM	12/27/24

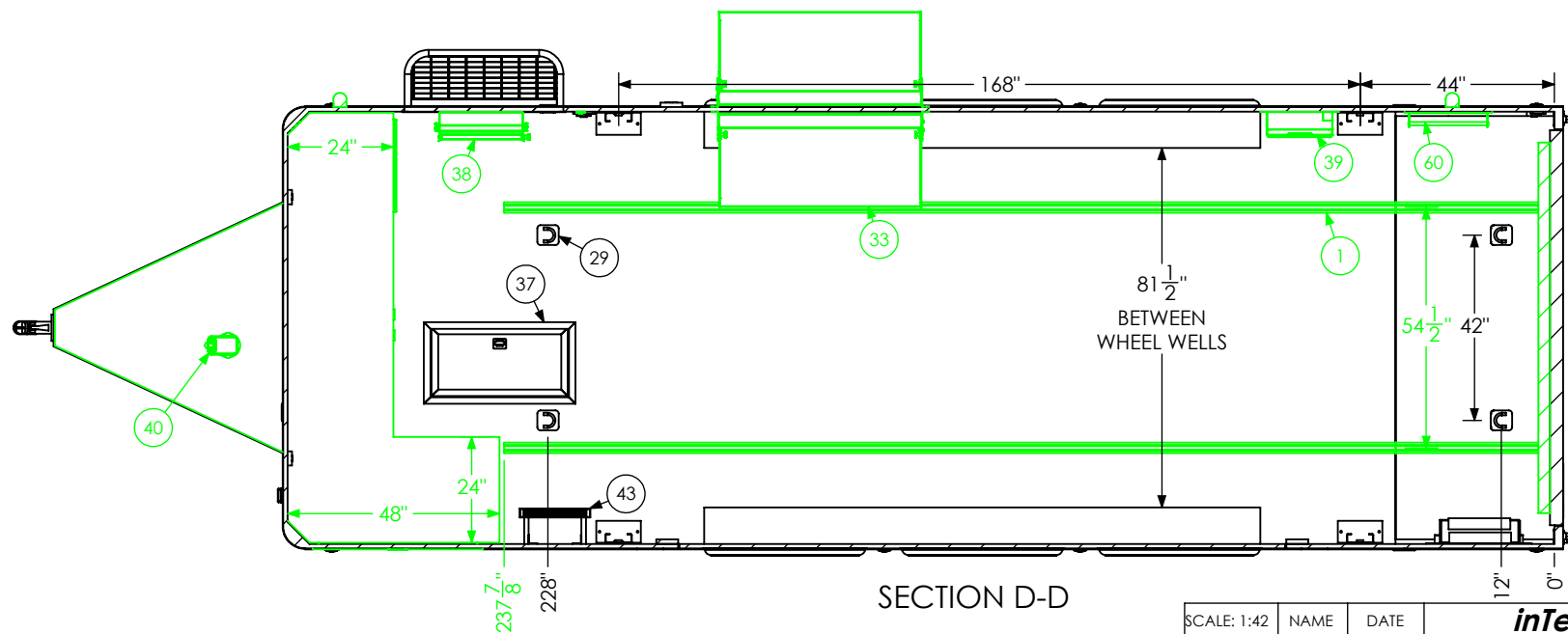
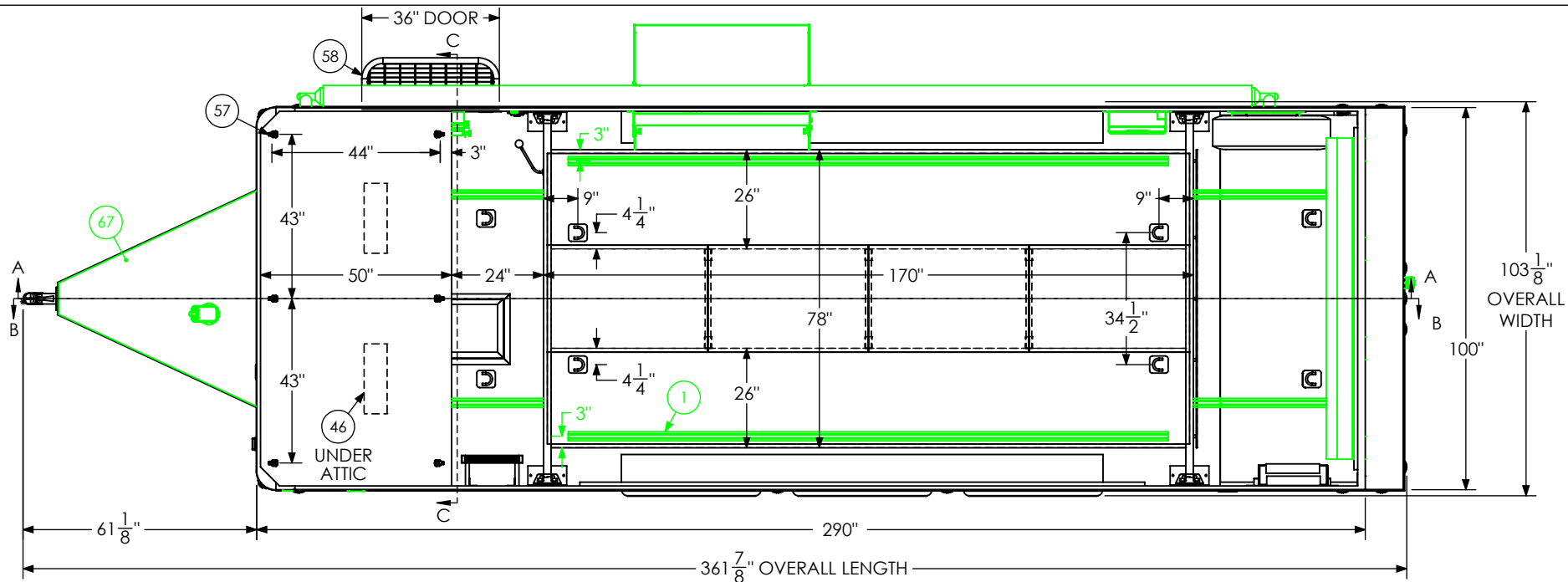
ALL DIMENSIONS ARE IN INCHES AND ARE NOMINAL. DIMENSIONS ON ACTUAL TRAILER MAY VARY FROM WHAT IS SHOWN ON PRINT BASED ON ACTUAL FRAMING AND TRAILER STRUCTURE. UNLESS NOTED AS CRITICAL.

<b><i>inTech Trailers</i></b>		
inTech - Lite Stacker BSL8.5x24TTA4 - STANDARD EXTERIOR		
DWG. NO. BSL8.5x24TTA Trailer Assembly - Standard	SHEET 5 OF 5	REV. H

ITEM NO.	FILE NAME	DESCRIPTION	QTY
1	Airline Track		2
2	Attic - BSL		1
3	Awning	21" Power	1
4	Axle, Dexter	6000#, 22.5 UP, 93HF, 78AB T	3
16	BSL Cabinet, L-Base		1
17	BSL Cabinet, Overhead		1
18	Battery Box		1
19	Battery Vent		1
20	Bumpers	3"	1
21	Camera Transmitter		1
22	Camera, Backup		1
23	Cast Corners		1
24	Caster Wheel		2
27	Coupler - Flat Nose	25K - Bulldog	1
28	Cover, Spring Assist		1
29	D-Ring	5,000	8
30	Door, Entrance	36" x 76" RHS	1
31	Door, Generator	36" x 36"	1
32	Drawer Insert	7 Drawer (inTech) 24"	1
33	Flip Down Shelf		2
36	Gen Slides - Lite Trailers		1
37	In-Floor Compartment - Lite	Hydraulics Box (14"x30")	1
38	Door Caddy Intech		1
39	Jack in the Pouch Assembly		1
40	Jack, Power	4500#	1
41	Jack, Stabilizer		2
42	LICENSE PLATE BRACKET		1
43	Ladder - BSL	16" x 106"	1
44	Lift Assembly SS -BSL	14'	1
45	Lift Ramp Storage Assembly		1
46	Light	18" 12v LED	8
47	Light, License Plate		1
48	Load Center	30 Amp L/C - 60 Amp Conv	1
49	Loading Light - LED	13.7" 12V Loading Light	3
50	Motorbase Plug	30 Amp	1
51	Outlet	120V 20 Amp	4
52	Outlet	Lift Control Plug	1
53	Paddle Latch		2
54	Ramp Extension	48" x 84"	1
57	Rope Ring		6
58	Slide Out Step	36" Wide	1
59	Spare Tire Assembly		1
60	Strap Hanger - Lite	18"	1
61	Switch	12v Cutoff	1
62	Switch	2 - 12V Switches	2
63	Switch	1 - 12V Switch	1
64	Switch	Awning Command	1
65	Tail Light	Slimline	4
66	Tire	ST235/80R16	6
67	Tongue Cover - Lite		1
71	Winch Plate		1



SCALE: 1:50	NAME	DATE	<b><i>inTech Trailers</i></b>	
DRAWN	NjM	9/2/24	inTech - Lite Stacker BSL8.5x24TTA4 OPTIONS BOM	
<small>ALL DIMENSIONS ARE IN INCHES AND ARE NOMINAL. DIMENSIONS ON ACTUAL TRAILER MAY VARY FROM WHAT IS SHOWN ON PRINT BASED ON ACTUAL FRAMING AND TRAILER STRUCTURE, UNLESS NOTED AS CRITICAL.</small>			DWG. NO.	SHEET 1 OF 5
<small>THE INFORMATION CONTAINED IN THIS DRAWING IS THE SOLE PROPERTY OF INTECH TRAILERS. ANY REPRODUCTION IN PART OR AS A WHOLE WITHOUT THE WRITTEN PERMISSION OF INTECH TRAILERS IS PROHIBITED.</small>			BSL8.5x24TTA Trailer Assembly - Option	REV. H



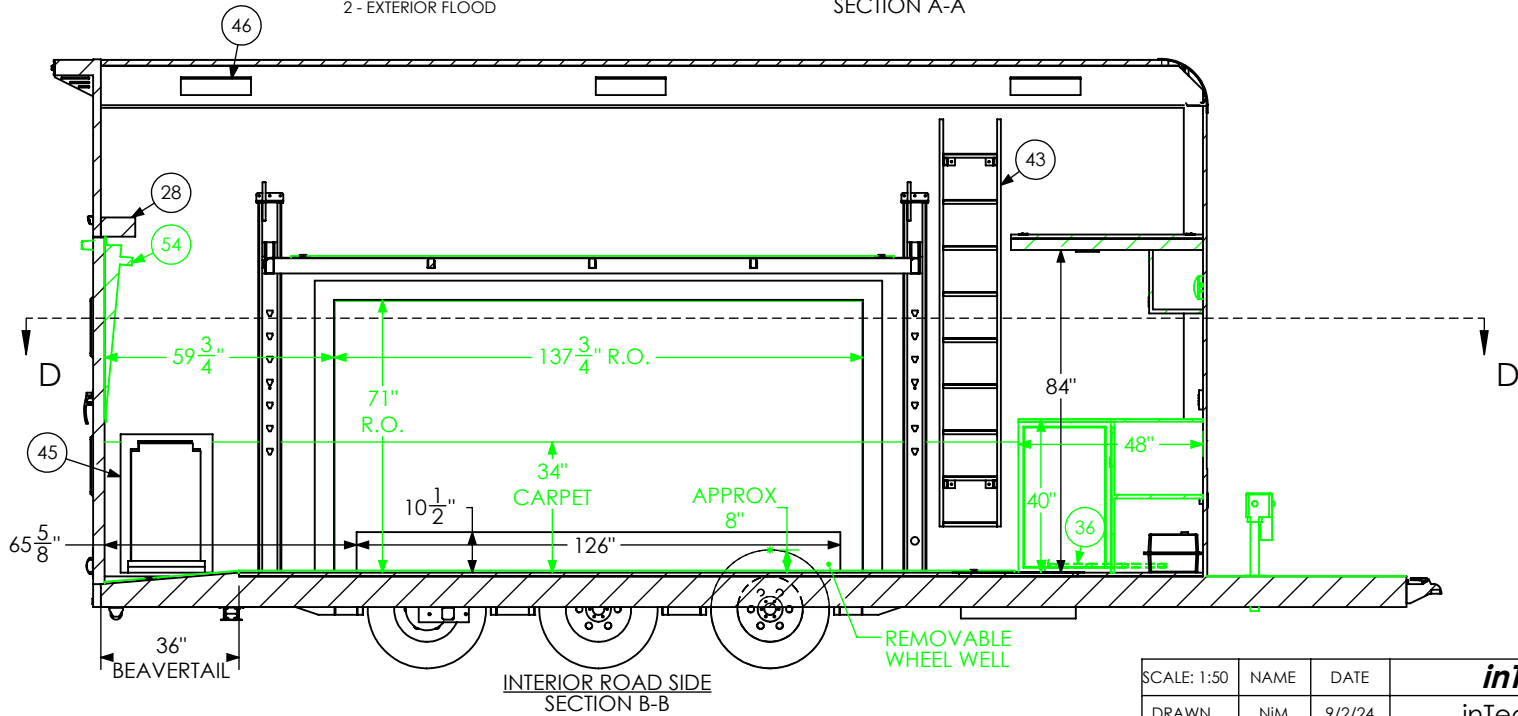
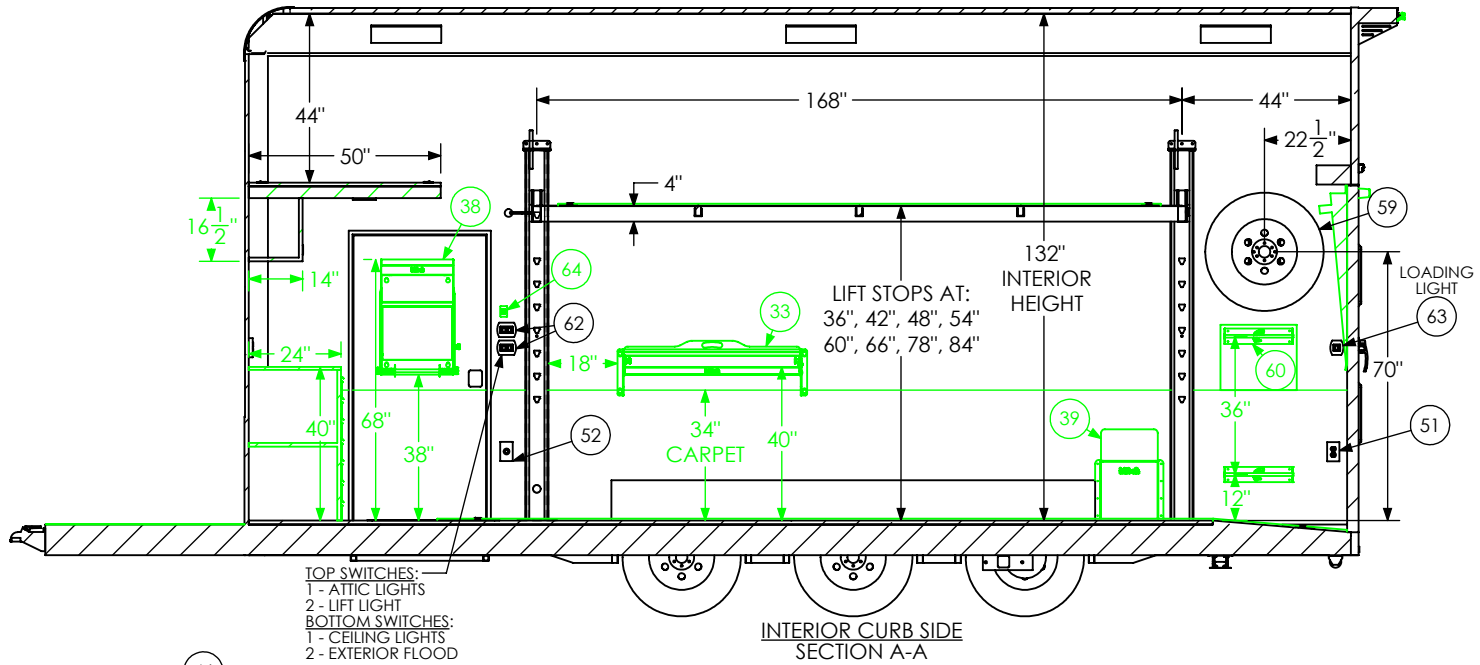
SECTION D-D

SCALE: 1:42	NAME	DATE
DRAWN	NjM	9/2/24

ALL DIMENSIONS ARE IN INCHES AND ARE NOMINAL. DIMENSIONS ON ACTUAL TRAILER MAY VARY FROM WHAT IS SHOWN ON PRINT BASED ON ACTUAL FRAMING AND TRAILER STRUCTURE. UNLESS NOTED AS CRITICAL

**PROPRIETARY AND CONFIDENTIAL**  
THE INFORMATION CONTAINED IN THIS DRAWING IS THE SOLE PROPERTY OF INTECH TRAILERS. ANY REPRODUCTION IN PART OR AS A WHOLE WITHOUT THE WRITTEN PERMISSION OF INTECH TRAILERS IS PROHIBITED.

<b>inTech Trailers</b>		
inTech - Lite Stacker BSL8.5x24TTA4 OPTIONS FLOORPLAN		
DWG. NO. BSL8.5x24TTA Trailer Assembly - Option	SHEET 2 OF 5	REV. H

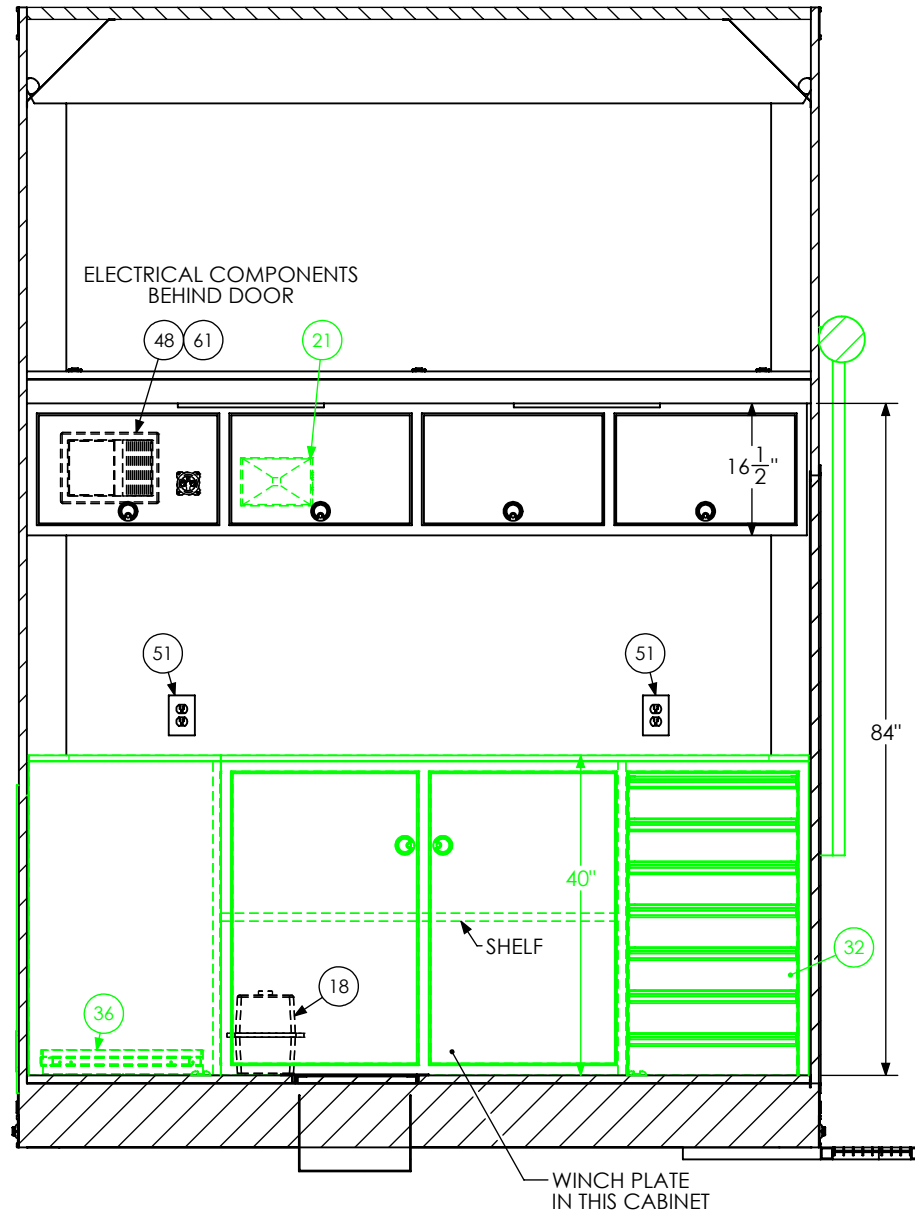


**PROPRIETARY AND CONFIDENTIAL**  
THE INFORMATION CONTAINED IN THIS DRAWING IS THE SOLE PROPERTY OF INTECH TRAILERS. ANY REPRODUCTION IN PART OR AS A WHOLE WITHOUT THE WRITTEN PERMISSION OF INTECH TRAILERS IS PROHIBITED.

SCALE: 1:50	NAME	DATE
DRAWN	NjM	9/2/24
ALL DIMENSIONS ARE IN INCHES AND ARE NOMINAL. DIMENSIONS ON ACTUAL TRAILER MAY VARY FROM WHAT IS SHOWN ON PRINT BASED ON ACTUAL FRAMING AND TRAILER STRUCTURE. UNLESS NOTED AS CRITICAL.		

<b>inTech Trailers</b>		
inTech - Lite Stacker BSL8.5x24TTA4 OPTIONS INTERIOR SIDES		
DWG. NO. BSL8.5x24TTA Trailer Assembly - Option	SHEET 3 OF 5	REV. H





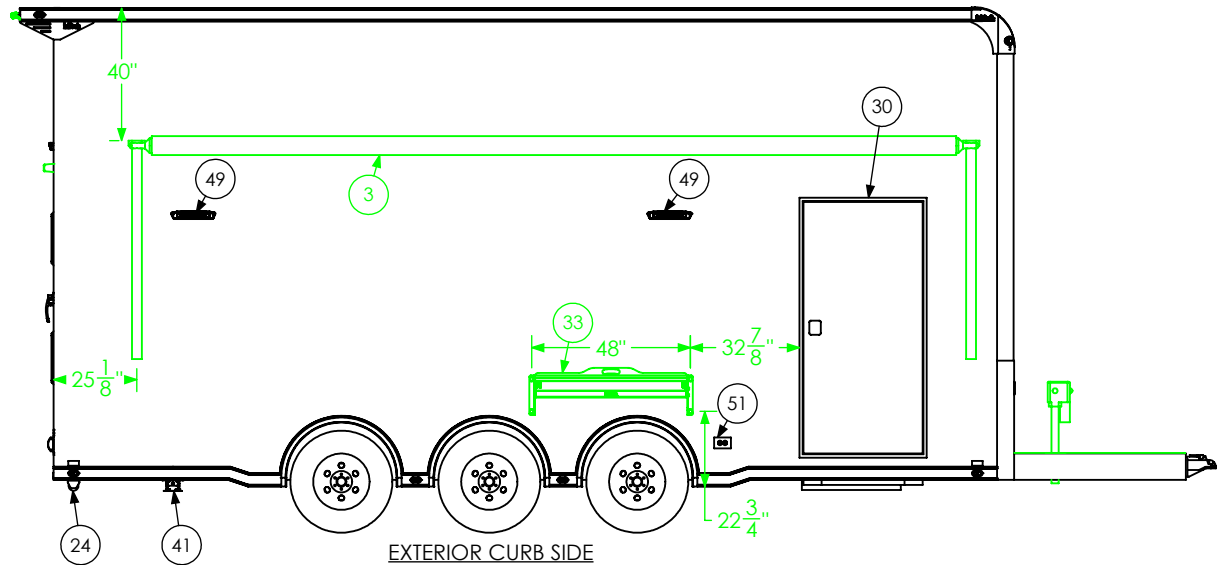
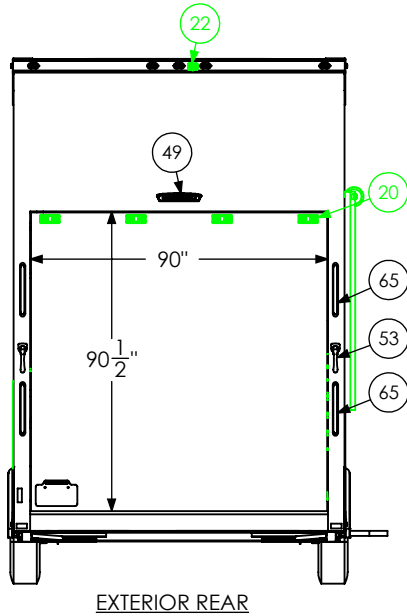
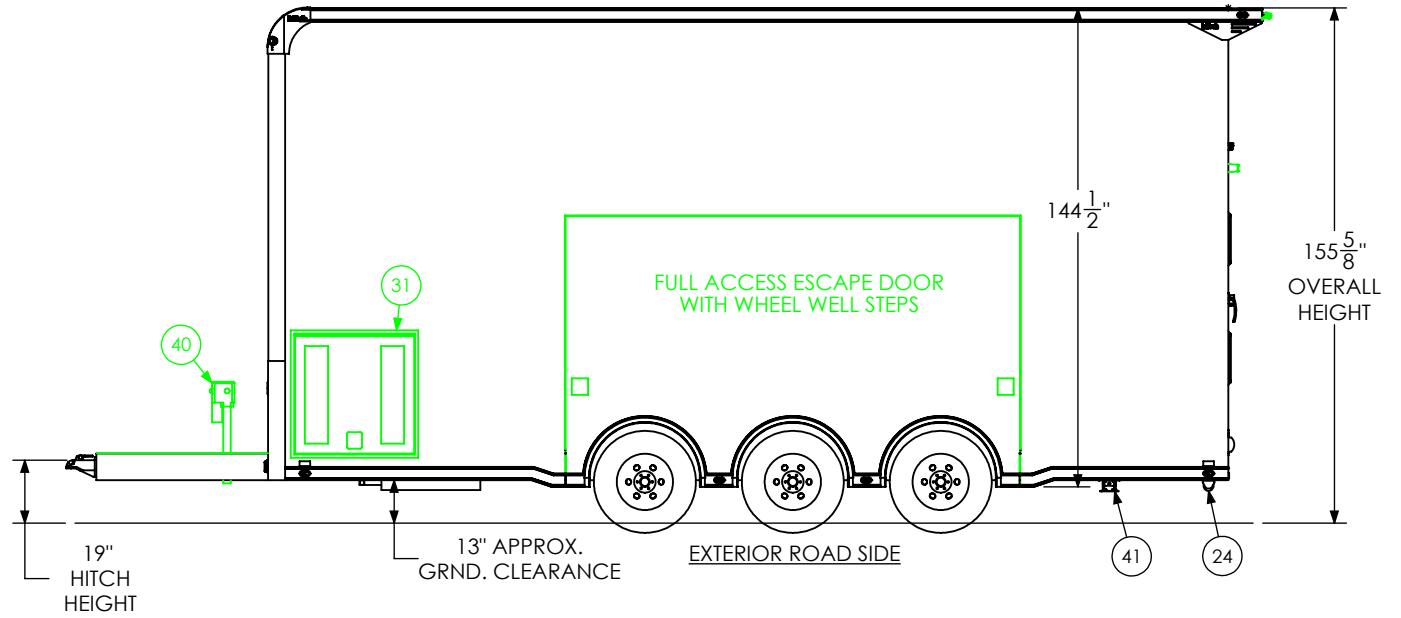
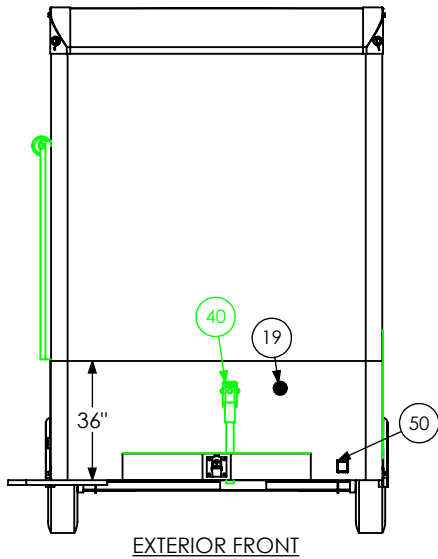
INTERIOR FRONT SECTION C-C

**PROPRIETARY AND CONFIDENTIAL**  
 THE INFORMATION CONTAINED IN THIS DRAWING IS THE SOLE PROPERTY OF INTECH TRAILERS. ANY REPRODUCTION IN PART OR AS A WHOLE WITHOUT THE WRITTEN PERMISSION OF INTECH TRAILERS IS PROHIBITED.

SCALE: 1:24	NAME	DATE
DRAWN	NjM	9/2/24

ALL DIMENSIONS ARE IN INCHES AND ARE NOMINAL. DIMENSIONS ON ACTUAL TRAILER MAY VARY FROM WHAT IS SHOWN ON PRINT BASED ON ACTUAL FRAMING AND TRAILER STRUCTURE. UNLESS NOTED AS CRITICAL

<b><i>inTech Trailers</i></b>		
inTech - Lite Stacker BSL8.5x24TTA4 OPTIONS INTERIOR FRONT		
DWG. NO. BSL8.5x24TTA Trailer Assembly - Option	SHEET 4 OF 5	REV. H



**PROPRIETARY AND CONFIDENTIAL**  
THE INFORMATION CONTAINED IN THIS DRAWING IS THE SOLE PROPERTY OF INTECH TRAILERS. ANY REPRODUCTION IN PART OR AS A WHOLE WITHOUT THE WRITTEN PERMISSION OF INTECH TRAILERS IS PROHIBITED.

SCALE: 1:58 NAME DATE

DRAWN NjM 9/2/24

ALL DIMENSIONS ARE IN INCHES AND ARE NOMINAL. DIMENSIONS ON ACTUAL TRAILER MAY VARY FROM WHAT IS SHOWN ON PRINT BASED ON ACTUAL FRAMING AND TRAILER STRUCTURE. UNLESS NOTED AS CRITICAL

<b><i>inTech Trailers</i></b>		
inTech - Lite Stacker BSL8.5x24TTA4 OPTIONS EXTERIOR		
DWG. NO. BSL8.5x24TTA Trailer Assembly - Option	SHEET 5 OF 5	REV. H