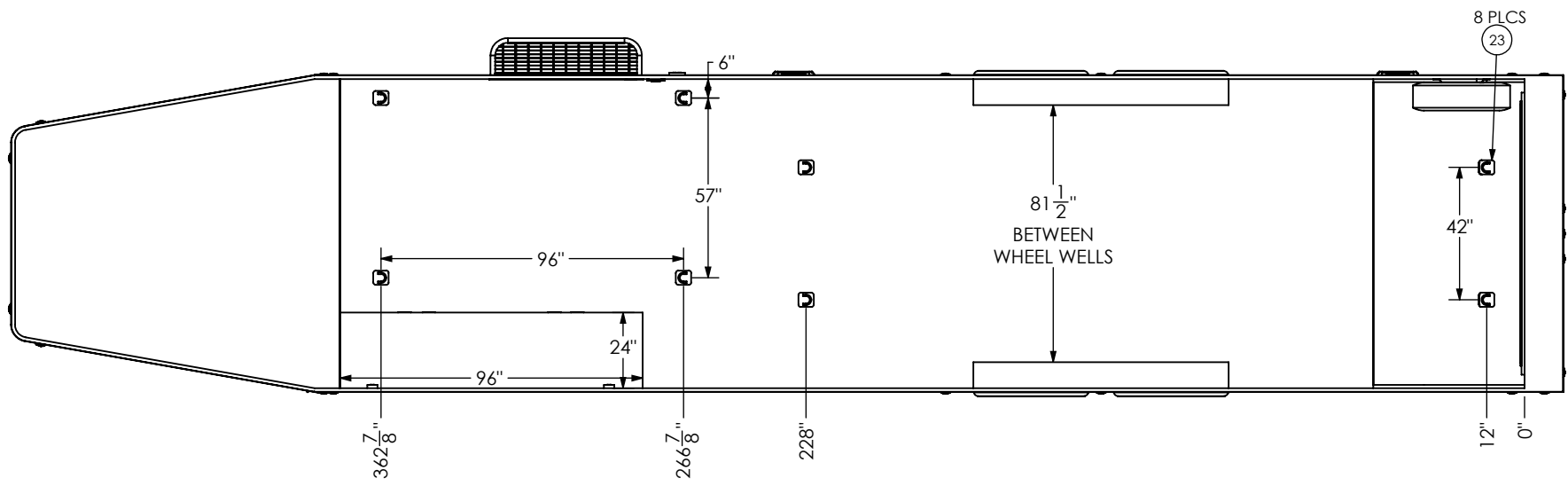
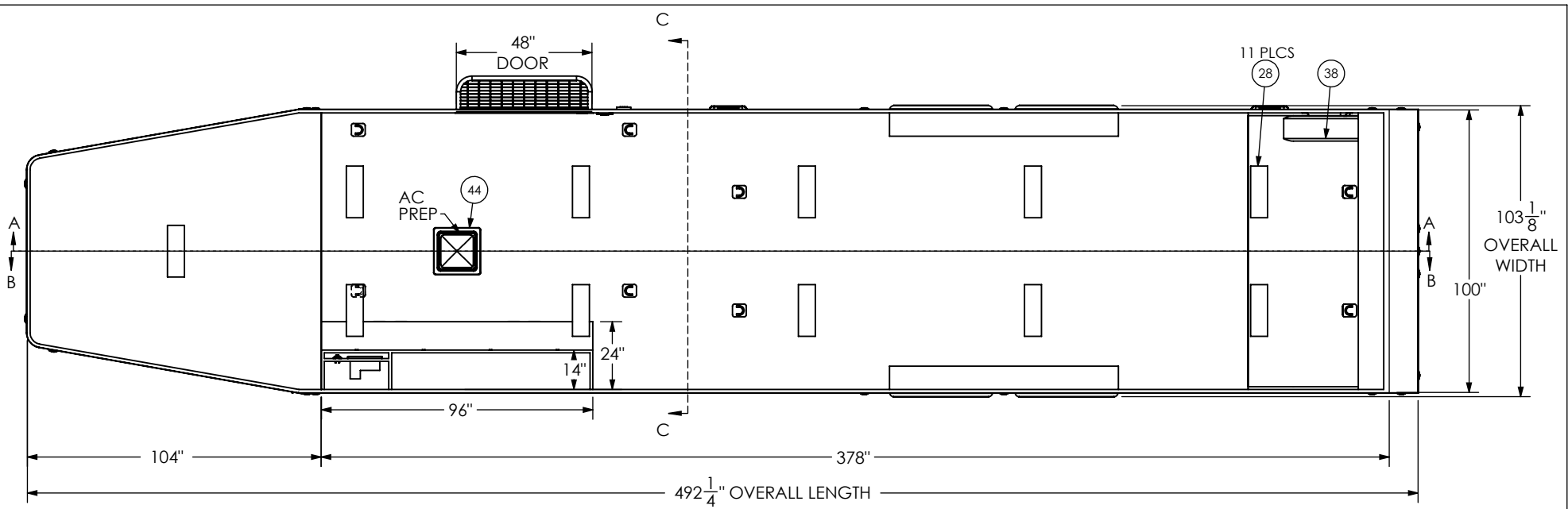


ITEM NO.	FILE NAME	DESCRIPTION	STD/ QTY.
1	Axle, Dexter	7000#, 22.5 UP, 93HF, 78AB	2
11	BGL Cabinet, Base -		1
12	BGL Cabinet, Overhead -		1
13	Bar Lock -		2
14	Battery Box		1
15	Battery Tray	Single Battery Tray	1
16	Battery Vent		1
17	Bumpers	1"	1
18	Caster Wheel		2
21	Coupler, GN	5575	1
22	Cover, Spring Assist		1
23	D-Ring	5,000	8
24	Door, Entrance	48" x 76" RHS	1
25	LICENSE PLATE BRACKET		1
26	Landing Gear GN		2
28	Light	18" 12v LED	11
29	Light, License Plate		1
30	Load Center	30 Amp L/C - 60 Amp Conv	1
31	Loading Light - LED	13.7" 12V Loading Light	2
32	Motorbase Plug	30 Amp	1
33	Outlet	120V 20 Amp	4
34	Ramp Extension	16" Transition Flap	1
37	Slide Out Step	48" Wide	1
38	Spare Tire Assembly		1
39	Switch	12v Cutoff	1
40	Switch	3 - 12V Switches	1
41	Switch	Roof Vent	1
42	Tail Light	Slimline	2
43	Tire	ST235/85R16	4
44	Vent, Roof -	Manual	1

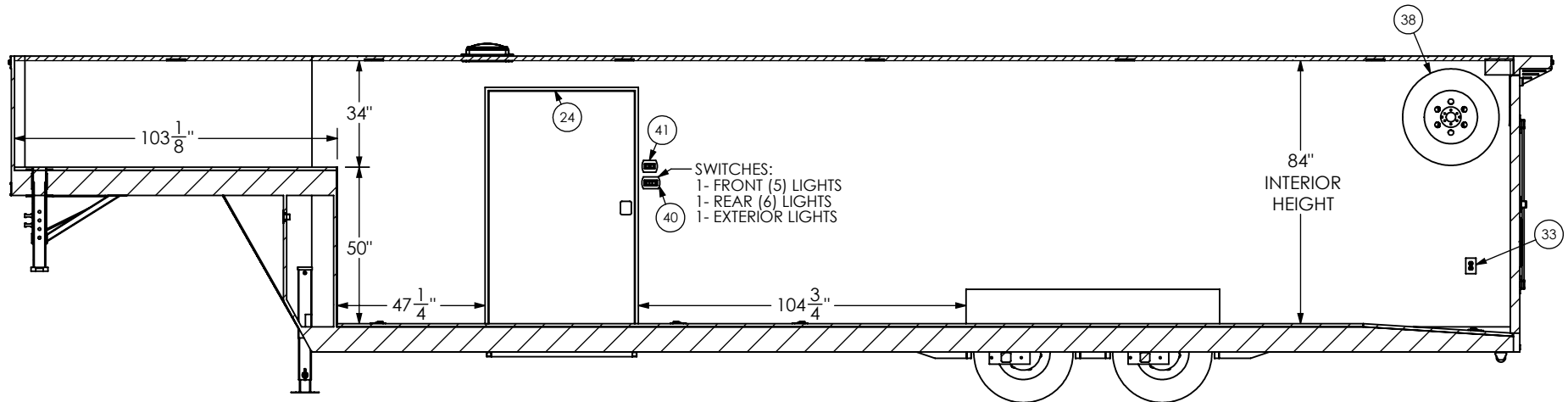
**PROPRIETARY AND CONFIDENTIAL**  
 THE INFORMATION CONTAINED IN THIS DRAWING IS THE  
 SOLE PROPERTY OF INTECH TRAILERS. ANY REPRODUCTION  
 IN PART OR AS A WHOLE WITHOUT THE WRITTEN PERMISSION  
 OF INTECH TRAILERS IS PROHIBITED.

SCALE: 1:65	NAME	DATE	<b><i>inTech Trailers</i></b>	
DRAWN	NjM	12/6/22		
ALL DIMENSIONS ARE IN INCHES AND ARE NOMINAL. DIMENSIONS ON ACTUAL TRAILER MAY VARY FROM WHAT IS SHOWN ON PRINT BASED ON ACTUAL FRAMING AND TRAILER STRUCTURE. UNLESS NOTED AS CRITICAL			inTech Lite BGL8.5x40TA5 STANDARD BOM	
DWG. NO.		SHEET 1 OF 5		REV.
BGL8.5x40TA Trailer Assembly - STD				E

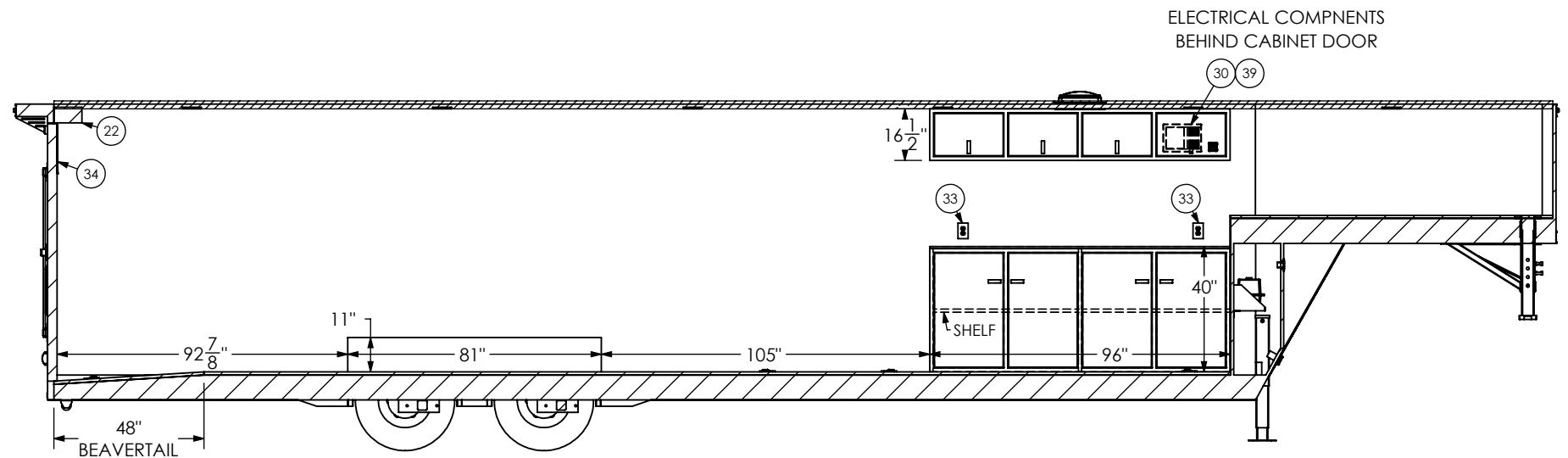


SCALE: 1:54	NAME	DATE	<b><i>inTech Trailers</i></b>		
DRAWN	NjM	12/6/22			inTech Lite BGL8.5x40TA5 STANDARD FLOORPLAN
ALL DIMENSIONS ARE IN INCHES AND ARE NOMINAL. DIMENSIONS ON ACTUAL TRAILER MAY VARY FROM WHAT IS SHOWN ON PRINT BASED ON ACTUAL FRAMING AND TRAILER STRUCTURE. UNLESS NOTED AS CRITICAL			DWG. NO. BGL8.5x40TA Trailer Assembly - STD	SHEET 2 OF 5	REV. E

**PROPRIETARY AND CONFIDENTIAL**  
 THE INFORMATION CONTAINED IN THIS DRAWING IS THE  
 SOLE PROPERTY OF INTECH TRAILERS. ANY REPRODUCTION  
 IN PART OR AS A WHOLE WITHOUT THE WRITTEN PERMISSION  
 OF INTECH TRAILERS IS PROHIBITED.



INTERIOR CURB SIDE  
SECTION A-A

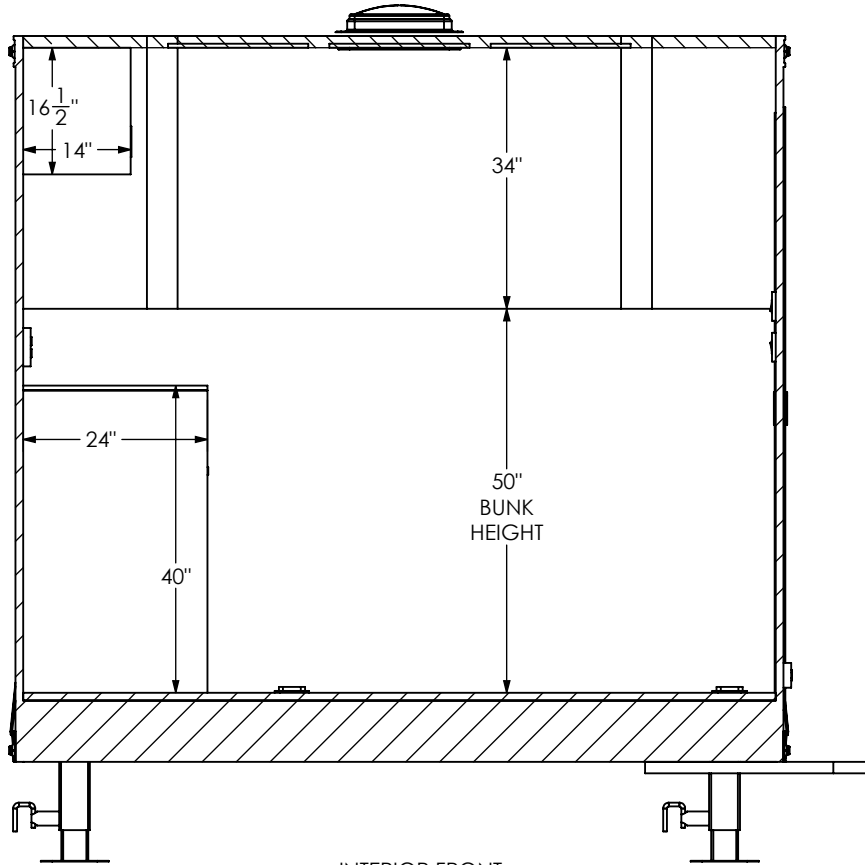


INTERIOR ROAD SIDE  
SECTION B-B

ELECTRICAL COMPONENTS  
BEHIND CABINET DOOR

SCALE: 1:52	NAME	DATE	<b><i>inTech Trailers</i></b>		
DRAWN	NjM	12/6/22			inTech Lite BGL8.5x40TA5 STANDARD INTERIOR SIDES
<small>ALL DIMENSIONS ARE IN INCHES AND ARE NOMINAL. DIMENSIONS ON ACTUAL TRAILER MAY VARY FROM WHAT IS SHOWN ON PRINT BASED ON ACTUAL FRAMING AND TRAILER STRUCTURE. UNLESS NOTED AS CRITICAL.</small>			DWG. NO.	SHEET 3 OF 5	REV.
			BGL8.5x40TA Trailer Assembly - STD	E	

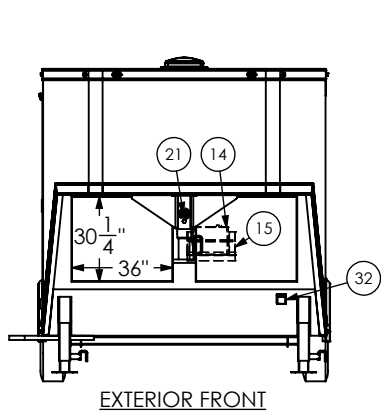
**PROPRIETARY AND CONFIDENTIAL**  
 THE INFORMATION CONTAINED IN THIS DRAWING IS THE SOLE PROPERTY OF INTECH TRAILERS. ANY REPRODUCTION IN PART OR AS A WHOLE WITHOUT THE WRITTEN PERMISSION OF INTECH TRAILERS IS PROHIBITED.



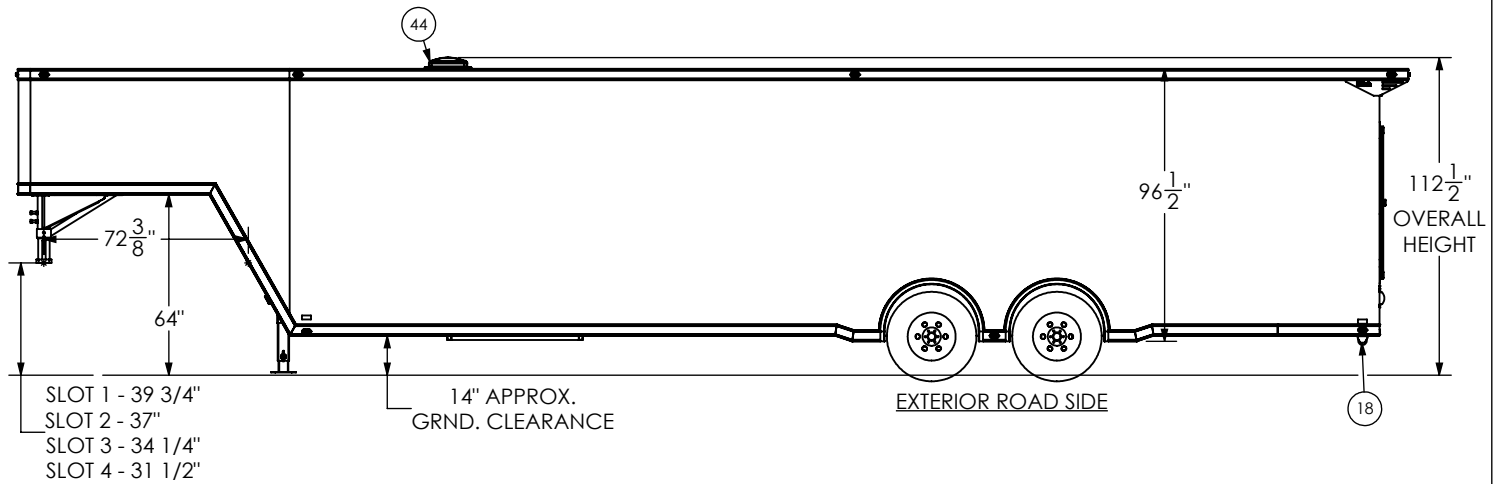
INTERIOR FRONT  
SECTION C-C

**PROPRIETARY AND CONFIDENTIAL**  
THE INFORMATION CONTAINED IN THIS DRAWING IS THE SOLE PROPERTY OF INTECH TRAILERS. ANY REPRODUCTION IN PART OR AS A WHOLE WITHOUT THE WRITTEN PERMISSION OF INTECH TRAILERS IS PROHIBITED.

SCALE: 1:25	NAME	DATE	<b><i>inTech Trailers</i></b>	
DRAWN	NjM	12/6/22		
ALL DIMENSIONS ARE IN INCHES AND ARE NOMINAL. DIMENSIONS ON ACTUAL TRAILER MAY VARY FROM WHAT IS SHOWN ON PRINT BASED ON ACTUAL FRAMING AND TRAILER STRUCTURE. UNLESS NOTED AS CRITICAL			inTech Lite BGL8.5x40TA5 STANDARD INTERIOR FRONT	
			DWG. NO. BGL8.5x40TA Trailer Assembly - STD	SHEET 4 OF 5

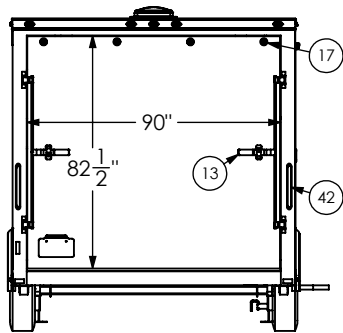


EXTERIOR FRONT

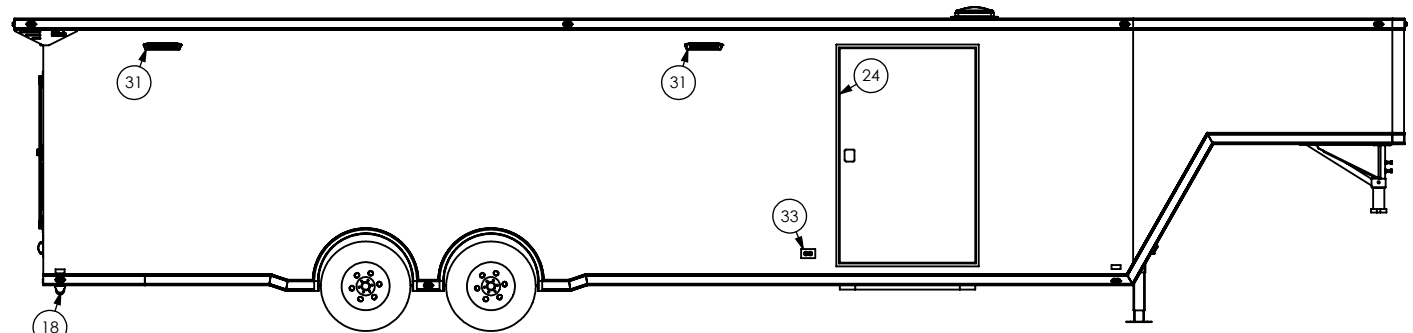


- SLOT 1 - 39 3/4"
- SLOT 2 - 37"
- SLOT 3 - 34 1/4"
- SLOT 4 - 31 1/2"

EXTERIOR ROAD SIDE



EXTERIOR REAR



EXTERIOR CURB SIDE

SCALE: 1:68	NAME	DATE
DRAWN	NjM	12/6/22

ALL DIMENSIONS ARE IN INCHES AND ARE NOMINAL. DIMENSIONS ON ACTUAL TRAILER MAY VARY FROM WHAT IS SHOWN ON PRINT BASED ON ACTUAL FRAMING AND TRAILER STRUCTURE. UNLESS NOTED AS CRITICAL

**PROPRIETARY AND CONFIDENTIAL**  
THE INFORMATION CONTAINED IN THIS DRAWING IS THE SOLE PROPERTY OF INTECH TRAILERS. ANY REPRODUCTION IN PART OR AS A WHOLE WITHOUT THE WRITTEN PERMISSION OF INTECH TRAILERS IS PROHIBITED.

<b><i>inTech Trailers</i></b>		
inTech Lite BGL8.5x40TA5 STANDARD EXTERIOR		
DWG. NO. BGL8.5x40TA Trailer Assembly - STD	SHEET 5 OF 5	REV. E