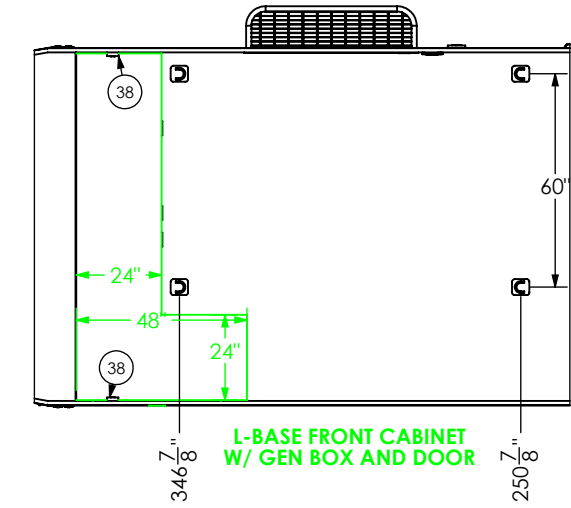
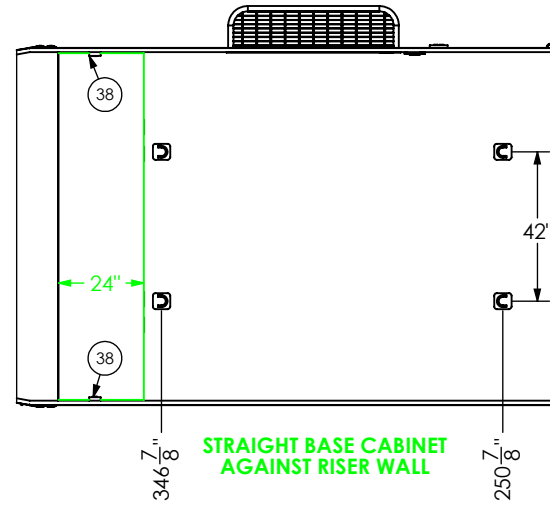
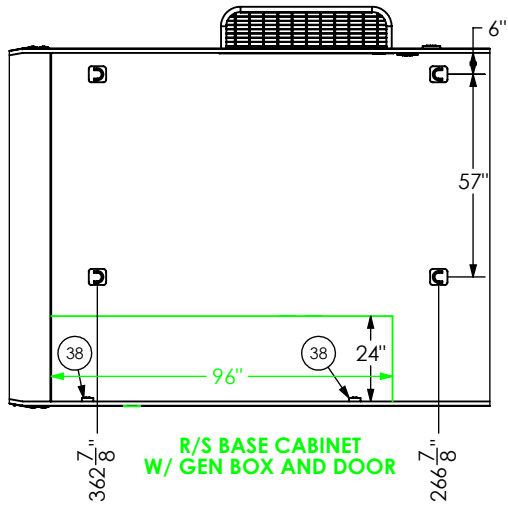
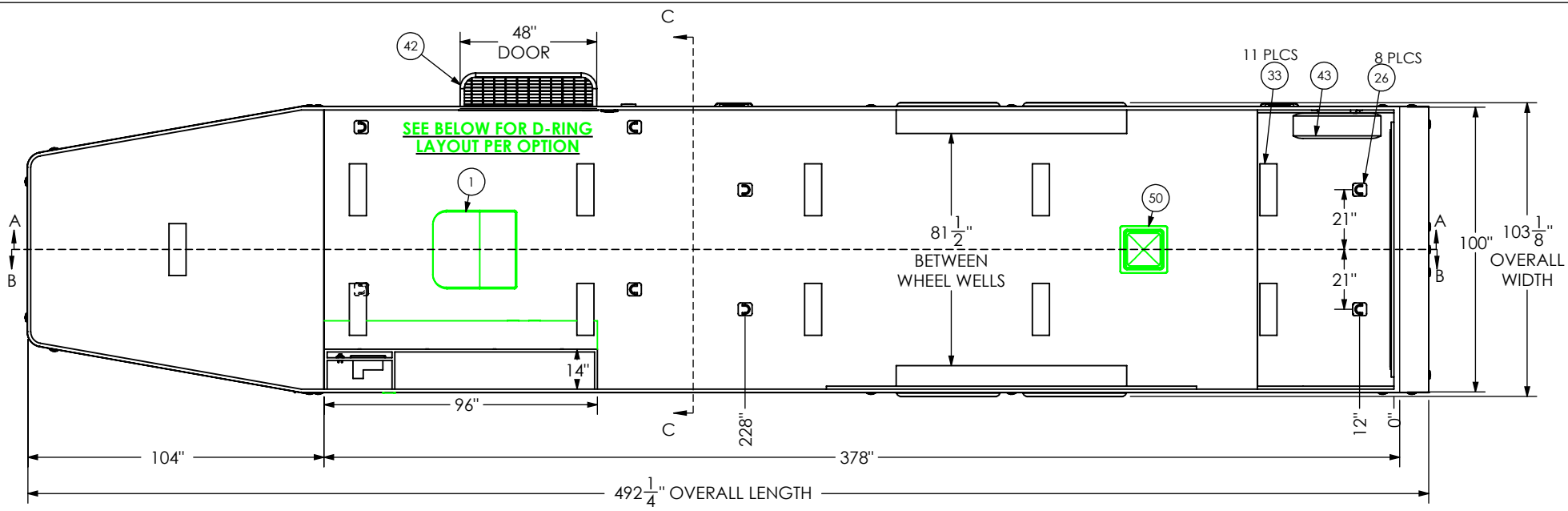


| ITEM NO. | FILE NAME | DESCRIPTION | QTY. |
|----------|--------------------------------|----------------------------|------|
| 1 | Air Conditioner | 13,500 BTU | 1 |
| 2 | Axle, Dexter | 7000#, 22.5 UP, 93HF, 78AB | 2 |
| 12 | BGL Cabinet, Base - | | 1 |
| 13 | BGL Cabinet, Overhead - | | 1 |
| 16 | Bar Lock - | | 2 |
| 17 | Battery Box | | 1 |
| 18 | Battery Tray | Single Battery Tray | 1 |
| 19 | Battery Vent | | 1 |
| 20 | Bumpers | 1" | 1 |
| 21 | Caster Wheel | | 2 |
| 24 | Coupler, GN | 5575 | 1 |
| 25 | Cover, Spring Assist | | 1 |
| 26 | D-Ring | 5,000 | 8 |
| 27 | Door, Entrance | 48" x 76" RHS | 1 |
| 28 | Door, Generator | 36" x 36" | 1 |
| 29 | Hydraulic Jack - Stacker | | 1 |
| 30 | LICENSE PLATE BRACKET | | 1 |
| 31 | Landing Gear GN | | 2 |
| 32 | Landing Gear GN-connecting rod | | 1 |
| 33 | Light | 18" 12v LED | 11 |
| 34 | Light, License Plate | | 1 |
| 35 | Load Center | 30 Amp L/C - 60 Amp Conv | 1 |
| 36 | Loading Light - LED | 13.7" 12V Loading Light | 2 |
| 37 | Motorbase Plug | 30 Amp | 1 |
| 38 | Outlet | 120V 20 Amp | 4 |
| 39 | Ramp Extension | 16" Transition Flap | 1 |
| 42 | Slide Out Step | 48" Wide | 1 |
| 43 | Spare Tire Assembly | | 1 |
| 44 | Switch | 12v Cutoff | 1 |
| 45 | Switch | Jack | 1 |
| 46 | Switch | 3 - 12V Switches | 1 |
| 47 | Switch | Roof Vent | 1 |
| 48 | Tail Light | Slimline | 2 |
| 49 | Tire | ST235/85R16 | 4 |
| 50 | Vent, Roof - | Manual | 1 |

| | | | | |
|--------------------------------------------------------------------------------------------------------------------------------------------------------------------------------------------------------|------|--------------|-------------------------------|------|
| SCALE: 1:65 | NAME | DATE | <i>inTech Trailers</i> | |
| DRAWN | NjM | 1/9/23 | | |
| <small>ALL DIMENSIONS ARE IN INCHES AND ARE NOMINAL. DIMENSIONS ON ACTUAL TRAILER MAY VARY FROM WHAT IS SHOWN ON PRINT BASED ON ACTUAL FRAMING AND TRAILER STRUCTURE. UNLESS NOTED AS CRITICAL</small> | | | inTech Lite | |
| | | | BGL8.5x40TA5 - OPTIONS BOM | |
| DWG. NO. | | SHEET 1 OF 5 | | REV. |
| BGL8.5x40TA Trailer Assembly - Options | | | | G |

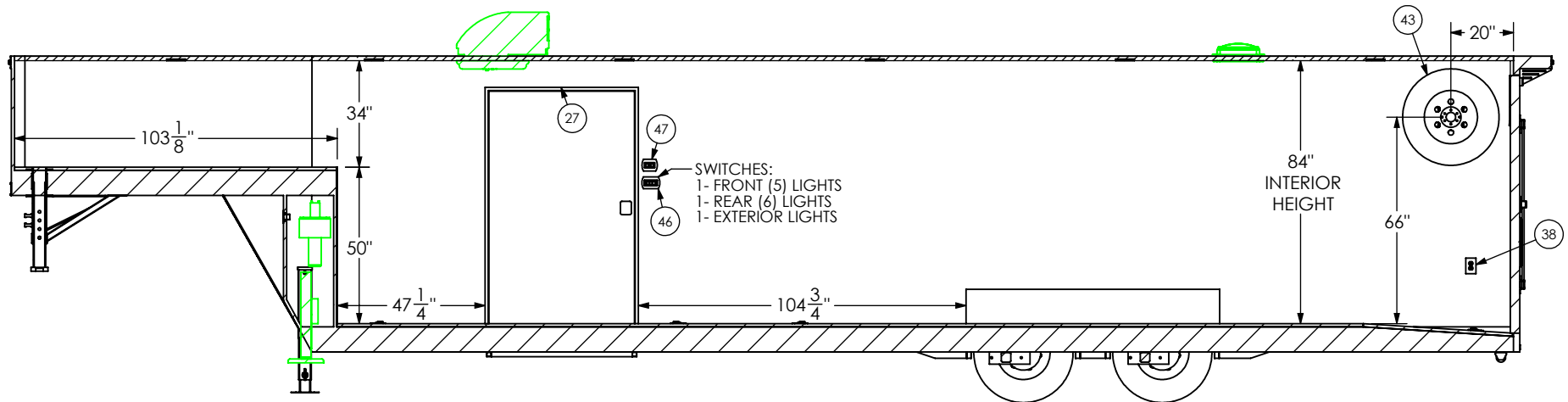
PROPRIETARY AND CONFIDENTIAL
 THE INFORMATION CONTAINED IN THIS DRAWING IS THE SOLE PROPERTY OF INTECH TRAILERS. ANY REPRODUCTION IN PART OR AS A WHOLE WITHOUT THE WRITTEN PERMISSION OF INTECH TRAILERS IS PROHIBITED.



PROPRIETARY AND CONFIDENTIAL
 THE INFORMATION CONTAINED IN THIS DRAWING IS THE
 SOLE PROPERTY OF INTECH TRAILERS. ANY REPRODUCTION
 IN PART OR AS A WHOLE WITHOUT THE WRITTEN PERMISSION
 OF INTECH TRAILERS IS PROHIBITED.

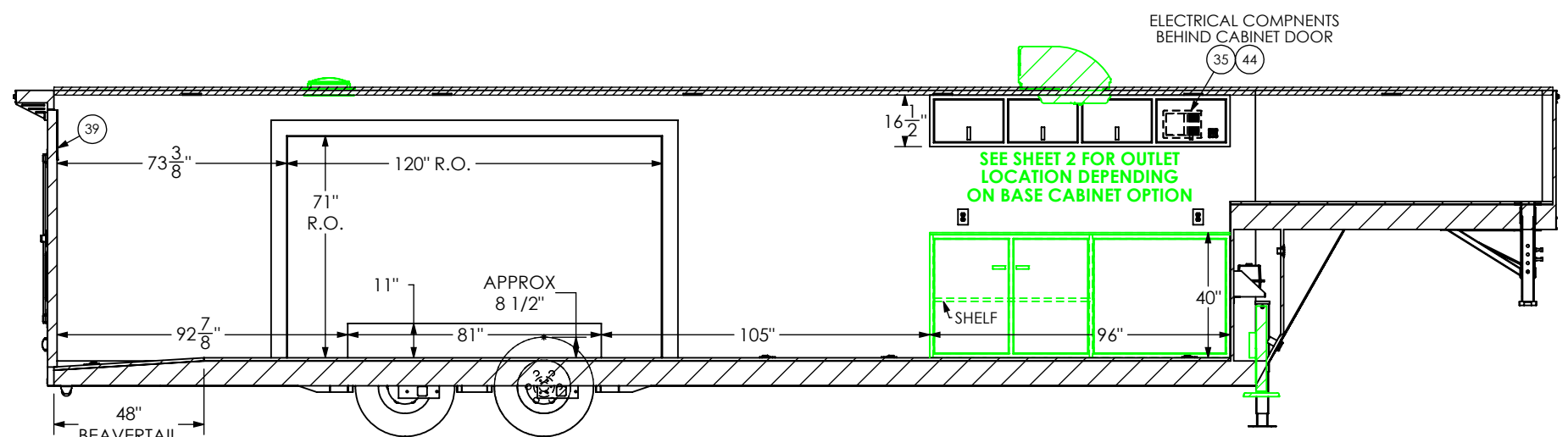
| | | |
|-----------------------------------------------------------------------------------------------------------------------------------------------------------------------------------------------------------|------|--------|
| SCALE: 1:54 | NAME | DATE |
| DRAWN | NjM | 1/9/23 |
| ALL DIMENSIONS ARE IN INCHES AND ARE NOMINAL. DIMENSIONS ON ACTUAL TRAILER MAY VARY FROM WHAT IS SHOWN ON PRINT BASED ON ACTUAL FRAMING AND TRAILER STRUCTURE. UNLESS NOTED AS CRITICAL | | |

| | | |
|----------------------------------------------------|--------------|-----------|
| inTech Trailers | | |
| inTech Lite BGL8.5x40TA5 - OPTIONS FLOORPLAN | | |
| DWG. NO. BGL8.5x40TA Trailer Assembly - Options | SHEET 2 OF 5 | REV. G |



SWITCHES:
 1- FRONT (5) LIGHTS
 1- REAR (6) LIGHTS
 1- EXTERIOR LIGHTS

INTERIOR CURB SIDE
SECTION A-A



ELECTRICAL COMPONENTS
BEHIND CABINET DOOR

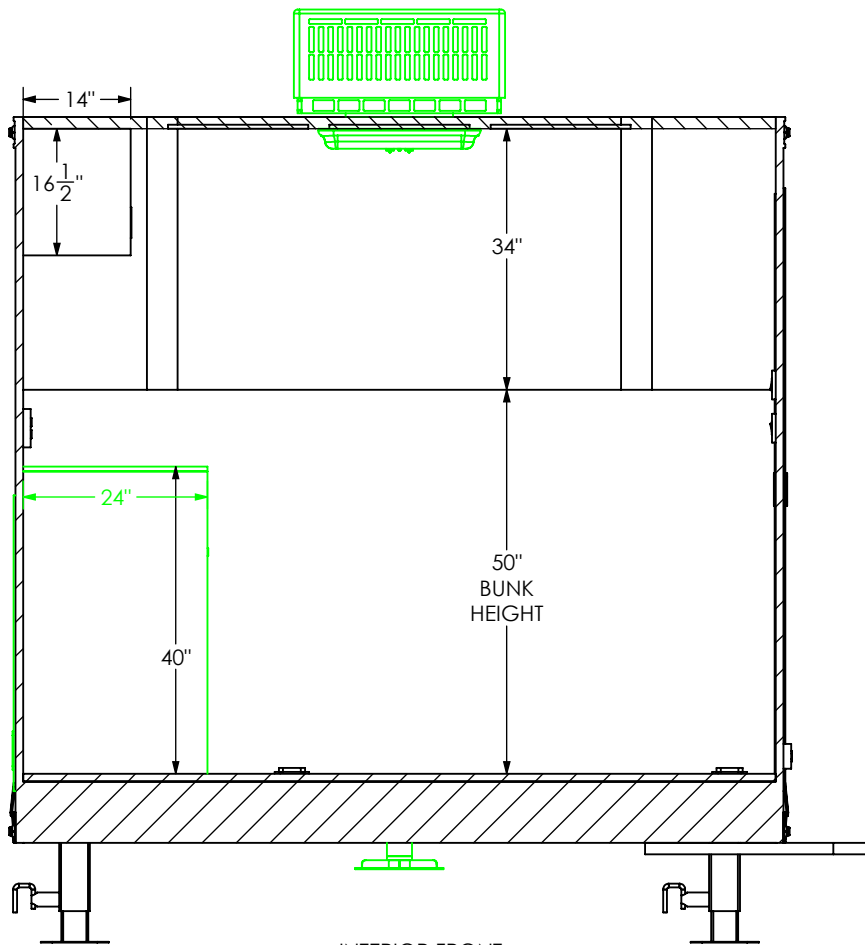
SEE SHEET 2 FOR OUTLET
LOCATION DEPENDING
ON BASE CABINET OPTION

INTERIOR ROAD SIDE
SECTION B-B

PROPRIETARY AND CONFIDENTIAL
 THE INFORMATION CONTAINED IN THIS DRAWING IS THE
 SOLE PROPERTY OF INTECH TRAILERS. ANY REPRODUCTION
 IN PART OR AS A WHOLE WITHOUT THE WRITTEN PERMISSION
 OF INTECH TRAILERS IS PROHIBITED.

| | | |
|-----------------------------------------------------------------------------------------------------------------------------------------------------------------------------------------------------------|------|--------|
| SCALE: 1:52 | NAME | DATE |
| DRAWN | NjM | 1/9/23 |
| ALL DIMENSIONS ARE IN INCHES AND ARE NOMINAL. DIMENSIONS ON ACTUAL TRAILER MAY VARY FROM WHAT IS SHOWN ON PRINT BASED ON ACTUAL FRAMING AND TRAILER STRUCTURE. UNLESS NOTED AS CRITICAL | | |

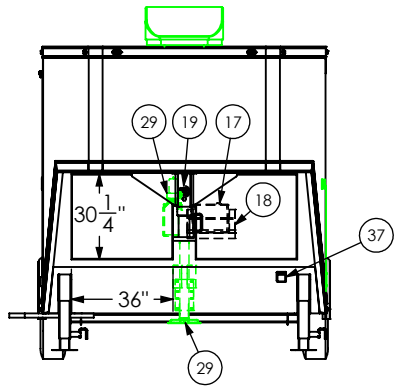
| | | |
|---------------------------------------------------------|--------------|-----------|
| inTech Trailers | | |
| inTech Lite BGL8.5x40TA5 - OPTIONS INTERIOR SIDES | | |
| DWG. NO. BGL8.5x40TA Trailer Assembly - Options | SHEET 3 OF 5 | REV. G |



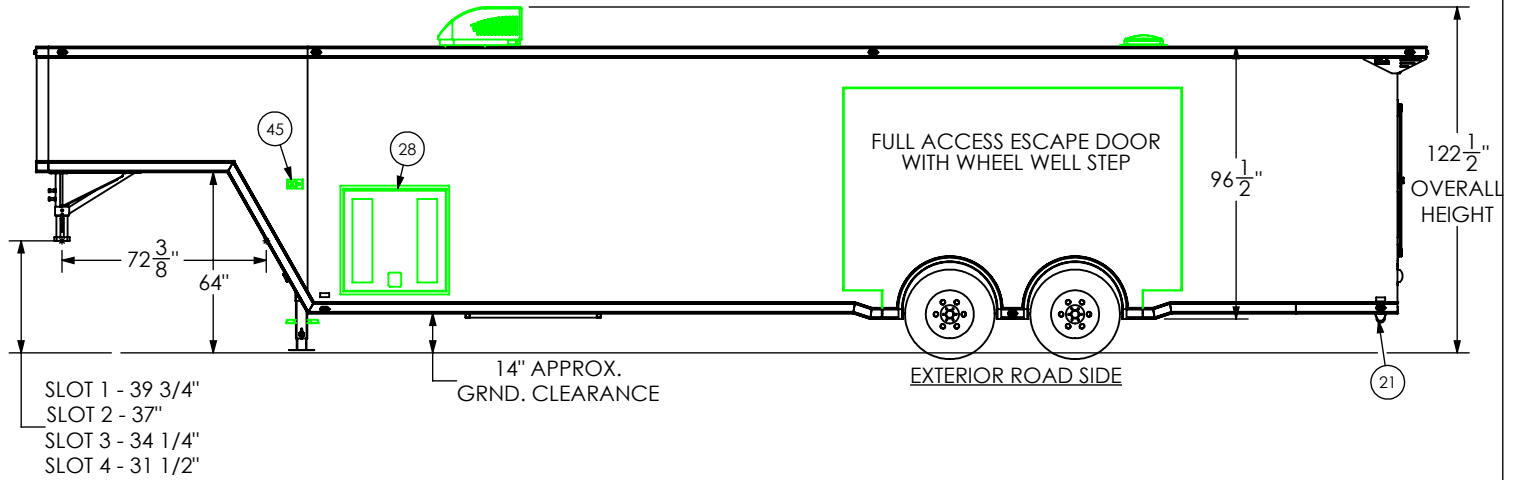
INTERIOR FRONT
SECTION C-C

| | | | | |
|------------------------------------------------------------------------------------------------------------------------------------------------------------------------------------------|------|--------|---------------------------------------------------------------------------------------|------|
| | NAME | DATE | inTech Trailers inTech Lite BGL8.5x40TA5 - OPTIONS INTERIOR FRONT | |
| DRAWN | NJM | 1/9/23 | | |
| CHECKED | | | | |
| ENG APPR. | | | | |
| ALL DIMENSIONS ARE IN INCHES AND ARE NOMINAL. DIMENSIONS ON ACTUAL TRAILER MAY VARY FROM WHAT IS SHOWN ON PRINT BASED ON ACTUAL FRAMING AND TRAILER STRUCTURE. UNLESS NOTED AS CRITICAL. | | | DWG. NO. | REV. |
| | | | BGL8.5x40TA Trailer Assembly - Options | G |
| SCALE: 1:25 | | | SHEET 4 OF 5 | |

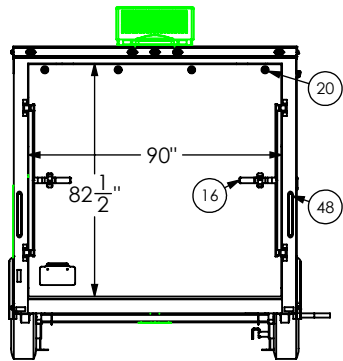
PROPRIETARY AND CONFIDENTIAL
 THE INFORMATION CONTAINED IN THIS DRAWING IS THE SOLE PROPERTY OF INTECH TRAILERS. ANY REPRODUCTION IN PART OR AS A WHOLE WITHOUT THE WRITTEN PERMISSION OF INTECH TRAILERS IS PROHIBITED.



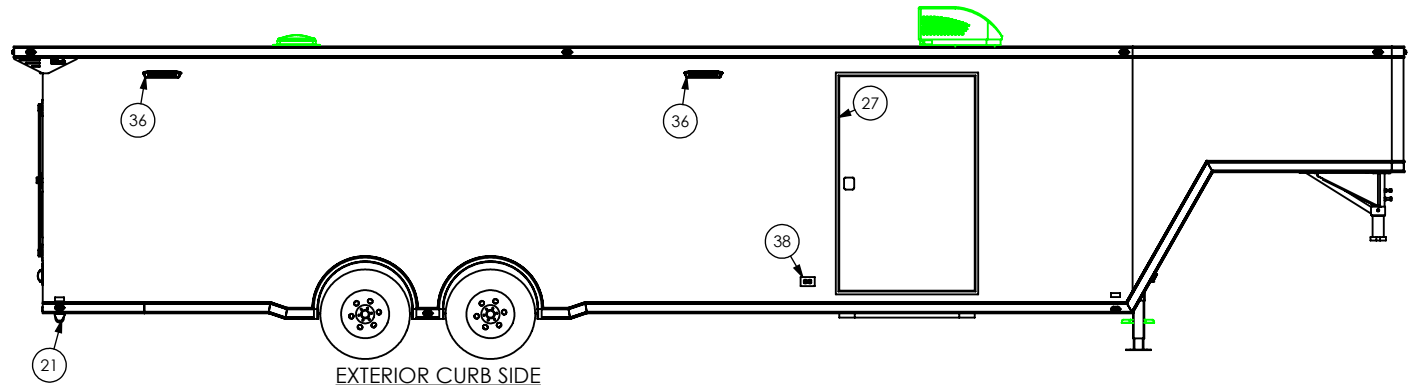
EXTERIOR FRONT



- SLOT 1 - 39 3/4"
- SLOT 2 - 37"
- SLOT 3 - 34 1/4"
- SLOT 4 - 31 1/2"



EXTERIOR REAR



EXTERIOR CURB SIDE

| | | | | |
|------------------------------------------------------------------------------------------------------------------------------------------------------------------------------------------|------|--------|---------------------------------------------------------------------------------|------|
| | NAME | DATE | inTech Trailers inTech Lite BGL8.5x40TA5 - OPTIONS EXTERIOR | |
| DRAWN | NJM | 1/9/23 | | |
| CHECKED | | | | |
| ENG APPR. | | | | |
| ALL DIMENSIONS ARE IN INCHES AND ARE NOMINAL. DIMENSIONS ON ACTUAL TRAILER MAY VARY FROM WHAT IS SHOWN ON PRINT BASED ON ACTUAL FRAMING AND TRAILER STRUCTURE. UNLESS NOTED AS CRITICAL. | | | DWG. NO. | REV. |
| | | | BGL8.5x40TA Trailer Assembly - Options | G |
| SCALE: 1:68 | | | SHEET 5 OF 5 | |

PROPRIETARY AND CONFIDENTIAL
 THE INFORMATION CONTAINED IN THIS DRAWING IS THE SOLE PROPERTY OF INTECH TRAILERS. ANY REPRODUCTION IN PART OR AS A WHOLE WITHOUT THE WRITTEN PERMISSION OF INTECH TRAILERS IS PROHIBITED.