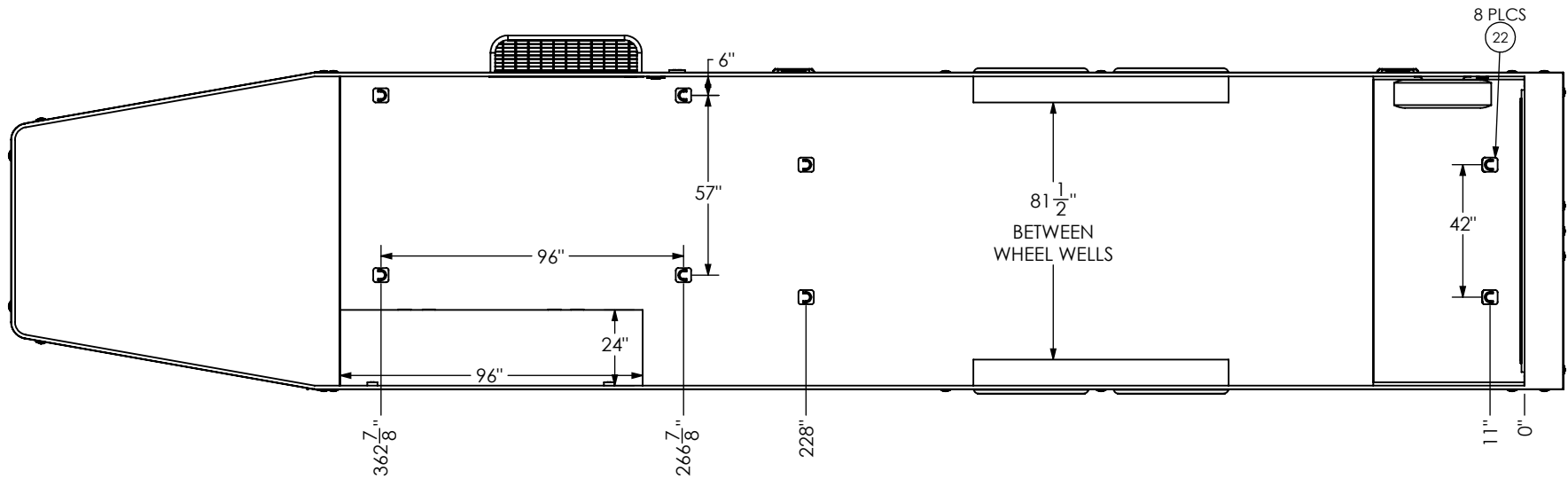
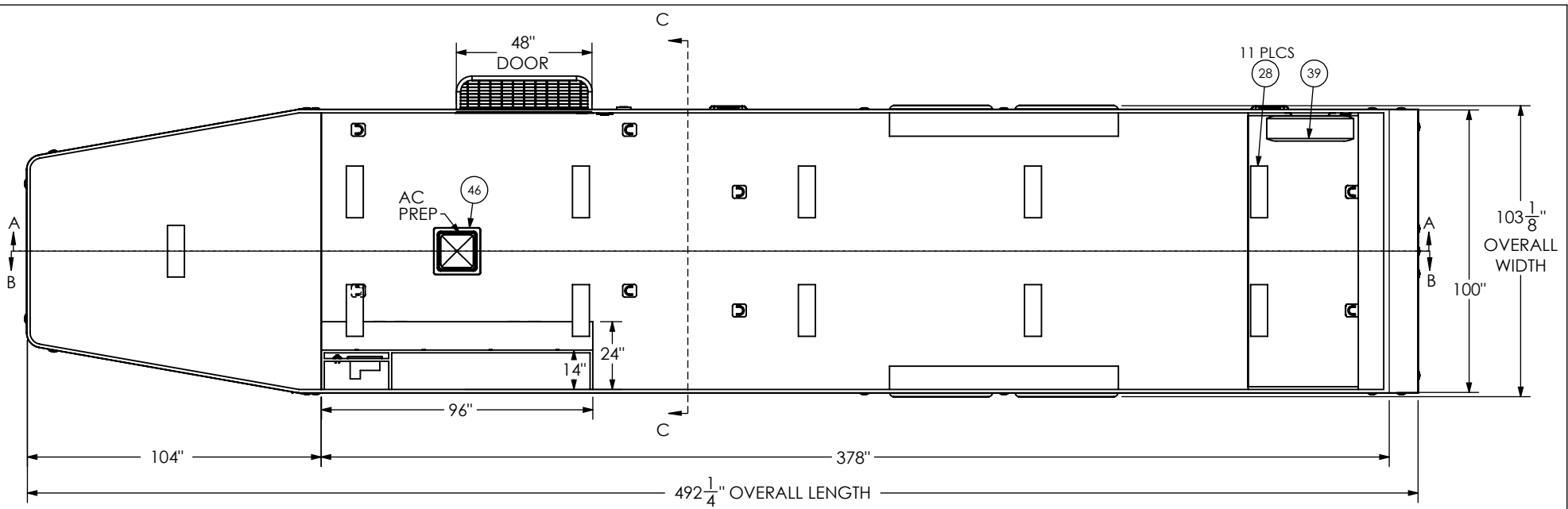


ITEM NO.	FILE NAME	DESCRIPTION	STD/ QTY.
1	Axle, Dexter	7000#, 22.5 UP, 93HF, 78AB	2
11	BGL Cabinet, Base -		1
12	BGL Cabinet, Overhead -		1
13	Battery Box		1
14	Battery Tray	Single Battery Tray	1
15	Battery Vent		1
16	Bumpers	1"	1
17	Caster Wheel		2
20	Coupler, GN	5575	1
21	Cover, Spring Assist		1
22	D-Ring	5,000	8
23	Door, Entrance	48" x 76" RHS	1
25	LICENSE PLATE BRACKET		1
26	Landing Gear GN		2
28	Light	18" 12v LED	11
29	Light, License Plate		1
30	Load Center	30 Amp L/C - 60 Amp Conv	1
31	Loading Light - LED	13.7" 12V Loading Light	3
32	Motorbase Plug	30 Amp	1
33	Outlet	120V 20 Amp	4
34	Paddle Latch		2
35	Ramp Extension	16" Transition Flap	1
38	Slide Out Step	48" Wide	1
39	Spare Tire Assembly		1
40	Switch	12v Cutoff	1
41	Switch	3 - 12V Switches	1
42	Switch	Roof Vent	1
43	Switch	1 - 12V Switch	1
44	Tail Light	Slimline	2
45	Tire	ST235/85R16	4
46	Vent, Roof -	Manual	1

SCALE: 1:65	NAME	DATE	<i>inTech Trailers</i>	
DRAWN	NjM	2/7/24	inTech Lite BGL8.5x40TA5 STANDARD BOM	
<small>ALL DIMENSIONS ARE IN INCHES AND ARE NOMINAL. DIMENSIONS ON ACTUAL TRAILER MAY VARY FROM WHAT IS SHOWN ON PRINT BASED ON ACTUAL FRAMING AND TRAILER STRUCTURE. UNLESS NOTED AS CRITICAL</small>			DWG. NO.	SHEET 1 OF 5
			BGL8.5x40TA Trailer Assembly - STD	REV. F

PROPRIETARY AND CONFIDENTIAL
 THE INFORMATION CONTAINED IN THIS DRAWING IS THE SOLE PROPERTY OF INTECH TRAILERS. ANY REPRODUCTION IN PART OR AS A WHOLE WITHOUT THE WRITTEN PERMISSION OF INTECH TRAILERS IS PROHIBITED.

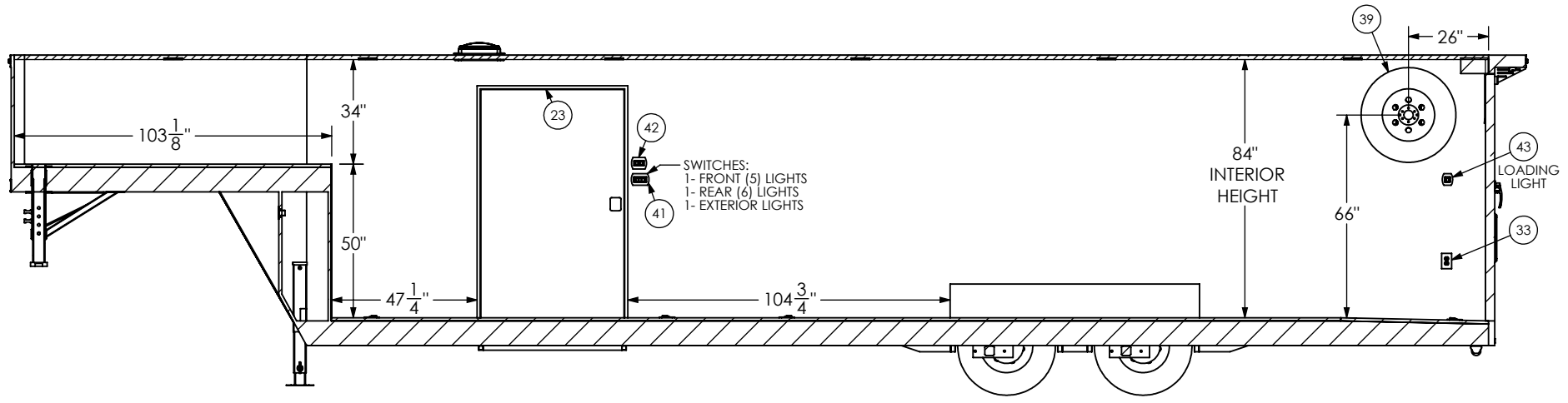


SCALE: 1:54	NAME	DATE
DRAWN	NjM	2/7/24

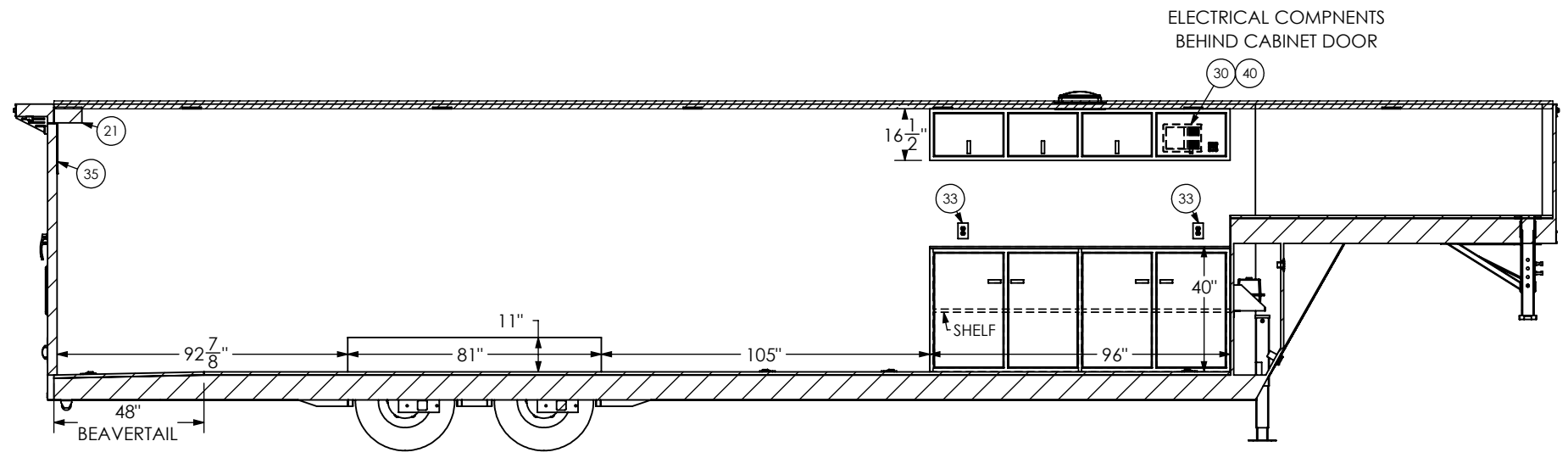
ALL DIMENSIONS ARE IN INCHES AND ARE NOMINAL. DIMENSIONS ON ACTUAL TRAILER MAY VARY FROM WHAT IS SHOWN ON PRINT BASED ON ACTUAL FRAMING AND TRAILER STRUCTURE. UNLESS NOTED AS CRITICAL

PROPRIETARY AND CONFIDENTIAL
 THE INFORMATION CONTAINED IN THIS DRAWING IS THE SOLE PROPERTY OF INTECH TRAILERS. ANY REPRODUCTION IN PART OR AS A WHOLE WITHOUT THE WRITTEN PERMISSION OF INTECH TRAILERS IS PROHIBITED.

<i>inTech Trailers</i>		
inTech Lite BGL8.5x40TA5 STANDARD FLOORPLAN		
DWG. NO. BGL8.5x40TA Trailer Assembly - STD	SHEET 2 OF 5	REV. F



INTERIOR CURB SIDE SECTION A-A



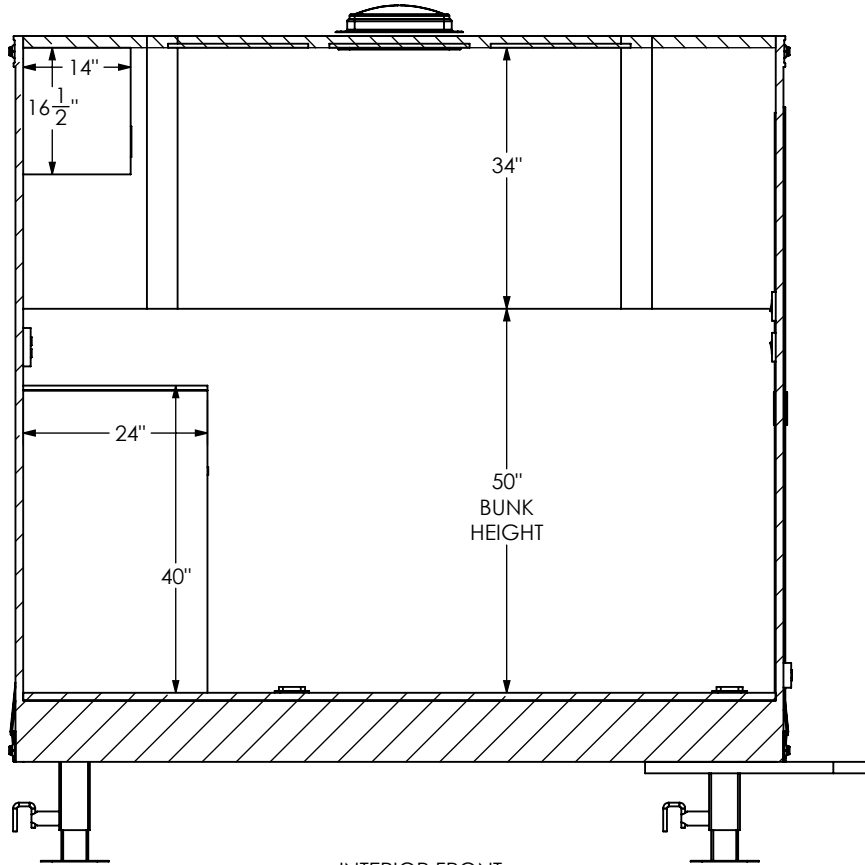
INTERIOR ROAD SIDE SECTION B-B

ELECTRICAL COMPONENTS BEHIND CABINET DOOR

PROPRIETARY AND CONFIDENTIAL
 THE INFORMATION CONTAINED IN THIS DRAWING IS THE SOLE PROPERTY OF INTECH TRAILERS. ANY REPRODUCTION IN PART OR AS A WHOLE WITHOUT THE WRITTEN PERMISSION OF INTECH TRAILERS IS PROHIBITED.

SCALE: 1:52	NAME	DATE
DRAWN	NjM	2/7/24
ALL DIMENSIONS ARE IN INCHES AND ARE NOMINAL. DIMENSIONS ON ACTUAL TRAILER MAY VARY FROM WHAT IS SHOWN ON PRINT BASED ON ACTUAL FRAMING AND TRAILER STRUCTURE. UNLESS NOTED AS CRITICAL.		

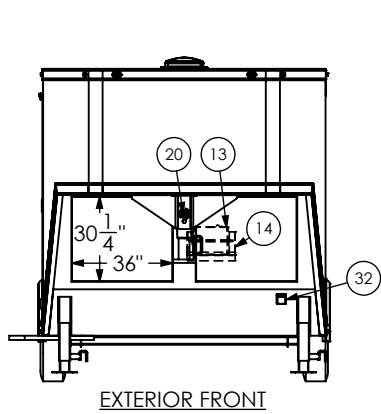
<i>inTech Trailers</i>		
inTech Lite		
BGL8.5x40TA5 STANDARD		
INTERIOR SIDES		
DWG. NO.	SHEET 3 OF 5	REV.
BGL8.5x40TA Trailer Assembly - STD	F	F



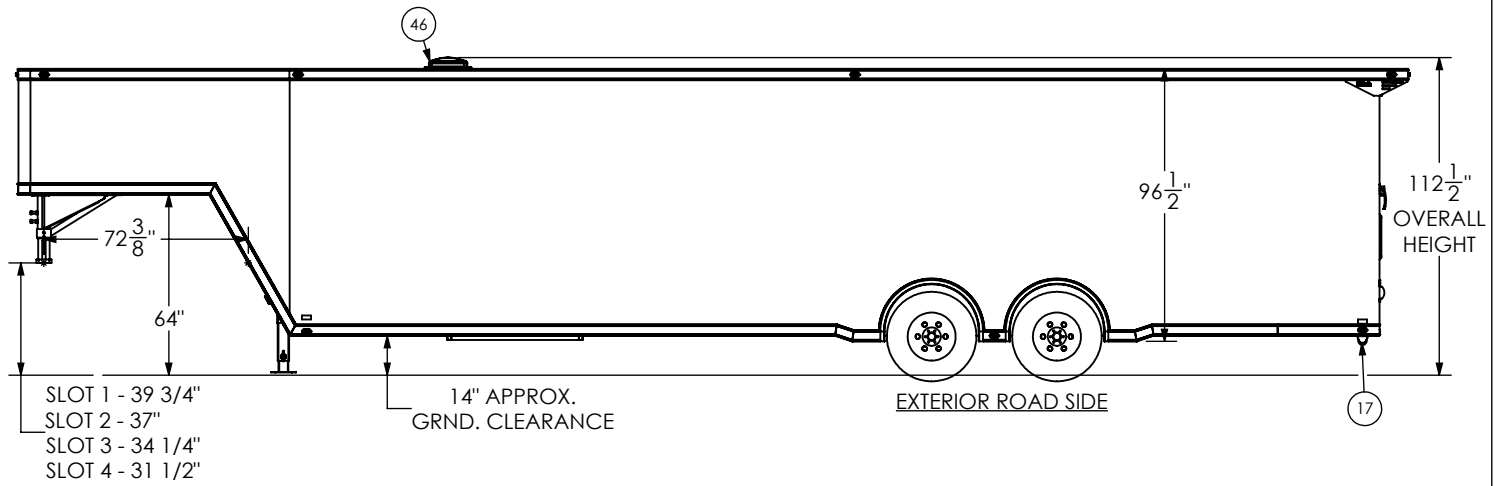
INTERIOR FRONT
SECTION C-C

PROPRIETARY AND CONFIDENTIAL
THE INFORMATION CONTAINED IN THIS DRAWING IS THE SOLE PROPERTY OF INTECH TRAILERS. ANY REPRODUCTION IN PART OR AS A WHOLE WITHOUT THE WRITTEN PERMISSION OF INTECH TRAILERS IS PROHIBITED.

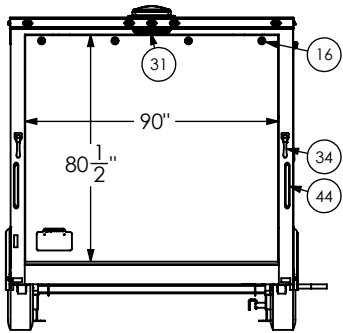
SCALE: 1:25	NAME	DATE	<i>inTech Trailers</i>	
DRAWN	NjM	2/7/24		
ALL DIMENSIONS ARE IN INCHES AND ARE NOMINAL. DIMENSIONS ON ACTUAL TRAILER MAY VARY FROM WHAT IS SHOWN ON PRINT BASED ON ACTUAL FRAMING AND TRAILER STRUCTURE. UNLESS NOTED AS CRITICAL			inTech Lite BGL8.5x40TA5 STANDARD INTERIOR FRONT	
DWG. NO.		SHEET 4 OF 5		REV.
BGL8.5x40TA Trailer Assembly - STD				F



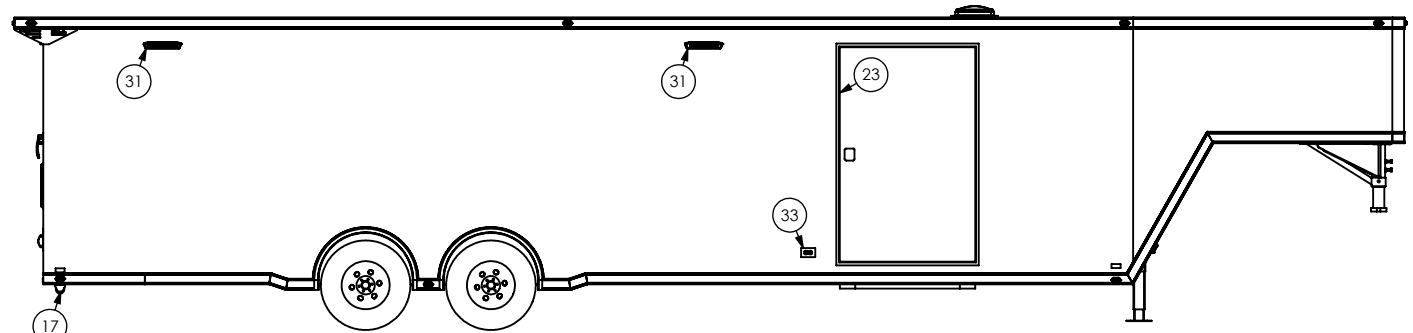
EXTERIOR FRONT



EXTERIOR ROAD SIDE



EXTERIOR REAR



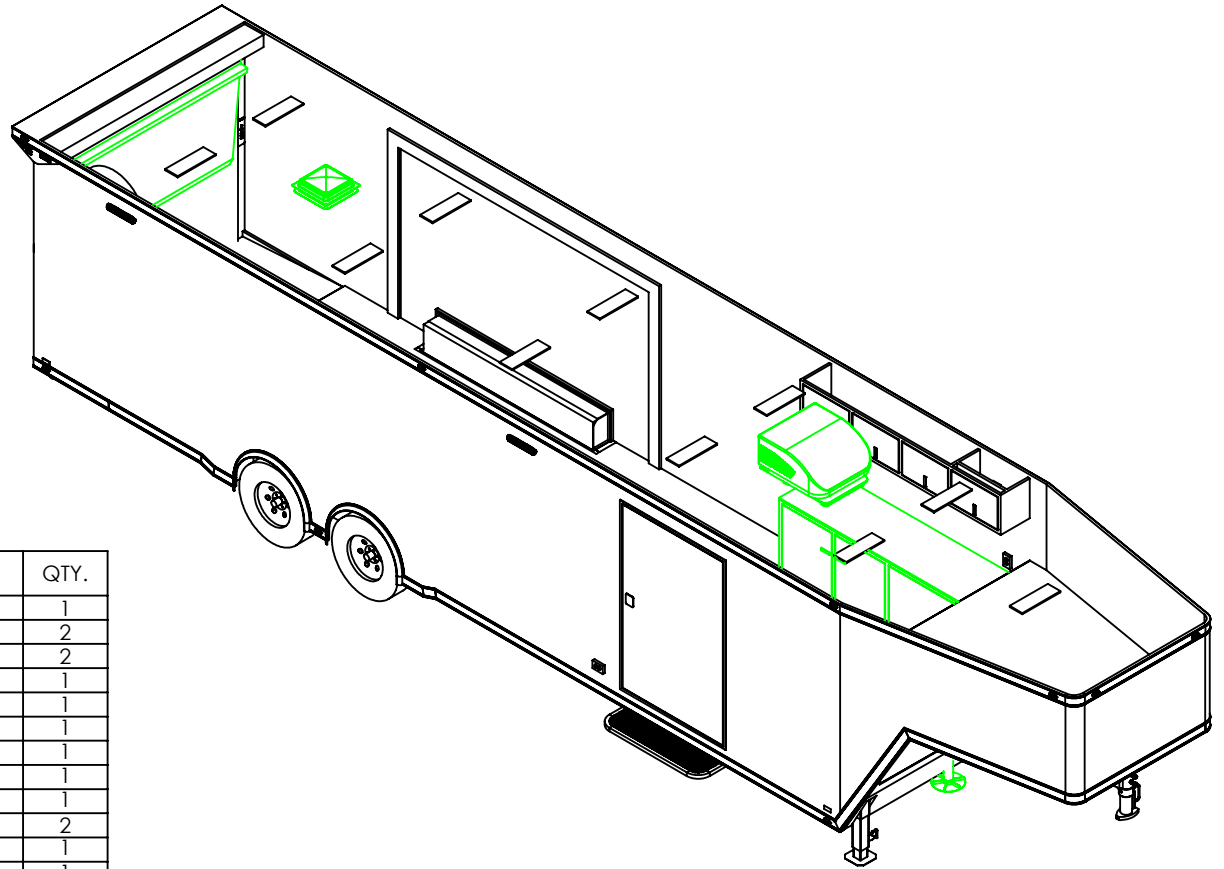
EXTERIOR CURB SIDE

SCALE: 1:68	NAME	DATE
DRAWN	NjM	2/7/24

ALL DIMENSIONS ARE IN INCHES AND ARE NOMINAL. DIMENSIONS ON ACTUAL TRAILER MAY VARY FROM WHAT IS SHOWN ON PRINT BASED ON ACTUAL FRAMING AND TRAILER STRUCTURE. UNLESS NOTED AS CRITICAL

PROPRIETARY AND CONFIDENTIAL
THE INFORMATION CONTAINED IN THIS DRAWING IS THE SOLE PROPERTY OF INTECH TRAILERS. ANY REPRODUCTION IN PART OR AS A WHOLE WITHOUT THE WRITTEN PERMISSION OF INTECH TRAILERS IS PROHIBITED.

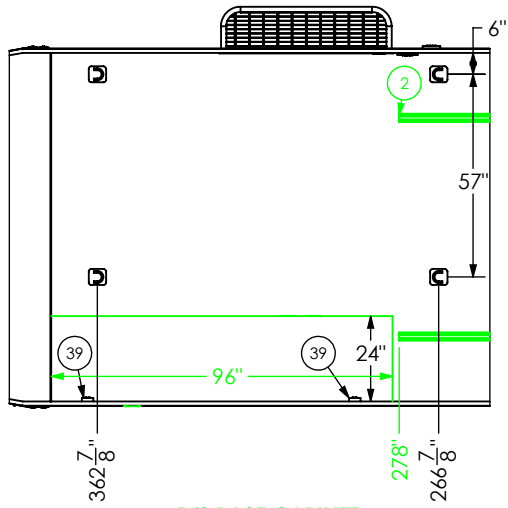
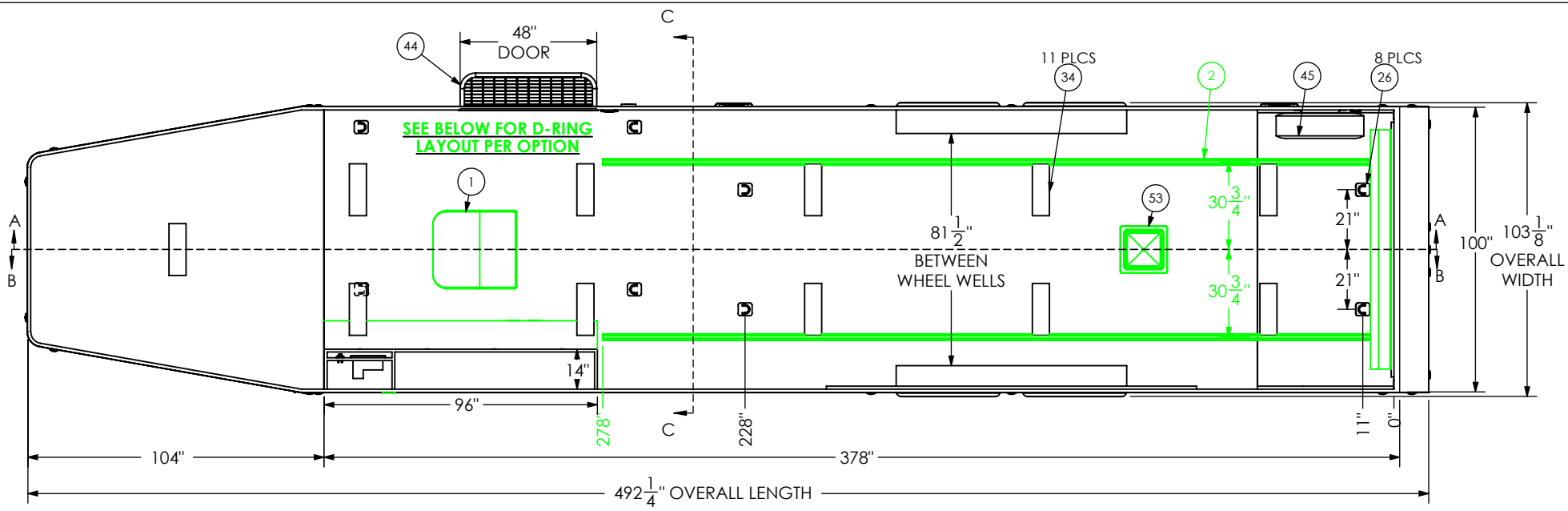
<i>inTech Trailers</i>		
inTech Lite BGL8.5x40TA5 STANDARD EXTERIOR		
DWG. NO. BGL8.5x40TA Trailer Assembly - STD	SHEET 5 OF 5	REV. F



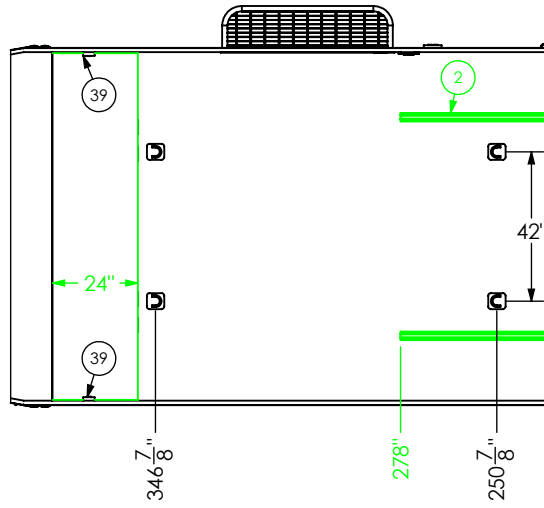
ITEM NO.	FILE NAME	DESCRIPTION	QTY.
1	Air Conditioner	13,500 BTU	1
2	Airline Track		2
3	Axle, Dexter	7000#, 22.5 UP, 93HF, 78AB	2
13	BGL Cabinet, Base -		1
14	BGL Cabinet, Overhead -		1
17	Battery Box		1
18	Battery Tray	Single Battery Tray	1
19	Battery Vent		1
20	Bumpers	3"	1
21	Caster Wheel		2
24	Coupler, GN	5575	1
25	Cover, Spring Assist		1
26	D-Ring	5,000	8
27	Door, Entrance	48" x 76" RHS	1
28	Door, Generator	36" x 36"	1
30	Hydraulic Jack - Stacker		1
31	LICENSE PLATE BRACKET		1
32	Landing Gear GN		2
33	Landing Gear GN-connecting rod		1
34	Light	18" 12v LED	11
35	Light, License Plate		1
36	Load Center	30 Amp L/C - 60 Amp Conv	1
37	Loading Light - LED	13.7" 12V Loading Light	3
38	Motorbase Plug	30 Amp	1
39	Outlet	120V 20 Amp	4
40	Paddle Latch		2
41	Ramp Extension	48" x 84"	1
44	Slide Out Step	48" Wide	1
45	Spare Tire Assembly		1
46	Switch	12v Cutoff	1
47	Switch	Jack	1
48	Switch	3 - 12V Switches	1
49	Switch	Roof Vent	1
50	Switch	1 - 12V Switch	1
51	Tail Light	Slimline	2
52	Tire	ST235/85R16	4
53	Vent, Roof -	Manual	1

SCALE: 1:65	NAME	DATE	<i>inTech Trailers</i>	
DRAWN	NjM	2/7/24	inTech Lite BGL8.5x40TA5 - OPTIONS BOM	
<small>ALL DIMENSIONS ARE IN INCHES AND ARE NOMINAL. DIMENSIONS ON ACTUAL TRAILER MAY VARY FROM WHAT IS SHOWN ON PRINT BASED ON ACTUAL FRAMING AND TRAILER STRUCTURE. UNLESS NOTED AS CRITICAL.</small>			DWG. NO.	SHEET 1 OF 5
			BGL8.5x40TA Trailer Assembly - Options	REV. H

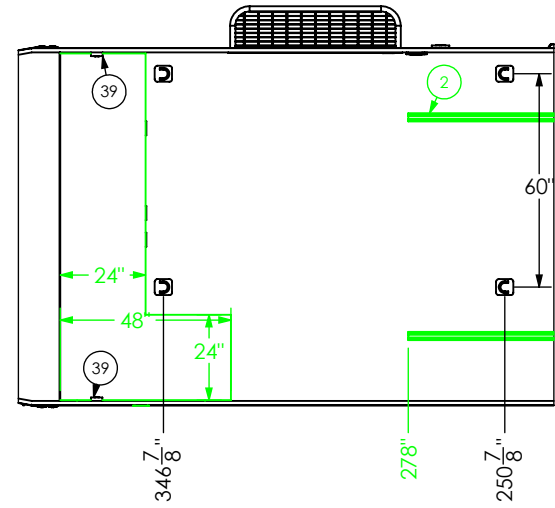
PROPRIETARY AND CONFIDENTIAL
 THE INFORMATION CONTAINED IN THIS DRAWING IS THE SOLE PROPERTY OF INTECH TRAILERS. ANY REPRODUCTION IN PART OR AS A WHOLE WITHOUT THE WRITTEN PERMISSION OF INTECH TRAILERS IS PROHIBITED.



R/S BASE CABINET
W/ GEN BOX AND DOOR



STRAIGHT BASE CABINET
AGAINST RISER WALL



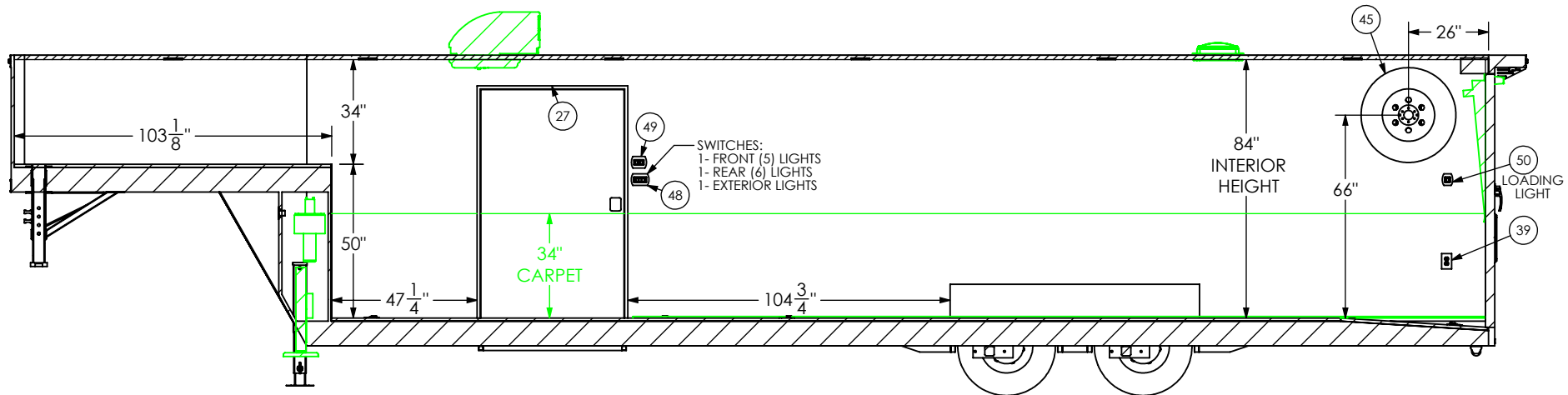
L-BASE FRONT CABINET
W/ GEN BOX AND DOOR

SCALE: 1:54	NAME	DATE
DRAWN	NjM	2/7/24

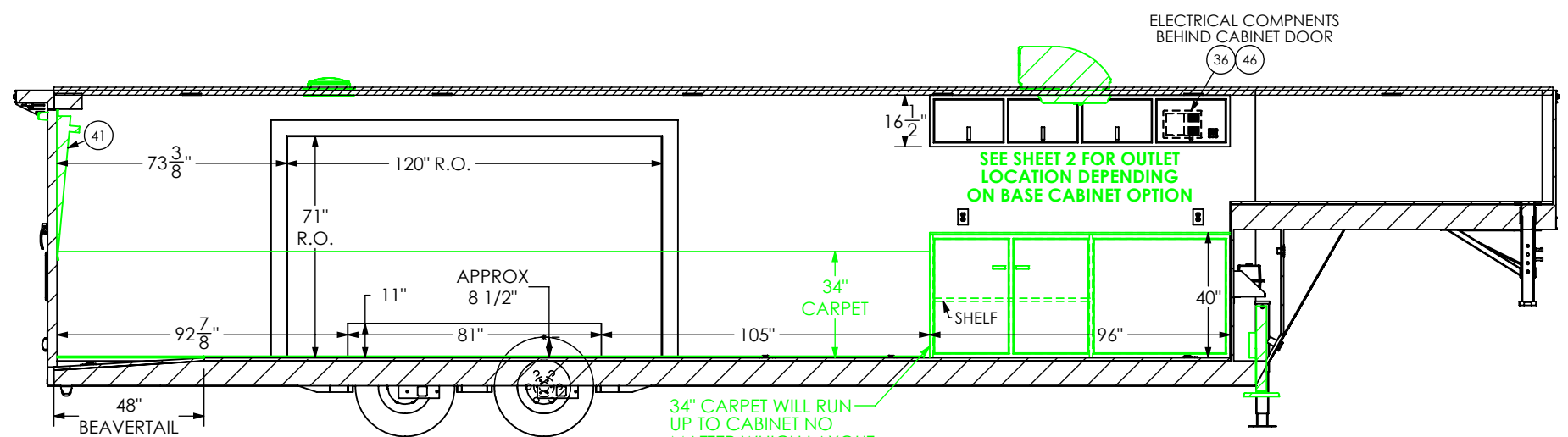
ALL DIMENSIONS ARE IN INCHES AND ARE NOMINAL. DIMENSIONS ON ACTUAL TRAILER MAY VARY FROM WHAT IS SHOWN ON PRINT BASED ON ACTUAL FRAMING AND TRAILER STRUCTURE. UNLESS NOTED AS CRITICAL.

PROPRIETARY AND CONFIDENTIAL
THE INFORMATION CONTAINED IN THIS DRAWING IS THE SOLE PROPERTY OF INTECH TRAILERS. ANY REPRODUCTION IN PART OR AS A WHOLE WITHOUT THE WRITTEN PERMISSION OF INTECH TRAILERS IS PROHIBITED.

<i>inTech Trailers</i>		
inTech Lite		
BGL8.5x40TA5 - OPTIONS		
FLOORPLAN		
DWG. NO. BGL8.5x40TA Trailer Assembly - Options	SHEET 2 OF 5	REV. H



INTERIOR CURB SIDE SECTION A-A



INTERIOR ROAD SIDE SECTION B-B

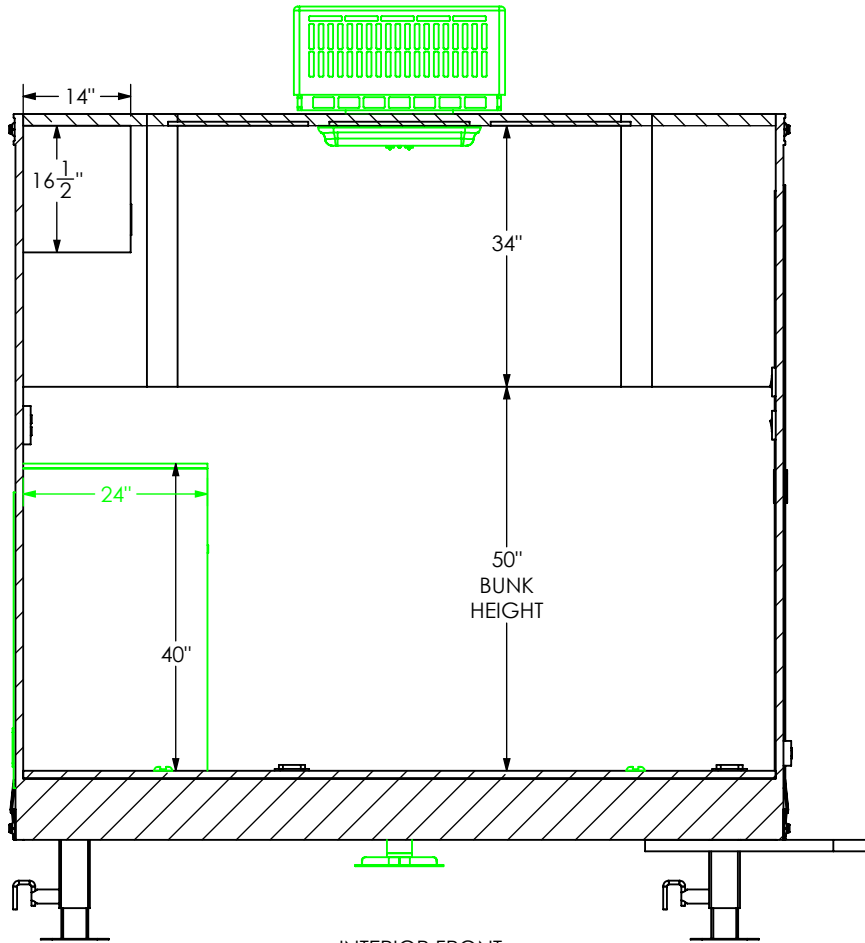
34" CARPET WILL RUN UP TO CABINET NO MATTER WHICH LAYOUT IS OPTIONED

SCALE: 1:52	NAME	DATE
DRAWN	NjM	2/7/24

ALL DIMENSIONS ARE IN INCHES AND ARE NOMINAL. DIMENSIONS ON ACTUAL TRAILER MAY VARY FROM WHAT IS SHOWN ON PRINT BASED ON ACTUAL FRAMING AND TRAILER STRUCTURE. UNLESS NOTED AS CRITICAL

PROPRIETARY AND CONFIDENTIAL
THE INFORMATION CONTAINED IN THIS DRAWING IS THE SOLE PROPERTY OF INTECH TRAILERS. ANY REPRODUCTION IN PART OR AS A WHOLE WITHOUT THE WRITTEN PERMISSION OF INTECH TRAILERS IS PROHIBITED.

<i>inTech Trailers</i>		
inTech Lite		
BGL8.5x40TA5 - OPTIONS		
INTERIOR SIDES		
DWG. NO.	SHEET 3 OF 5	REV.
BGL8.5x40TA Trailer Assembly - Options		H



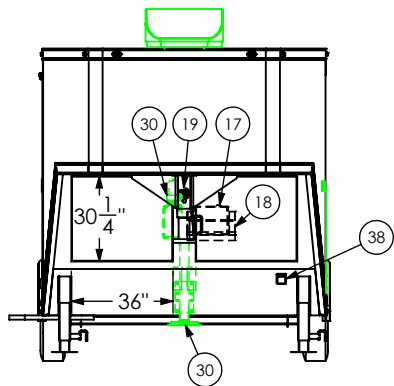
INTERIOR FRONT
SECTION C-C

PROPRIETARY AND CONFIDENTIAL
THE INFORMATION CONTAINED IN THIS DRAWING IS THE SOLE PROPERTY OF INTECH TRAILERS. ANY REPRODUCTION IN PART OR AS A WHOLE WITHOUT THE WRITTEN PERMISSION OF INTECH TRAILERS IS PROHIBITED.

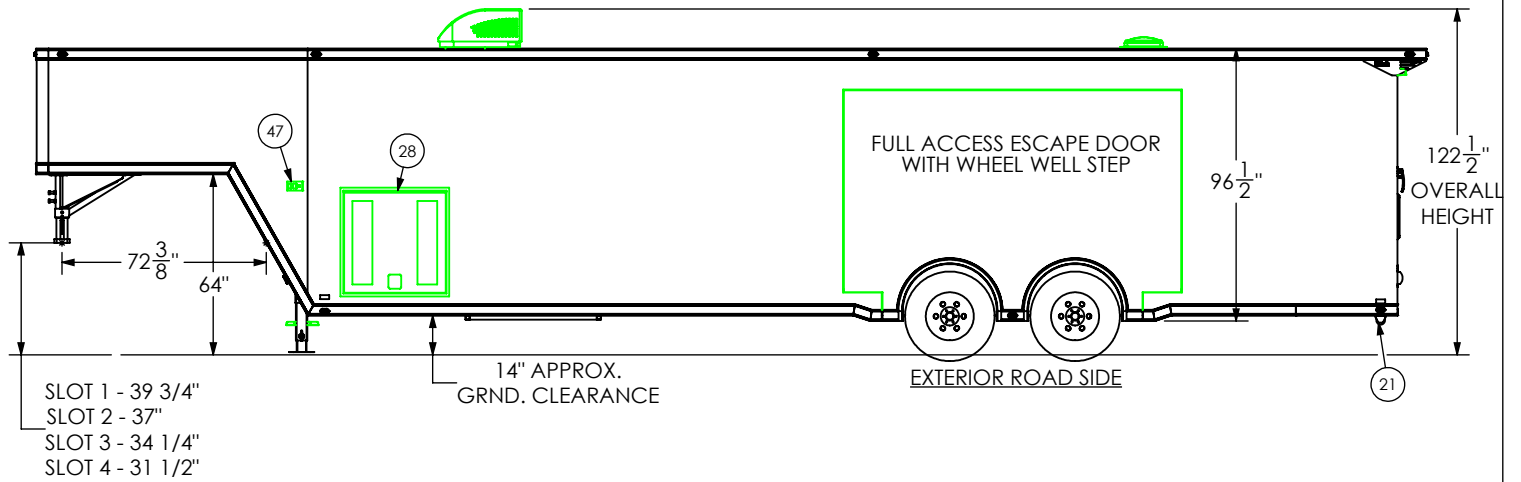
SCALE: 1:25	NAME	DATE
DRAWN	NjM	2/7/24

ALL DIMENSIONS ARE IN INCHES AND ARE NOMINAL. DIMENSIONS ON ACTUAL TRAILER MAY VARY FROM WHAT IS SHOWN ON PRINT BASED ON ACTUAL FRAMING AND TRAILER STRUCTURE. UNLESS NOTED AS CRITICAL

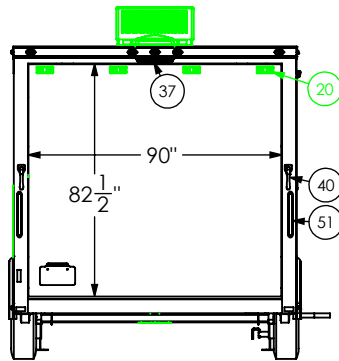
<i>inTech Trailers</i>		
inTech Lite BGL8.5x40TA5 - OPTIONS INTERIOR FRONT		
DWG. NO.	SHEET 4 OF 5	REV.
BGL8.5x40TA Trailer Assembly - Options		H



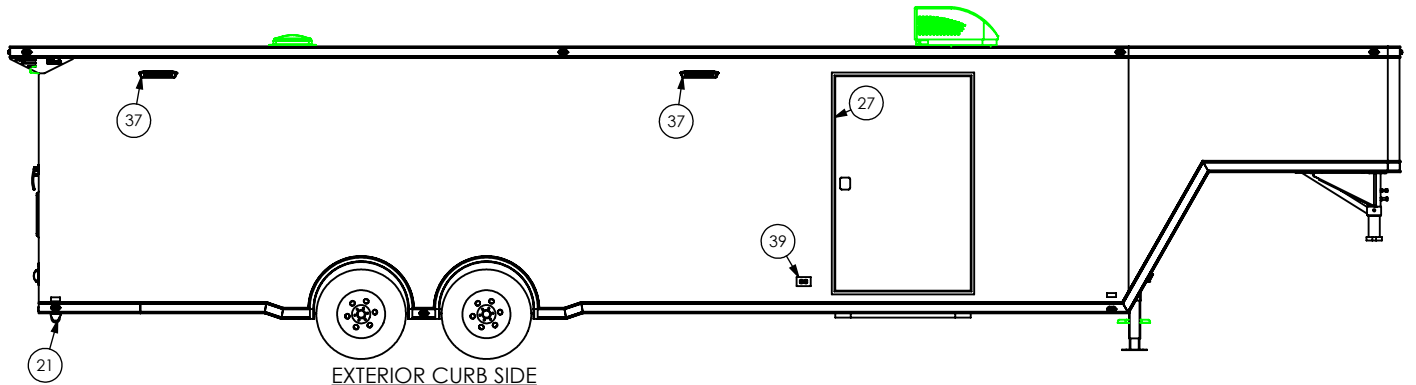
EXTERIOR FRONT



- SLOT 1 - 39 3/4"
- SLOT 2 - 37"
- SLOT 3 - 34 1/4"
- SLOT 4 - 31 1/2"



EXTERIOR REAR



EXTERIOR CURB SIDE

SCALE: 1:68	NAME	DATE
DRAWN	NjM	2/7/24

<i>inTech Trailers</i>		
inTech Lite		
BGL8.5x40TA5 - OPTIONS		
EXTERIOR		
DWG. NO.	SHEET 5 OF 5	REV.
BGL8.5x40TA Trailer Assembly - Options		H

PROPRIETARY AND CONFIDENTIAL
 THE INFORMATION CONTAINED IN THIS DRAWING IS THE SOLE PROPERTY OF INTECH TRAILERS. ANY REPRODUCTION IN PART OR AS A WHOLE WITHOUT THE WRITTEN PERMISSION OF INTECH TRAILERS IS PROHIBITED.

ALL DIMENSIONS ARE IN INCHES AND ARE NOMINAL. DIMENSIONS ON ACTUAL TRAILER MAY VARY FROM WHAT IS SHOWN ON PRINT BASED ON ACTUAL FRAMING AND TRAILER STRUCTURE. UNLESS NOTED AS CRITICAL