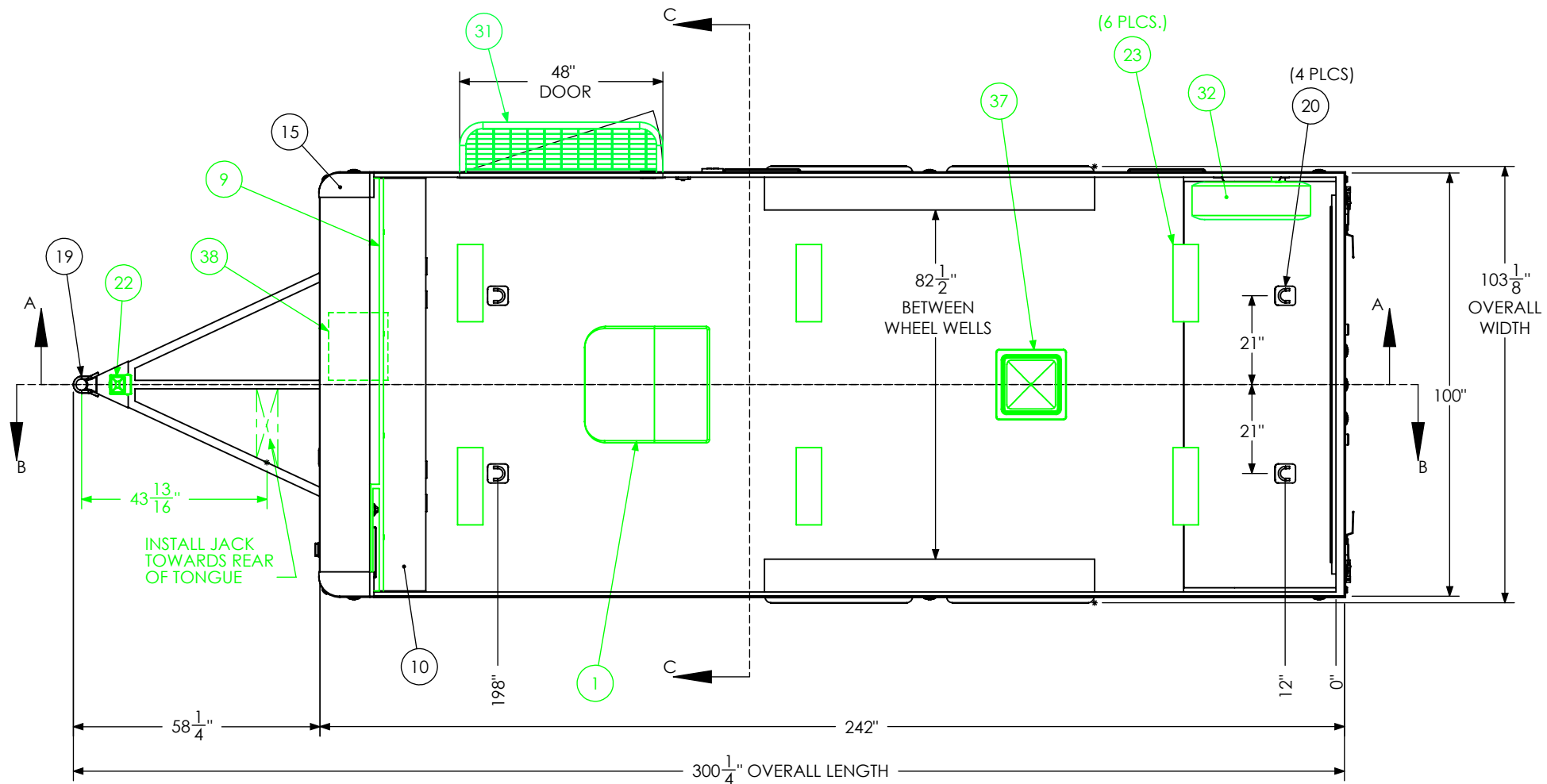


ITEM NO.	DESCRIPTION	NOTES	Options/QTY.
1	Air Conditioner	13,500 BTU	1
2	Axle, Dexter	3500#, 0, 94HF, 78AB	2
9	BTL Overhead Cabinet TH		1
10	BTL Straight Base Cabinet		1
11	Bar Lock -		2
12	Battery Box		1
13	Battery Vent		1
14	Bumpers	1"	1
15	Cast Corners		1
16	Caster Wheel		2
19	Coupler	2 5/16" Ball, 14,000#	1
20	D-Ring		4
21	Door, Entrance	48" x 78" RHS	1
22	Jack - Power		1
24	Load Center	30 Amp L/C - 45 Amp Conv	1
25	Loading Light - LED	18" 12V Loading Light	2
26	Motorbase Plug	30 Amp	1
27	Outlet	120V 20 Amp	4
28	Ramp Extension	16" Transition Flap	1
31	Slide Out Step	48" Wide	1
32	Spare Tire Assembly		1
33	Switch	12v Cutoff	1
34	Switch	1 - 12V Switch	1
36	Tire	ST205/75R15	4
37	Vent, Roof		1
38	Winch Plate		1

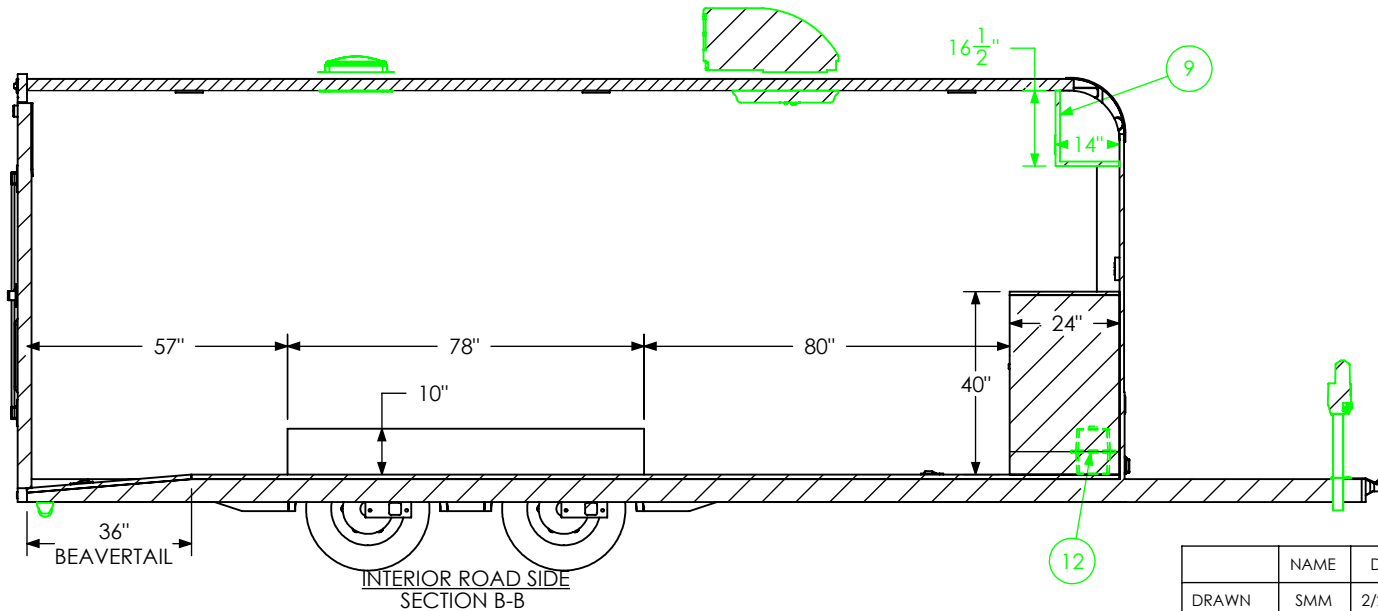
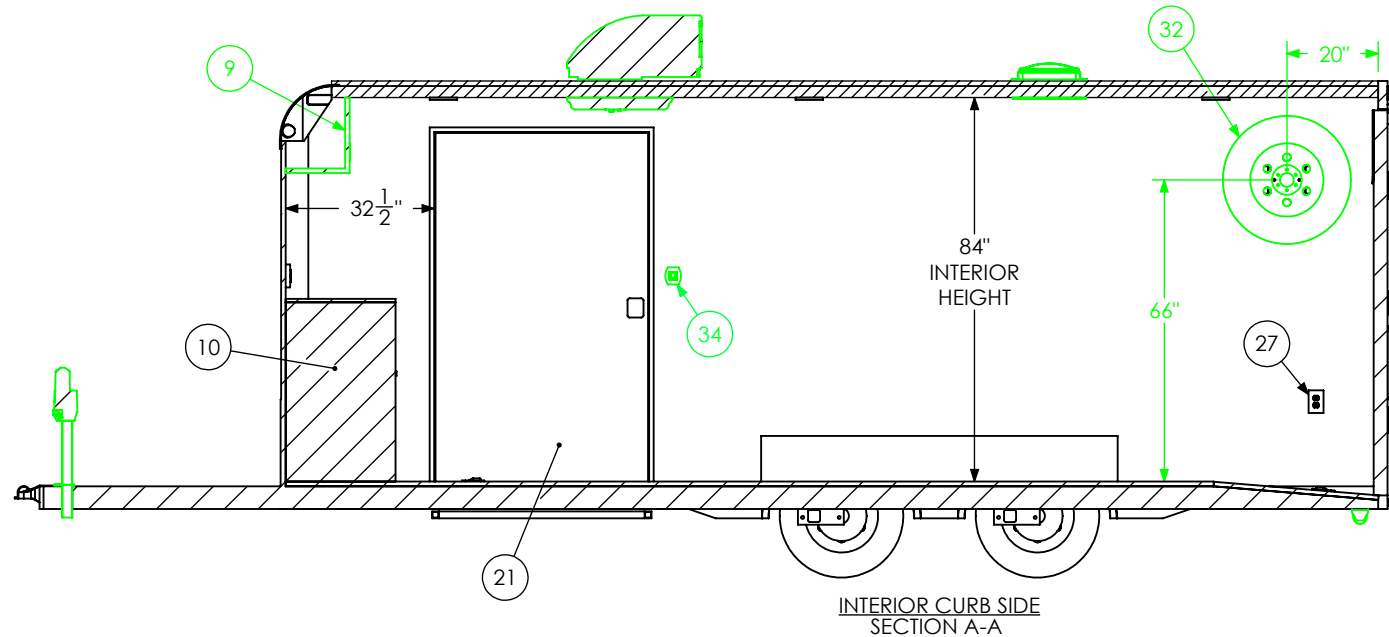
	NAME	DATE	<i>inTech Trailers</i>	
DRAWN	SMM	2/25/19	INTECH BTL8.5x20TA2 - OPTIONS BOM	
CHECKED				
ENG APPR.				
<small>ALL DIMENSIONS ARE IN INCHES AND ARE NOMINAL. DIMENSIONS ON ACTUAL TRAILER MAY VARY FROM WHAT IS SHOWN ON PRINT BASED ON ACTUAL FRAMING AND TRAILER STRUCTURE. UNLESS NOTED AS CRITICAL.</small>			DWG. NO.	REV.
			BTL8.5x20TA2 Trailer Assembly - Options	D
			SCALE: 1:48	SHEET 1 OF 5

PROPRIETARY AND CONFIDENTIAL
 THE INFORMATION CONTAINED IN THIS DRAWING IS THE SOLE PROPERTY OF INTECH TRAILERS. ANY REPRODUCTION IN PART OR AS A WHOLE WITHOUT THE WRITTEN PERMISSION OF INTECH TRAILERS IS PROHIBITED.



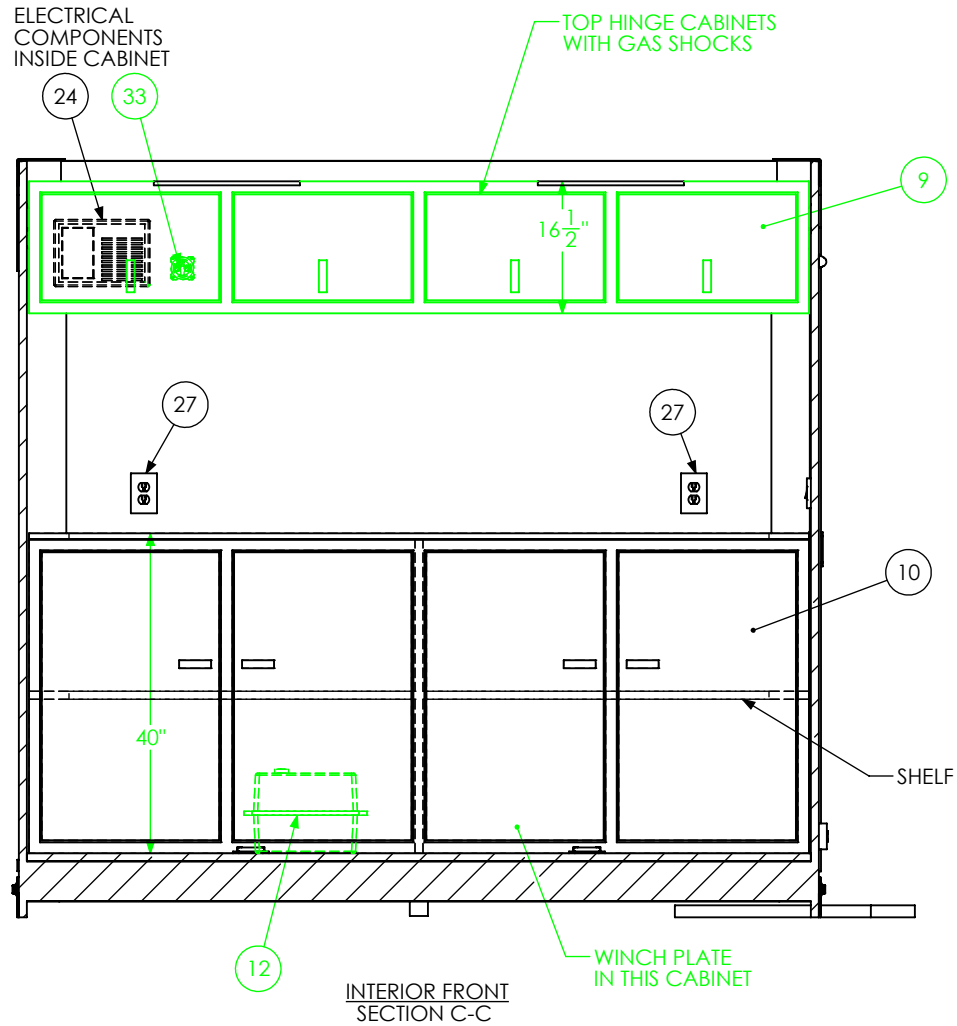
	NAME	DATE	inTech Trailers INTECH BTL8.5x20TA2 - OPTIONS FLOORPLAN	
DRAWN	SMM	2/25/19		
CHECKED				
ENG APPR.				
ALL DIMENSIONS ARE IN INCHES AND ARE NOMINAL. DIMENSIONS ON ACTUAL TRAILER MAY VARY FROM WHAT IS SHOWN ON PRINT BASED ON ACTUAL FRAMING AND TRAILER STRUCTURE. UNLESS NOTED AS CRITICAL.			DWG. NO. BTL8.5x20TA2 Trailer Assembly - Options	REV. D
			SCALE: 1:36	SHEET 2 OF 5

PROPRIETARY AND CONFIDENTIAL
 THE INFORMATION CONTAINED IN THIS DRAWING IS THE SOLE PROPERTY OF INTECH TRAILERS. ANY REPRODUCTION IN PART OR AS A WHOLE WITHOUT THE WRITTEN PERMISSION OF INTECH TRAILERS IS PROHIBITED.



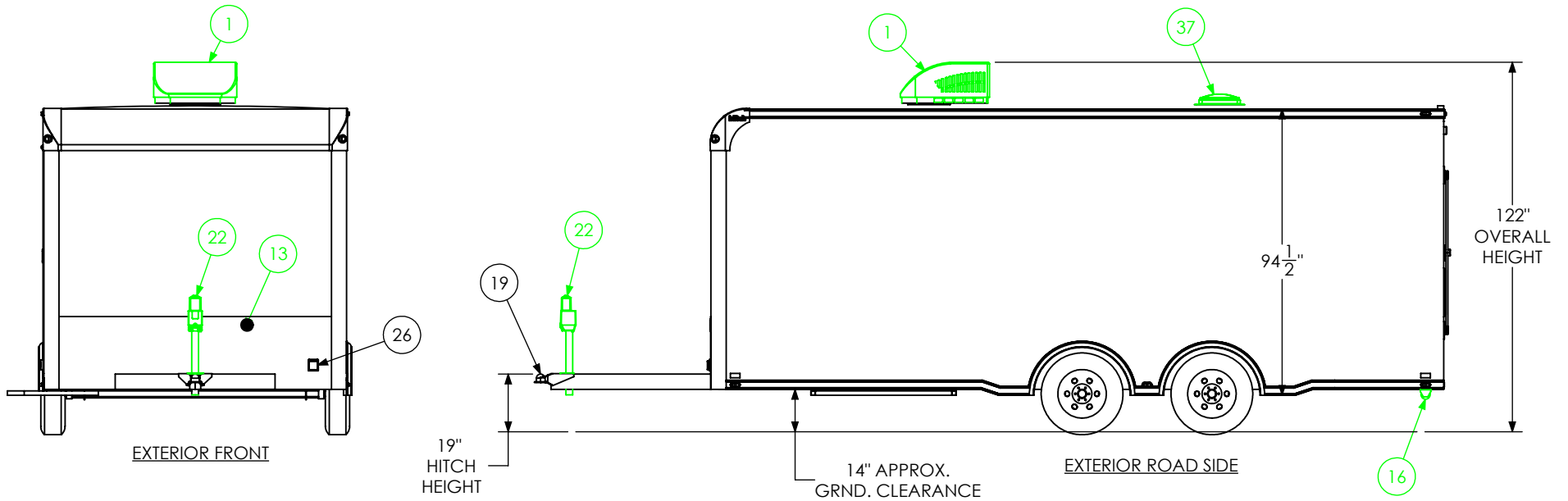
	NAME	DATE	inTech Trailers	
DRAWN	SMM	2/25/19		
CHECKED				
ENG APPR.				
ALL DIMENSIONS ARE IN INCHES AND ARE NOMINAL. DIMENSIONS ON ACTUAL TRAILER MAY VARY FROM WHAT IS SHOWN ON PRINT BASED ON ACTUAL FRAMING AND TRAILER STRUCTURE. UNLESS NOTED AS CRITICAL.			DWG. NO. BTL8.5x20TA2 Trailer Assembly - Options	REV. D
			SCALE: 1:42	SHEET 3 OF 5

PROPRIETARY AND CONFIDENTIAL
THE INFORMATION CONTAINED IN THIS DRAWING IS THE SOLE PROPERTY OF INTECH TRAILERS. ANY REPRODUCTION IN PART OR AS A WHOLE WITHOUT THE WRITTEN PERMISSION OF INTECH TRAILERS IS PROHIBITED.



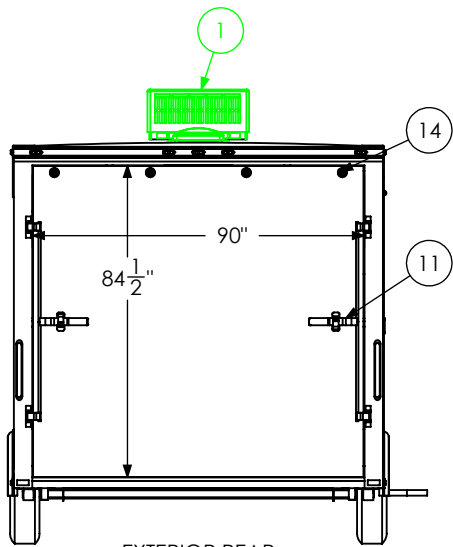
	NAME	DATE	<i>inTech Trailers</i> INTECH BTL8.5x20TA2 - OPTIONS INTERIOR FRONT	
DRAWN	SMM	2/25/19		
CHECKED				
ENG APPR.				
ALL DIMENSIONS ARE IN INCHES AND ARE NOMINAL. DIMENSIONS ON ACTUAL TRAILER MAY VARY FROM WHAT IS SHOWN ON PRINT BASED ON ACTUAL FRAMING AND TRAILER STRUCTURE. UNLESS NOTED AS CRITICAL.			DWG. NO.	REV.
			BTL8.5x20TA2 Trailer Assembly - Options	D
SCALE: 1:24			SHEET 4 OF 5	

PROPRIETARY AND CONFIDENTIAL
 THE INFORMATION CONTAINED IN THIS DRAWING IS THE SOLE PROPERTY OF INTECH TRAILERS. ANY REPRODUCTION IN PART OR AS A WHOLE WITHOUT THE WRITTEN PERMISSION OF INTECH TRAILERS IS PROHIBITED.

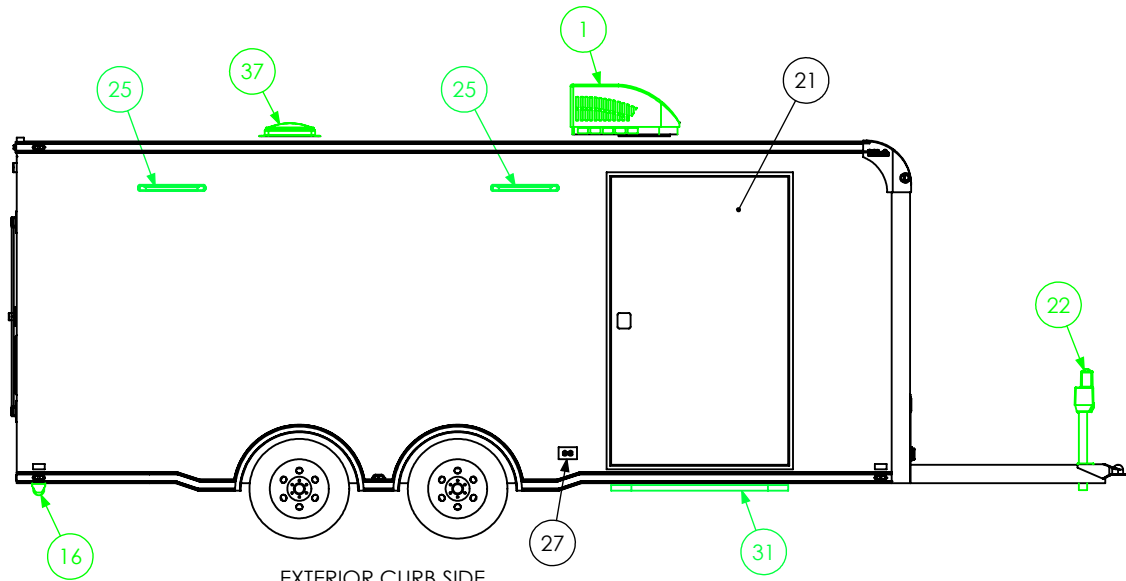


EXTERIOR FRONT

EXTERIOR ROAD SIDE



EXTERIOR REAR



EXTERIOR CURB SIDE

	NAME	DATE	inTech Trailers INTECH BTL8.5x20TA2 - OPTIONS EXTERIOR	
DRAWN	SMM	2/25/19		
CHECKED				
ENG APPR.				
ALL DIMENSIONS ARE IN INCHES AND ARE NOMINAL. DIMENSIONS ON ACTUAL TRAILER MAY VARY FROM WHAT IS SHOWN ON PRINT BASED ON ACTUAL FRAMING AND TRAILER STRUCTURE. UNLESS NOTED AS CRITICAL.			DWG. NO. BTL8.5x20TA2 Trailer Assembly - Options	REV. D
			SCALE: 1:52	SHEET 5 OF 5

PROPRIETARY AND CONFIDENTIAL
THE INFORMATION CONTAINED IN THIS DRAWING IS THE SOLE PROPERTY OF INTECH TRAILERS. ANY REPRODUCTION IN PART OR AS A WHOLE WITHOUT THE WRITTEN PERMISSION OF INTECH TRAILERS IS PROHIBITED.