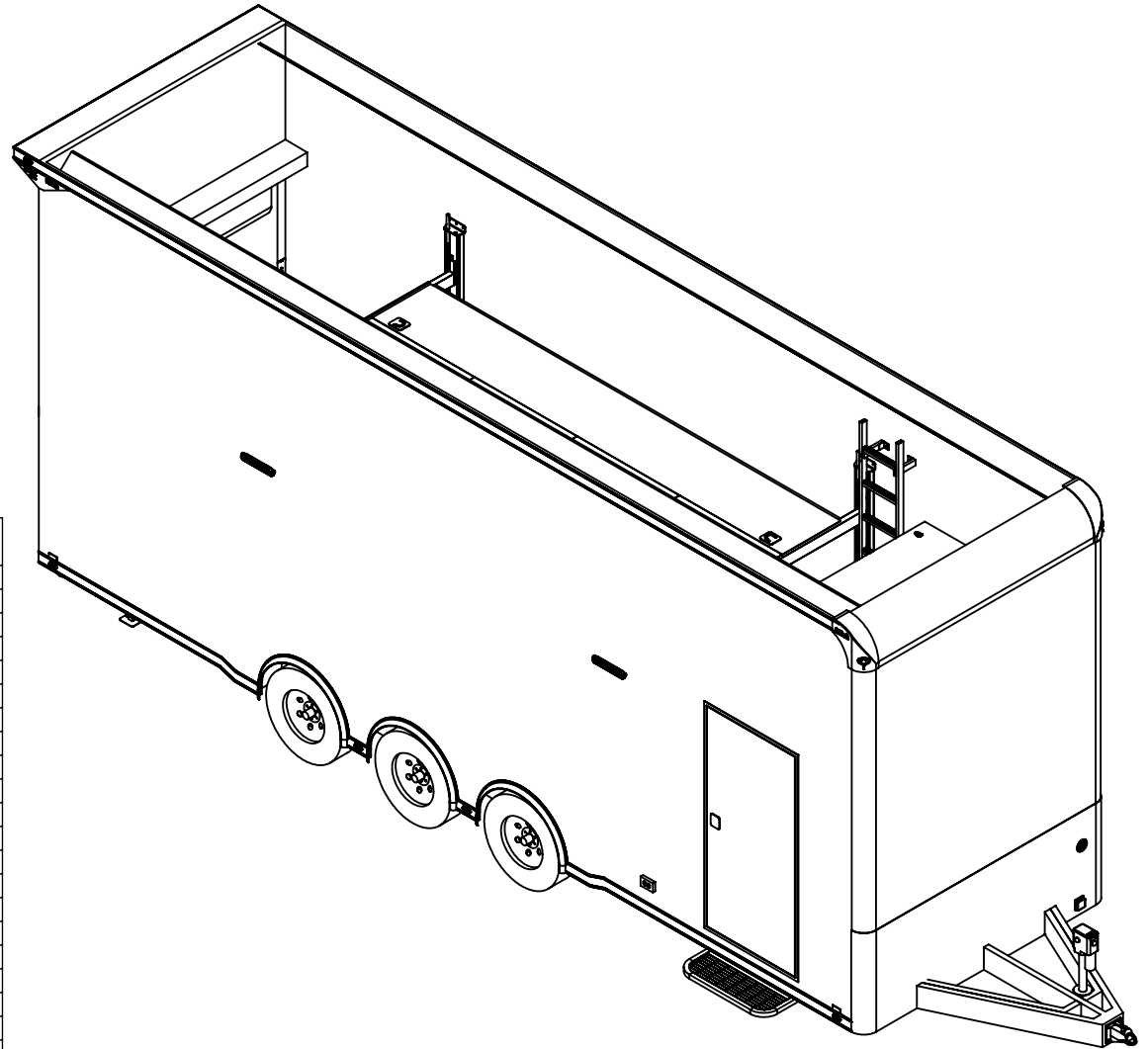
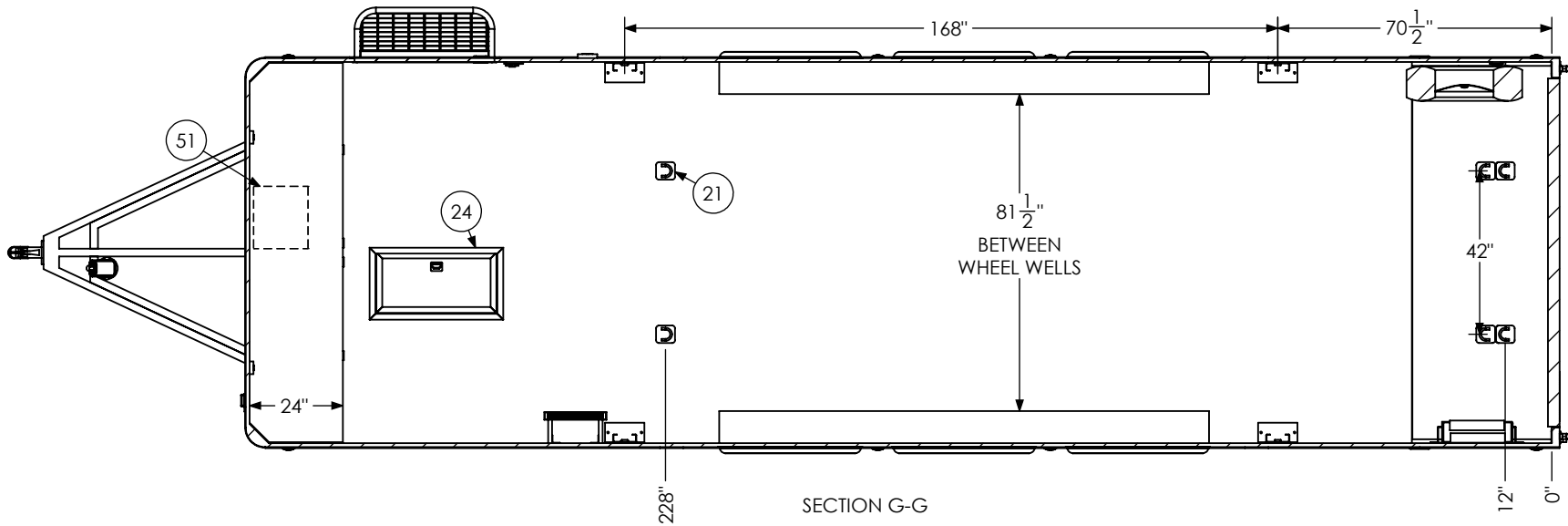
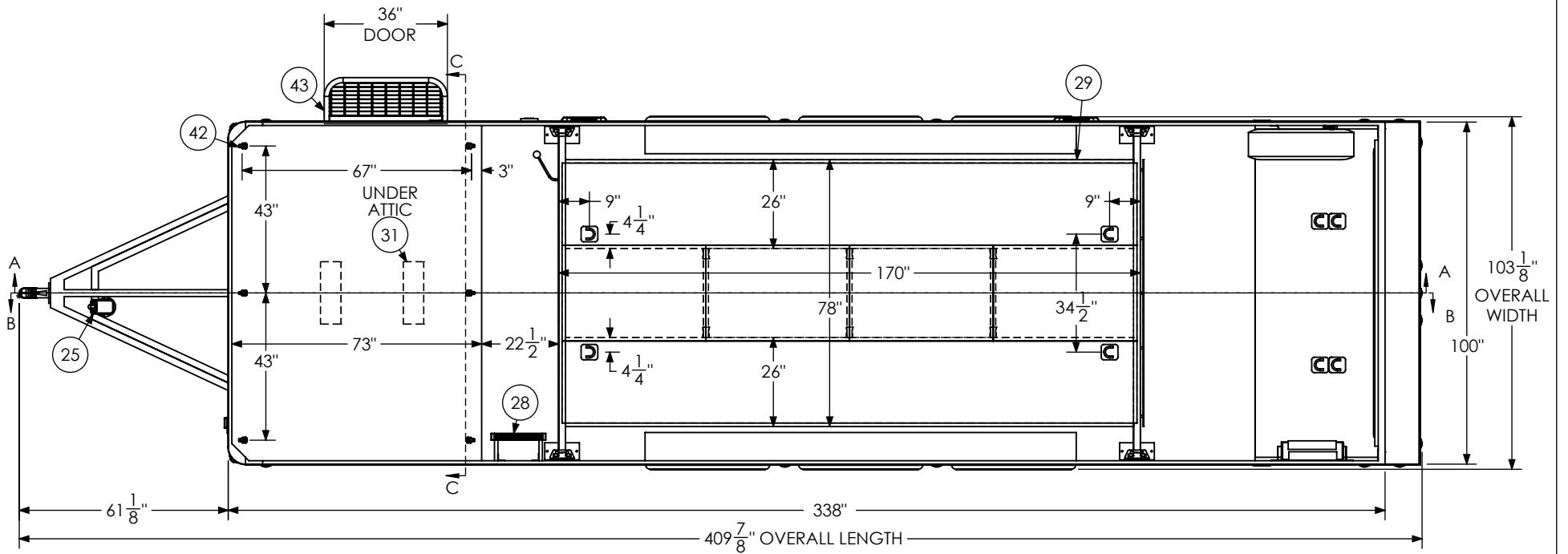


ITEM NO.	FILE NAME	DESCRIPTION	QTY.
1	Attic - BSL		1
2	Axle, Dexter	6000#, 22.5 UP, 93HF, 78AB T	3
9	BSL Cabinet, Overhead		1
10	BSL Cabinet, Straight Base		1
11	Battery Box		1
12	Battery Vent		1
13	Bumpers	1"	1
14	Cast Corners		1
15	Caster Wheel		2
18	Coupler - Flat Nose	25K - Bulldog	1
20	Cover, Spring Assist		1
21	D-Ring	5,000	10
22	Door, Entrance	36" x 78"	1
24	In-Floor Compartment - Lite	Hydraulics Box (14"x30")	1
25	Jack, Power	4500#	1
26	Jack, Stabilizer		2
27	LICENSE PLATE BRACKET		1
28	Ladder - BSL	16" x 106"	1
29	Lift Assembly SS -BSL	14'	1
30	Lift Ramp Storage Assembly		1
31	Light	18" 12v LED	8
32	Light, License Plate		1
33	Load Center	30 Amp L/C - 60 Amp Conv	1
34	Loading Light - LED	13.7" 12V Loading Light	3
35	Motorbase Plug	30 Amp	1
36	Outlet	120V 20 Amp	4
37	Outlet	Lift Control Plug	1
38	Paddle Latch		2
39	Ramp Extension	16" Transition Flap	1
42	Rope Ring		6
43	Slide Out Step	36" Wide	1
44	Spare Tire Assembly		1
45	Switch	12v Cutoff	1
46	Switch	2 - 12V Switches	2
47	Switch	1 - 12V Switch	1
48	Tail Light	Slimline	4
49	Tire	ST235/80R16	6
51	Winch Plate		1



SCALE: 1:55	NAME	DATE	<i>inTech Trailers</i>	
DRAWN	NjM	2/7/24	inTech - Lite Stacker BSL8.5x28TTA4 - STANDARD BOM	
ALL DIMENSIONS ARE IN INCHES AND ARE NOMINAL. DIMENSIONS ON ACTUAL TRAILER MAY VARY FROM WHAT IS SHOWN ON PRINT BASED ON ACTUAL FRAMING AND TRAILER STRUCTURE. UNLESS NOTED AS CRITICAL.			DWG. NO.	SHEET 1 OF 5
			BSL8.5x28TTA Trailer Assembly - Standard	REV. C

PROPRIETARY AND CONFIDENTIAL
 THE INFORMATION CONTAINED IN THIS DRAWING IS THE SOLE PROPERTY OF INTECH TRAILERS. ANY REPRODUCTION IN PART OR AS A WHOLE WITHOUT THE WRITTEN PERMISSION OF INTECH TRAILERS IS PROHIBITED.



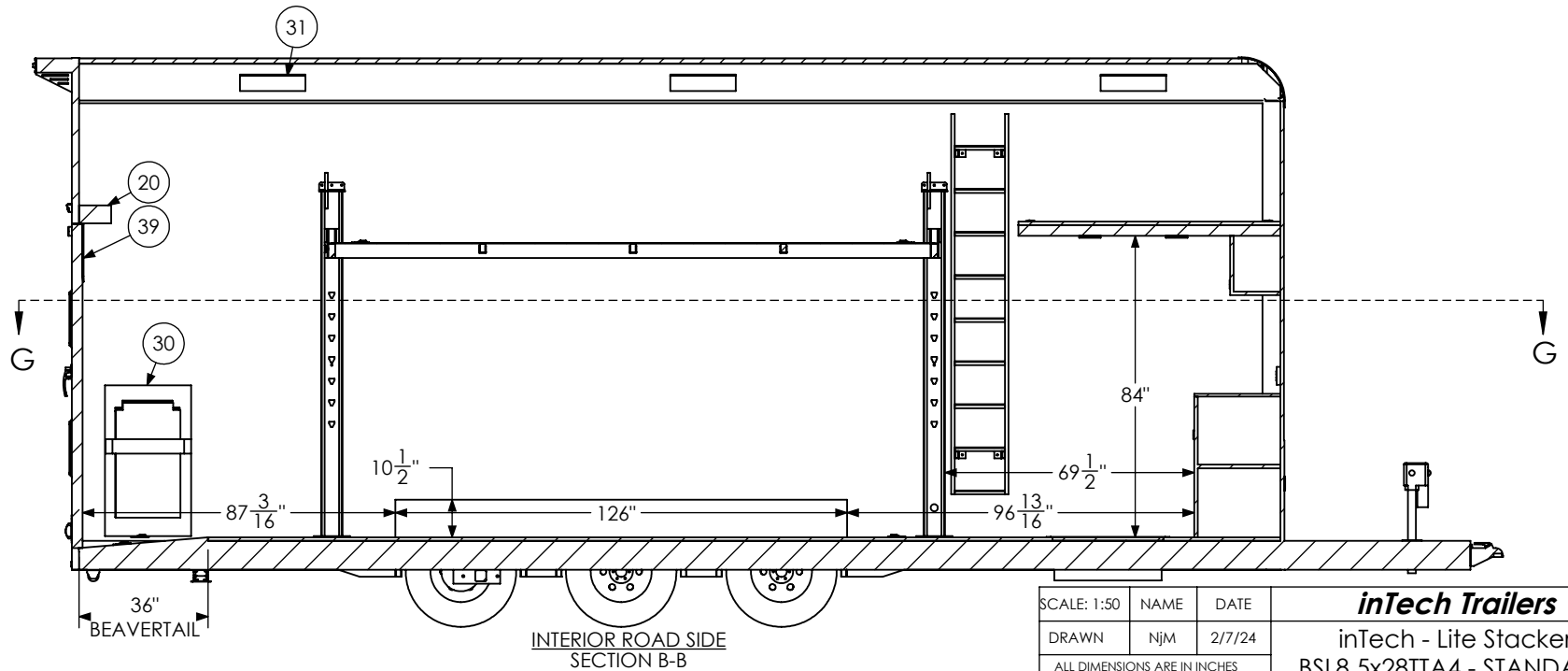
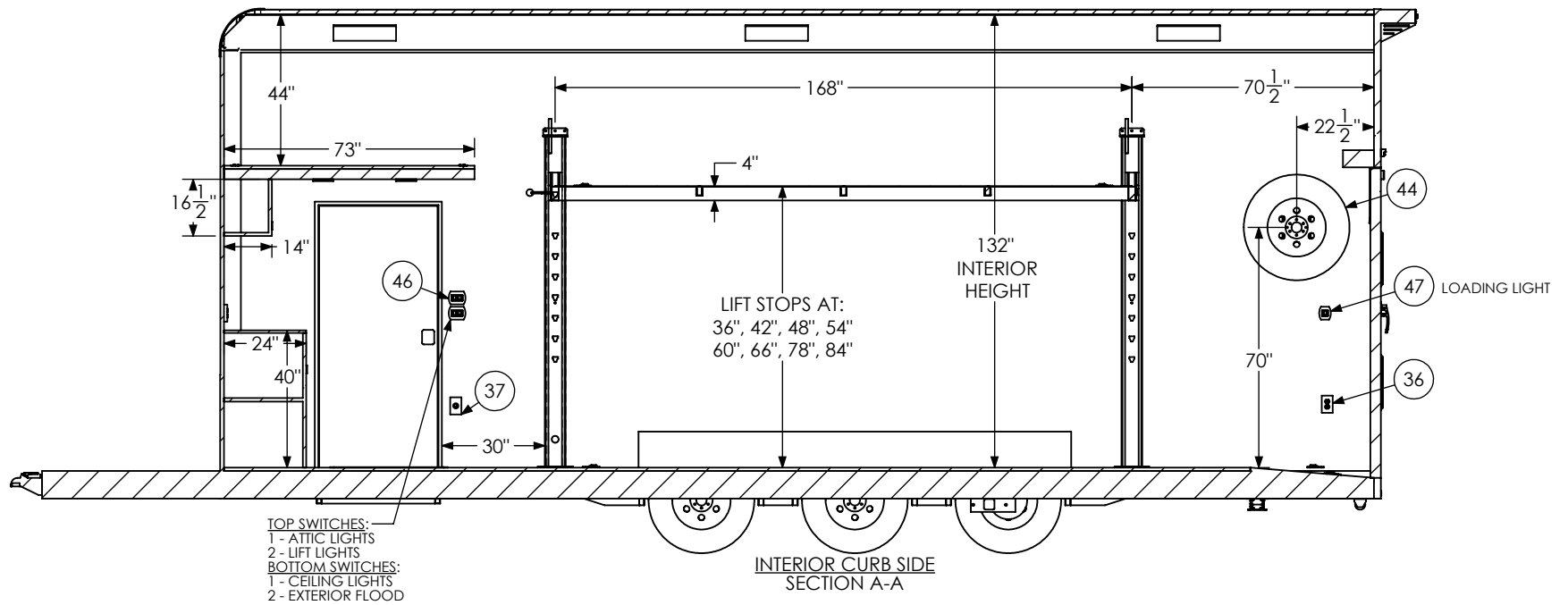
SECTION G-G

SCALE: 1:45	NAME	DATE
DRAWN	NjM	2/7/24

ALL DIMENSIONS ARE IN INCHES AND ARE NOMINAL. DIMENSIONS ON ACTUAL TRAILER MAY VARY FROM WHAT IS SHOWN ON PRINT BASED ON ACTUAL FRAMING AND TRAILER STRUCTURE. UNLESS NOTED AS CRITICAL

PROPRIETARY AND CONFIDENTIAL
THE INFORMATION CONTAINED IN THIS DRAWING IS THE SOLE PROPERTY OF INTECH TRAILERS. ANY REPRODUCTION IN PART OR AS A WHOLE WITHOUT THE WRITTEN PERMISSION OF INTECH TRAILERS IS PROHIBITED.

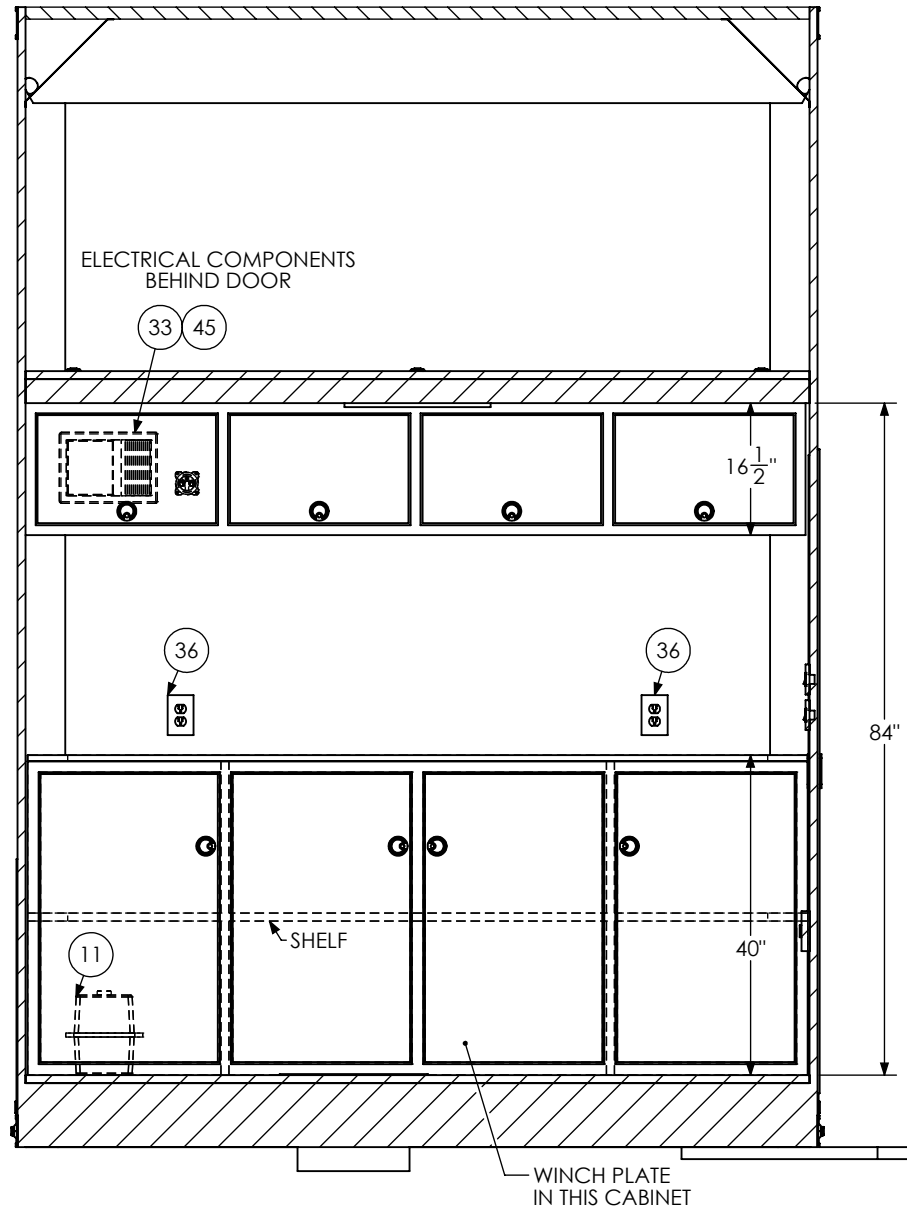
<i>inTech Trailers</i>		
inTech - Lite Stacker BSL8.5x28TTA4 - STANDARD FLOORPLAN		
DWG. NO. BSL8.5x28TTA Trailer Assembly - Standard	SHEET 2 OF 5	REV. C



PROPRIETARY AND CONFIDENTIAL
THE INFORMATION CONTAINED IN THIS DRAWING IS THE SOLE PROPERTY OF INTECH TRAILERS. ANY REPRODUCTION IN PART OR AS A WHOLE WITHOUT THE WRITTEN PERMISSION OF INTECH TRAILERS IS PROHIBITED.

SCALE: 1:50	NAME	DATE
DRAWN	NjM	2/7/24
ALL DIMENSIONS ARE IN INCHES AND ARE NOMINAL. DIMENSIONS ON ACTUAL TRAILER MAY VARY FROM WHAT IS SHOWN ON PRINT BASED ON ACTUAL FRAMING AND TRAILER STRUCTURE. UNLESS NOTED AS CRITICAL.		

inTech Trailers		
inTech - Lite Stacker BSL8.5x28TTA4 - STANDARD INTERIOR SIDES		
DWG. NO. BSL8.5x28TTA Trailer Assembly - Standard	SHEET 3 OF 5	REV. C



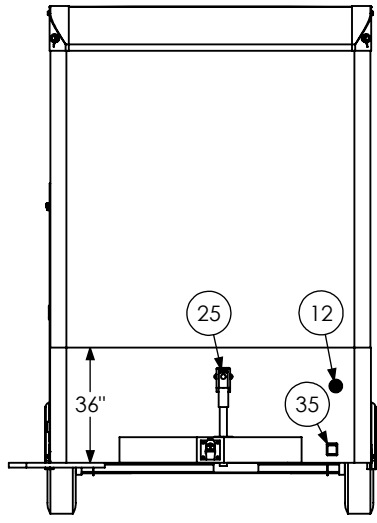
INTERIOR FRONT
SECTION C-C

PROPRIETARY AND CONFIDENTIAL
THE INFORMATION CONTAINED IN THIS DRAWING IS THE
SOLE PROPERTY OF INTECH TRAILERS. ANY REPRODUCTION
IN PART OR AS A WHOLE WITHOUT THE WRITTEN PERMISSION
OF INTECH TRAILERS IS PROHIBITED.

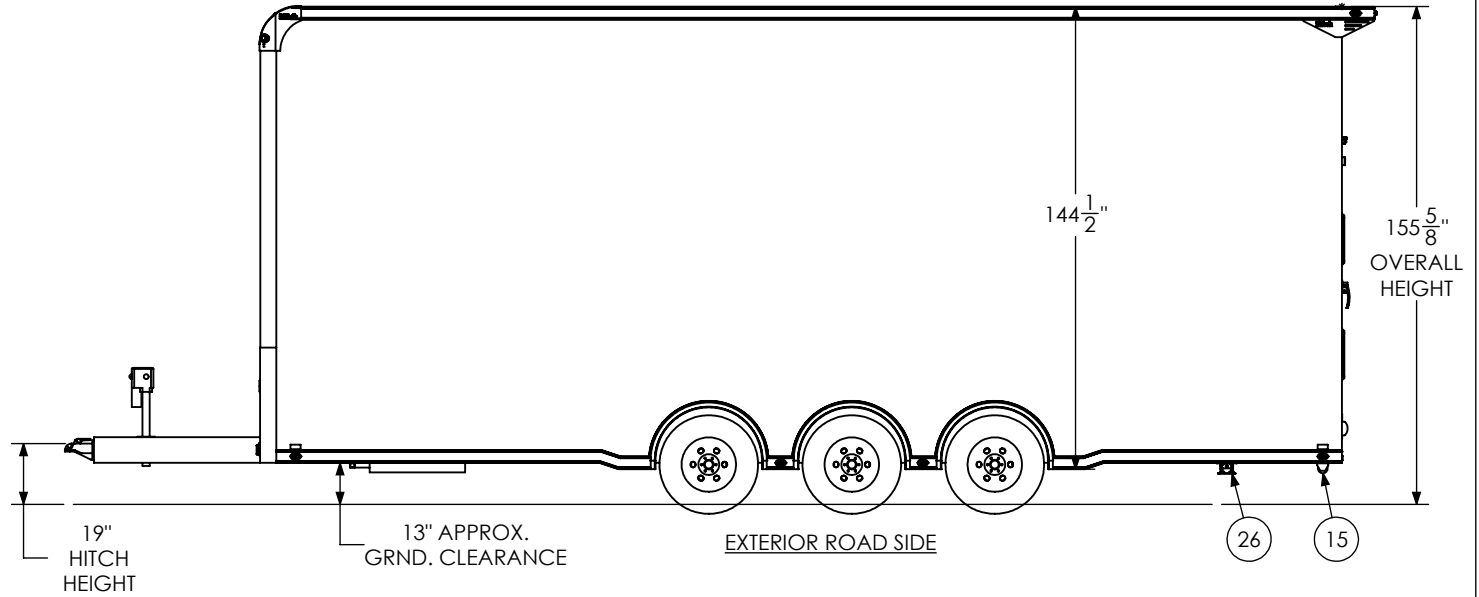
SCALE: 1:24	NAME	DATE
DRAWN	NjM	2/7/24

ALL DIMENSIONS ARE IN INCHES
AND ARE NOMINAL. DIMENSIONS
ON ACTUAL TRAILER MAY VARY
FROM WHAT IS SHOWN ON PRINT
BASED ON ACTUAL FRAMING AND
TRAILER STRUCTURE. UNLESS
NOTED AS CRITICAL

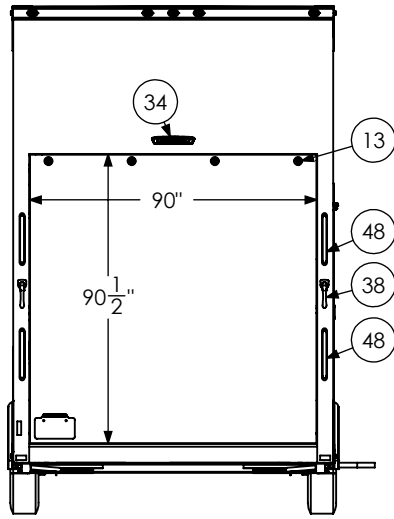
<i>inTech Trailers</i>		
inTech - Lite Stacker BSL8.5x28TTA4 - STANDARD INTERIOR FRONT		
DWG. NO. BSL8.5x28TTA Trailer Assembly - Standard	SHEET 4 OF 5	REV. C



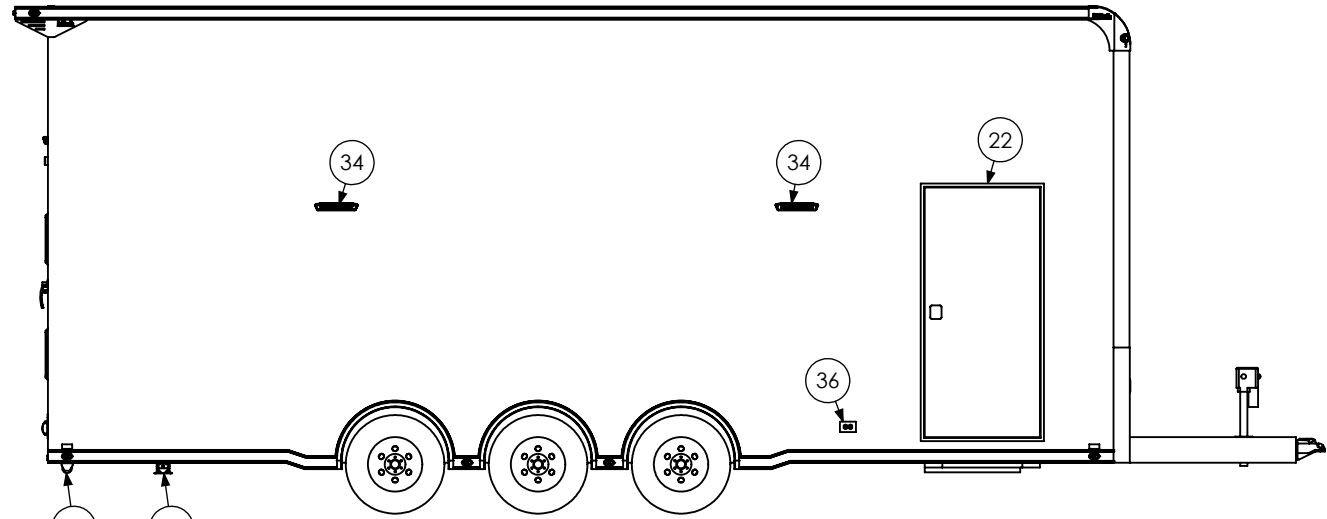
EXTERIOR FRONT



EXTERIOR ROAD SIDE



EXTERIOR REAR



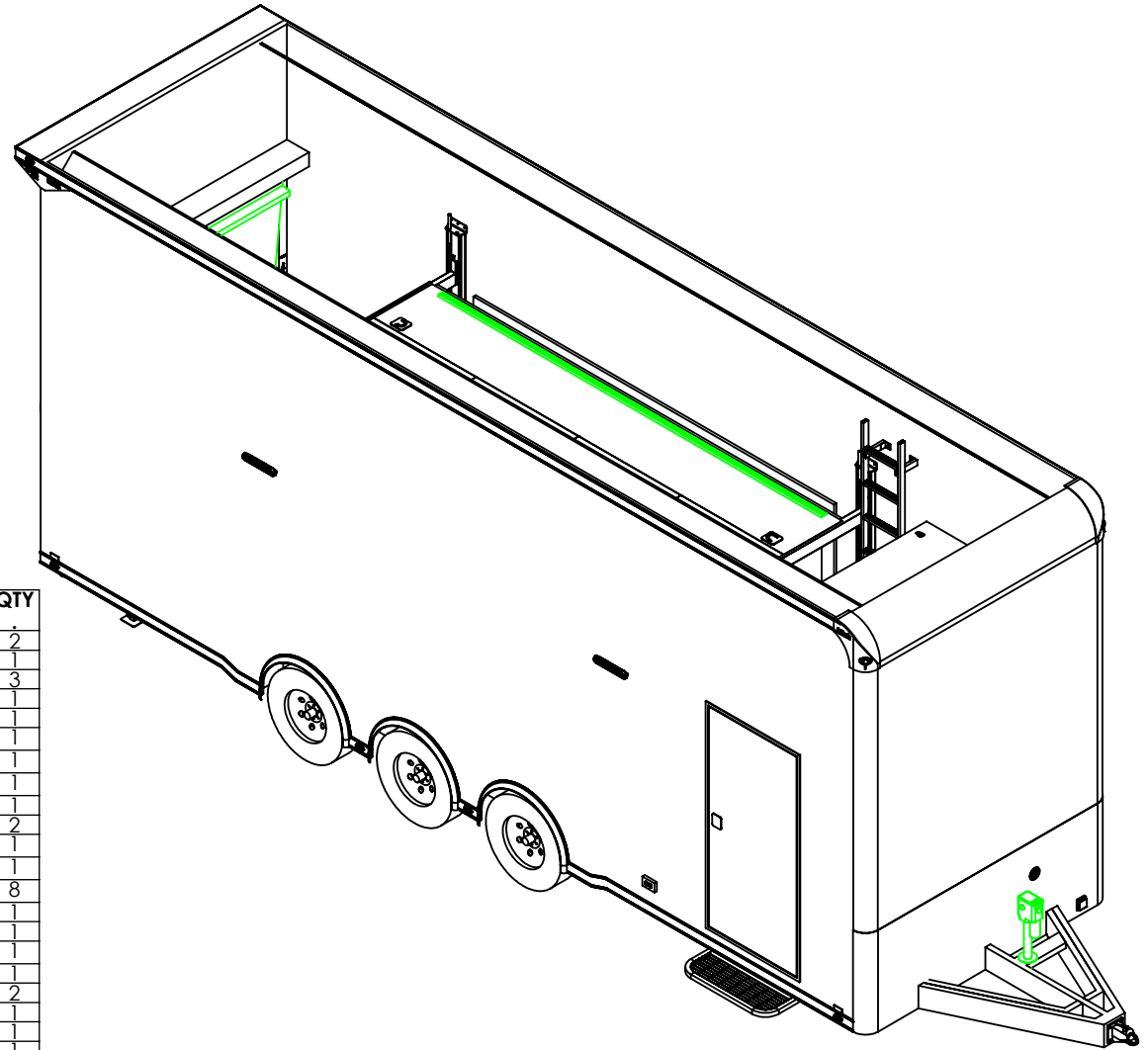
EXTERIOR CURB SIDE

PROPRIETARY AND CONFIDENTIAL
 THE INFORMATION CONTAINED IN THIS DRAWING IS THE SOLE PROPERTY OF INTECH TRAILERS. ANY REPRODUCTION IN PART OR AS A WHOLE WITHOUT THE WRITTEN PERMISSION OF INTECH TRAILERS IS PROHIBITED.

SCALE: 1:60	NAME	DATE
DRAWN	NjM	2/7/24

ALL DIMENSIONS ARE IN INCHES AND ARE NOMINAL. DIMENSIONS ON ACTUAL TRAILER MAY VARY FROM WHAT IS SHOWN ON PRINT BASED ON ACTUAL FRAMING AND TRAILER STRUCTURE, UNLESS NOTED AS CRITICAL.

<i>inTech Trailers</i>		
inTech - Lite Stacker BSL8.5x28TTA4 - STANDARD EXTERIOR		
DWG. NO. BSL8.5x28TTA Trailer Assembly - Standard	SHEET 5 OF 5	REV. C

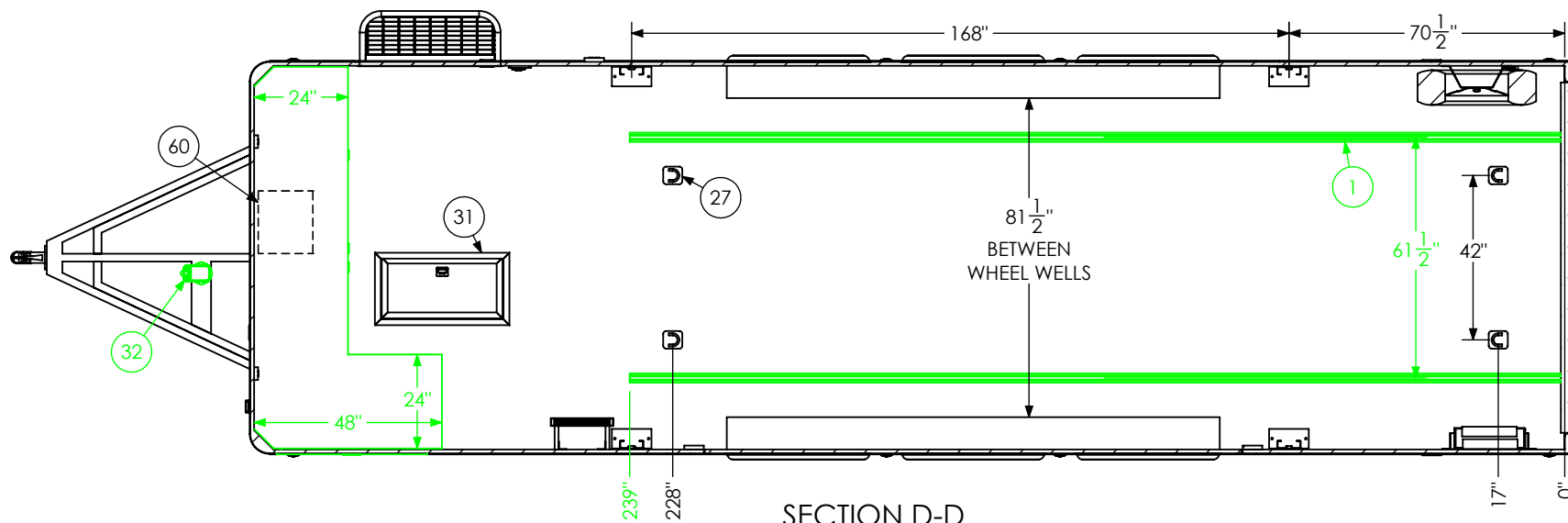
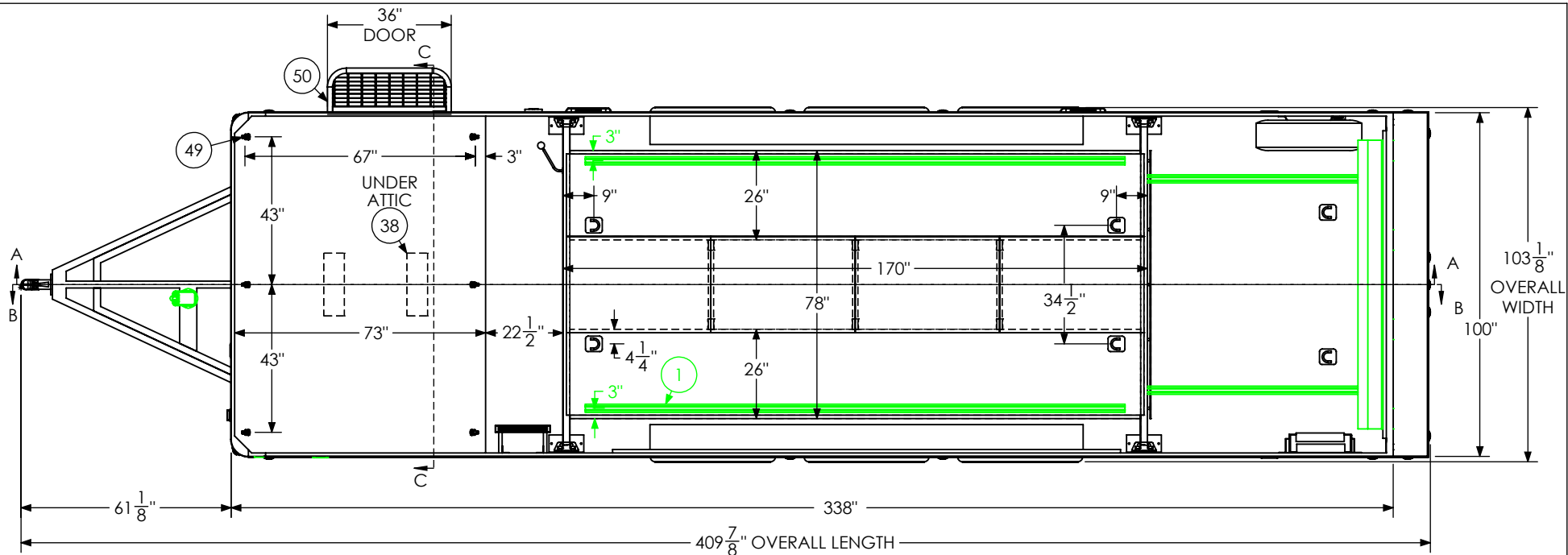


ITEM NO.	FILE NAME	DESCRIPTION	QTY
1	Airline Track		2
2	Aftic - BSL		1
3	Axle, Dexter	6000#, 22.5 UP, 93HF, 78AB T	3
15	BSL Cabinet, L-Base		1
16	BSL Cabinet, Overhead		1
17	Battery Box		1
18	Battery Vent		1
19	Bumpers	3"	1
20	Cast Corners		1
21	Caster Wheel		2
24	Coupler - Flat Nose	25K - Bulldog	1
26	Cover, Spring Assist		1
27	D-Ring	5,000	8
28	Door, Entrance	36" x 78"	1
29	Door, Generator	36" x 36"	1
31	In-Floor Compartment - Lite	Hydraulics Box (14"x30")	1
32	Jack, Power	4500#	1
33	Jack, Stabilizer		2
34	LICENSE PLATE BRACKET		1
35	Ladder - BSL	16" x 106"	1
36	Lift Assembly SS -BSL	14'	1
37	Lift Ramp Storage Assembly		1
38	Light	18" 12v LED	8
39	Light, License Plate		1
40	Load Center	30 Amp L/C - 60 Amp Conv	1
41	Loading Light - LED	13.7" 12V Loading Light	3
42	Motorbase Plug	30 Amp	1
43	Outlet	120V 20 Amp	4
44	Outlet	Lift Control Plug	1
45	Paddle Latch		2
46	Ramp Extension	48" x 84"	1
49	Rope Ring		6
50	Slide Out Step	36" Wide	1
51	Spare Tire Assembly		1
52	Switch	3 - 12V Switches	2
53	Switch	1 - 12V Switch	1
54	Switch	12v Cutoff	1
55	Tail Light	Slimline	4
56	Tire	ST235/80R16	6
60	Winch Plate		1

T:\SolidWorks CAD\BSL\BSL8.5x28TTA4\

PROPRIETARY AND CONFIDENTIAL
 THE INFORMATION CONTAINED IN THIS DRAWING IS THE SOLE PROPERTY OF INTECH TRAILERS. ANY REPRODUCTION IN PART OR AS A WHOLE WITHOUT THE WRITTEN PERMISSION OF INTECH TRAILERS IS PROHIBITED.

SCALE: 1:55	NAME	DATE	<i>inTech Trailers</i> inTech - Lite Stacker BSL8.5x28TTA4 OPTIONS BOM		
DRAWN	NjM	2/7/24			
ALL DIMENSIONS ARE IN INCHES AND ARE NOMINAL. DIMENSIONS ON ACTUAL TRAILER MAY VARY FROM WHAT IS SHOWN ON PRINT BASED ON ACTUAL FRAMING AND TRAILER STRUCTURE. UNLESS NOTED AS CRITICAL.			DWG. NO.	SHEET 1 OF 5	REV.
			BSL8.5x28TTA Trailer Assembly - Option	C	



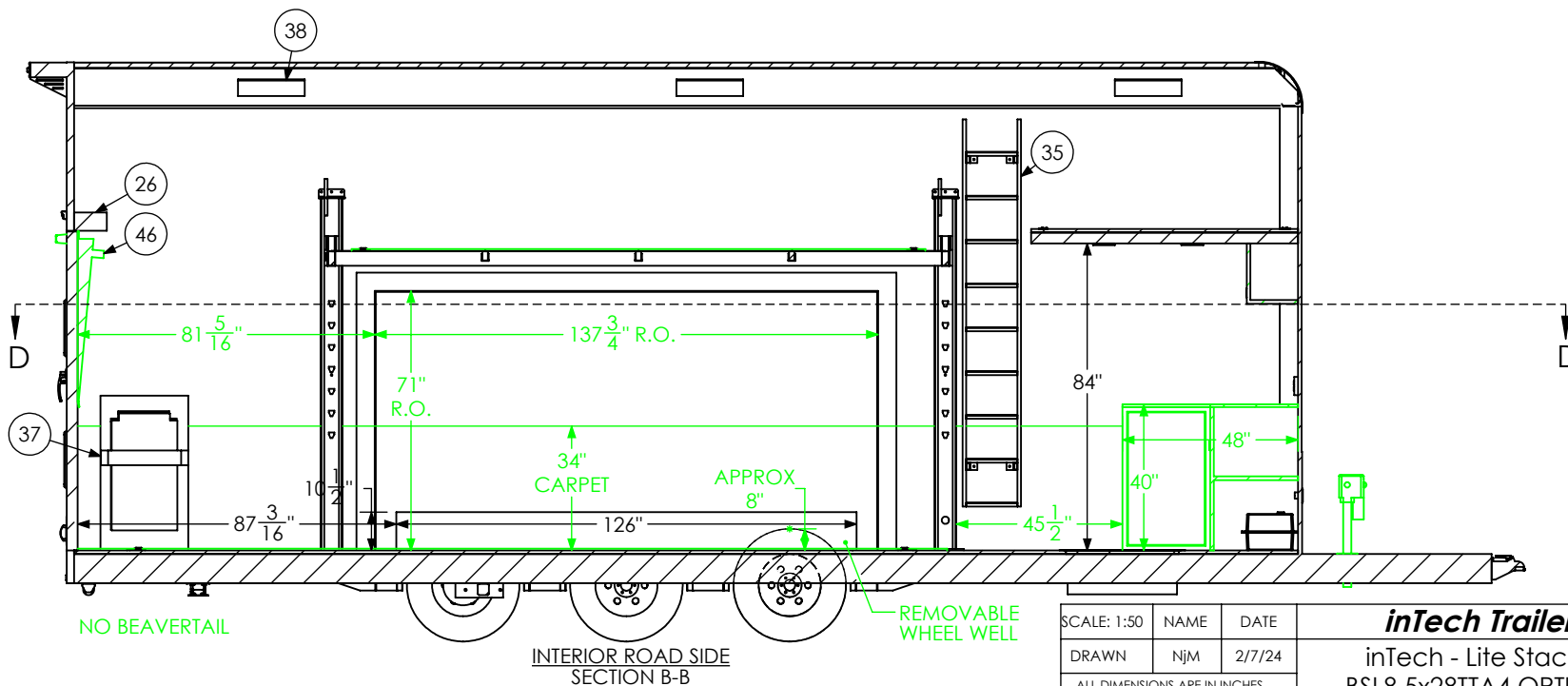
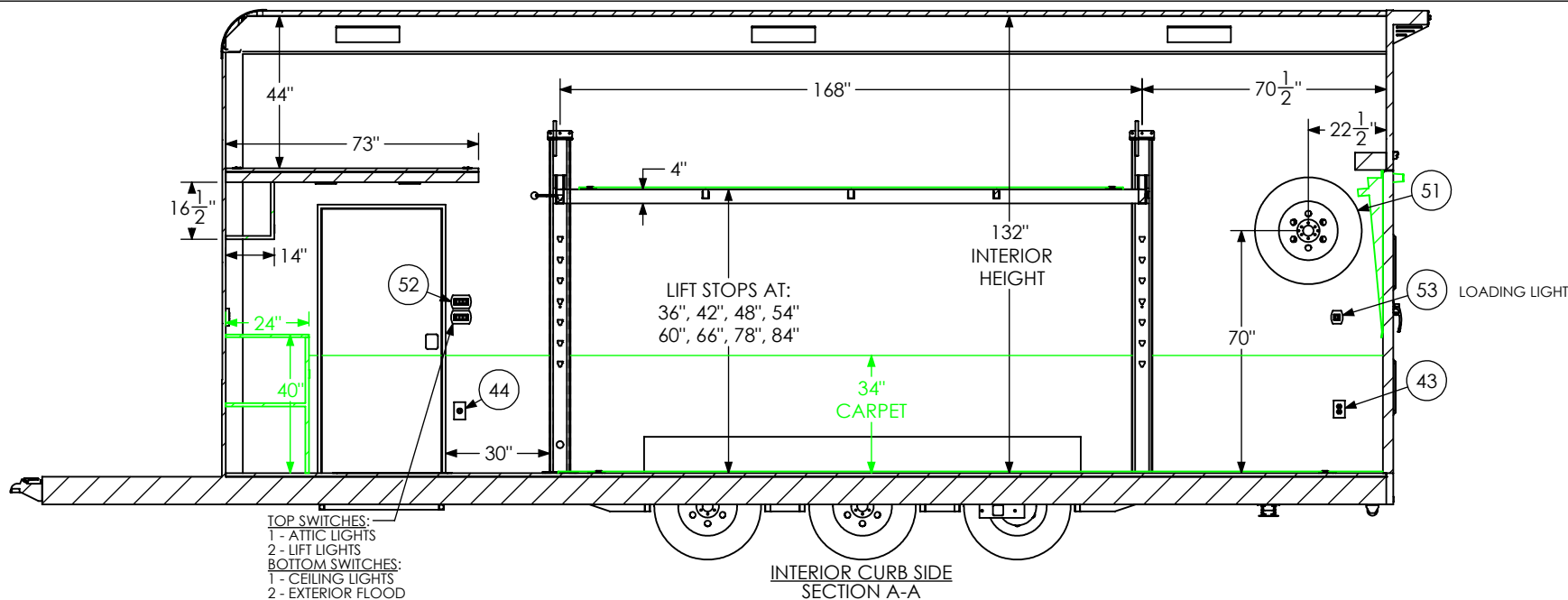
SECTION D-D

SCALE: 1:45	NAME	DATE
DRAWN	NjM	2/7/24

ALL DIMENSIONS ARE IN INCHES AND ARE NOMINAL. DIMENSIONS ON ACTUAL TRAILER MAY VARY FROM WHAT IS SHOWN ON PRINT BASED ON ACTUAL FRAMING AND TRAILER STRUCTURE. UNLESS NOTED AS CRITICAL

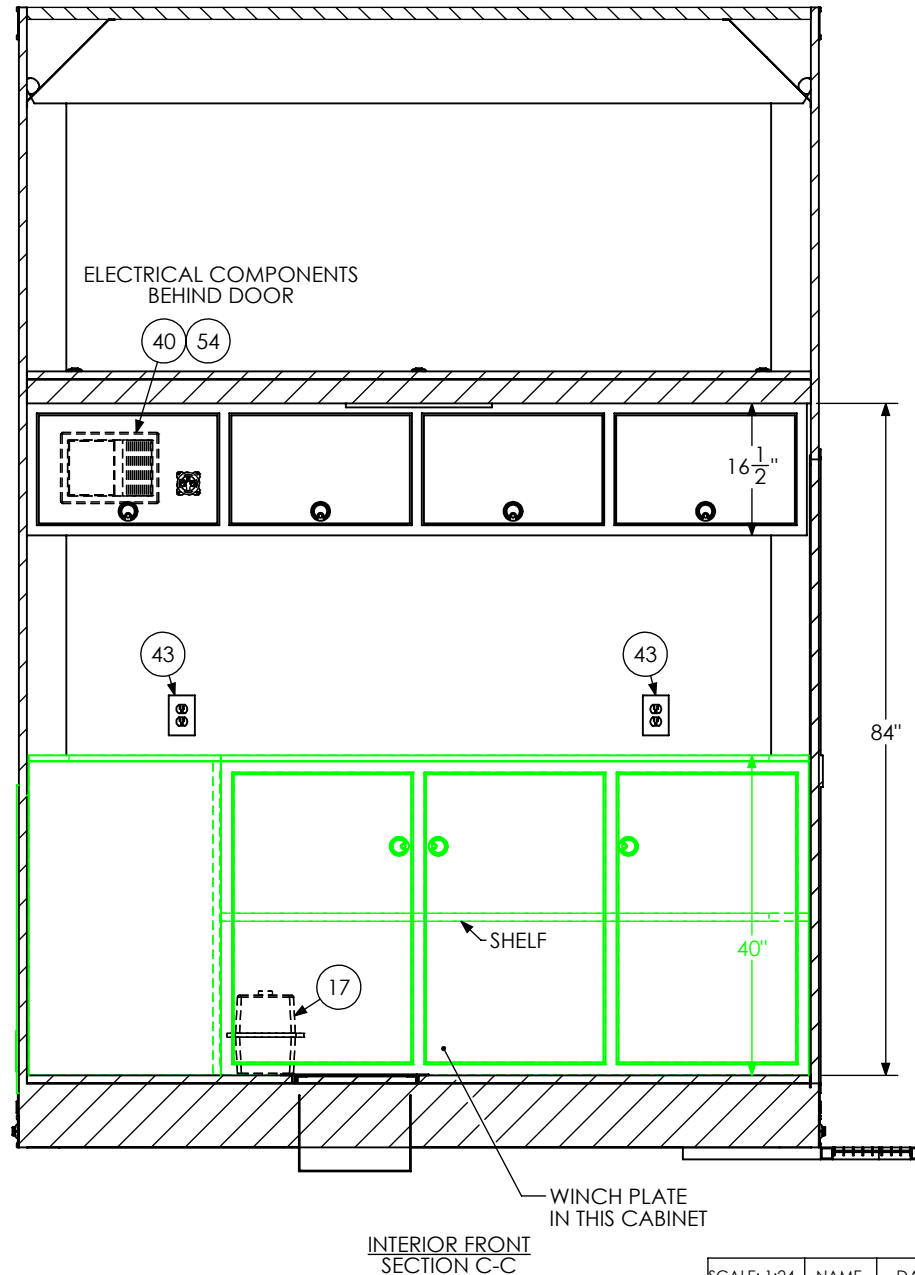
PROPRIETARY AND CONFIDENTIAL
THE INFORMATION CONTAINED IN THIS DRAWING IS THE SOLE PROPERTY OF INTECH TRAILERS. ANY REPRODUCTION IN PART OR AS A WHOLE WITHOUT THE WRITTEN PERMISSION OF INTECH TRAILERS IS PROHIBITED.

<i>inTech Trailers</i>		
inTech - Lite Stacker BSL8.5x28TTA4 OPTIONS FLOORPLAN		
DWG. NO. BSL8.5x28TTA Trailer Assembly - Option	SHEET 2 OF 5	REV. C



SCALE: 1:50	NAME	DATE	<i>inTech Trailers</i>	
DRAWN	NjM	2/7/24	inTech - Lite Stacker BSL8.5x28TTA4 OPTIONS INTERIOR SIDES	
ALL DIMENSIONS ARE IN INCHES AND ARE NOMINAL. DIMENSIONS ON ACTUAL TRAILER MAY VARY FROM WHAT IS SHOWN ON PRINT BASED ON ACTUAL FRAMING AND TRAILER STRUCTURE. UNLESS NOTED AS CRITICAL			DWG. NO. BSL8.5x28TTA Trailer Assembly - Option	SHEET 3 OF 5 REV. C

PROPRIETARY AND CONFIDENTIAL
THE INFORMATION CONTAINED IN THIS DRAWING IS THE SOLE PROPERTY OF INTECH TRAILERS. ANY REPRODUCTION IN PART OR AS A WHOLE WITHOUT THE WRITTEN PERMISSION OF INTECH TRAILERS IS PROHIBITED.



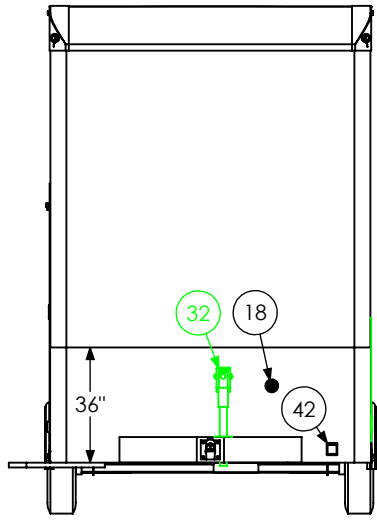
INTERIOR FRONT
SECTION C-C

PROPRIETARY AND CONFIDENTIAL
THE INFORMATION CONTAINED IN THIS DRAWING IS THE SOLE PROPERTY OF INTECH TRAILERS. ANY REPRODUCTION IN PART OR AS A WHOLE WITHOUT THE WRITTEN PERMISSION OF INTECH TRAILERS IS PROHIBITED.

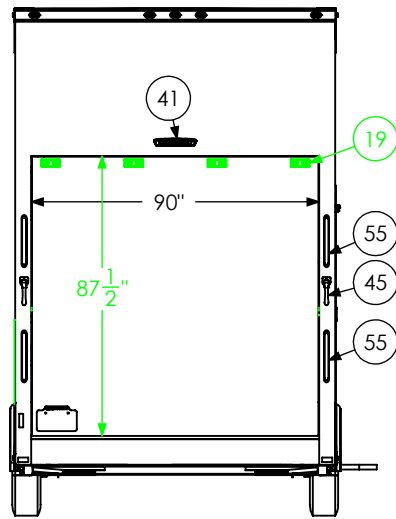
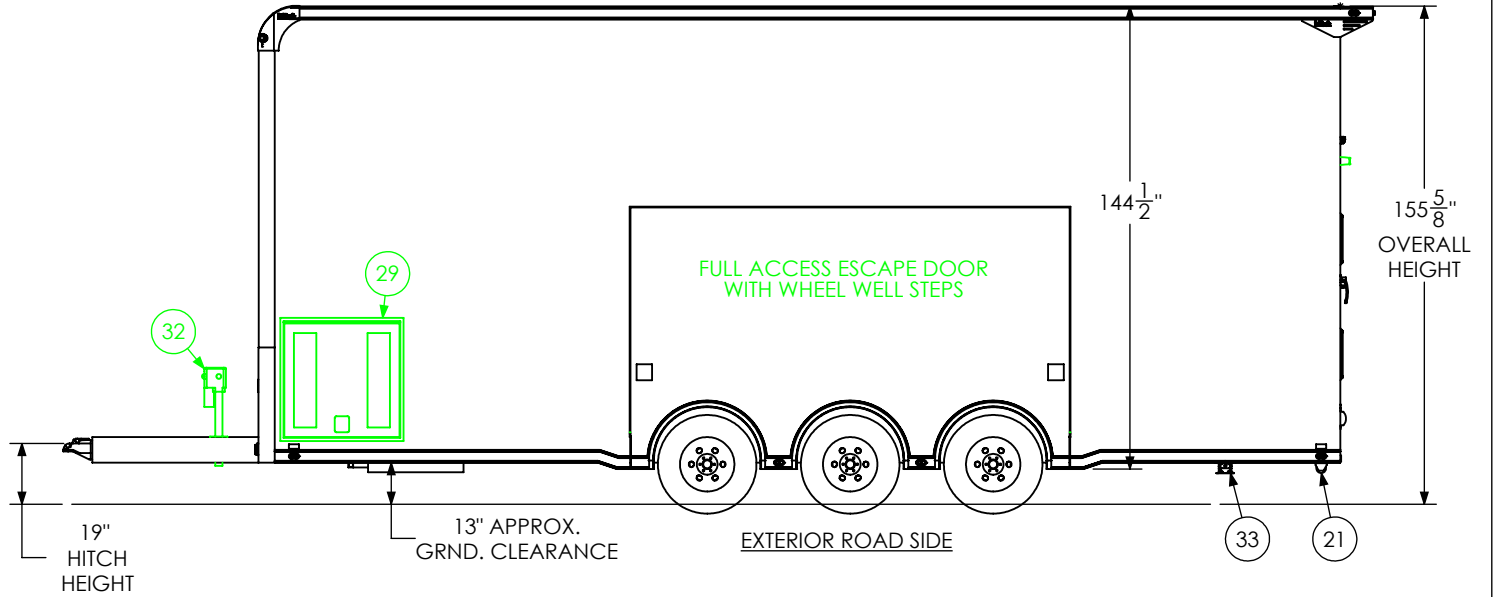
SCALE: 1:24	NAME	DATE
DRAWN	NjM	2/7/24

ALL DIMENSIONS ARE IN INCHES AND ARE NOMINAL. DIMENSIONS ON ACTUAL TRAILER MAY VARY FROM WHAT IS SHOWN ON PRINT BASED ON ACTUAL FRAMING AND TRAILER STRUCTURE, UNLESS NOTED AS CRITICAL

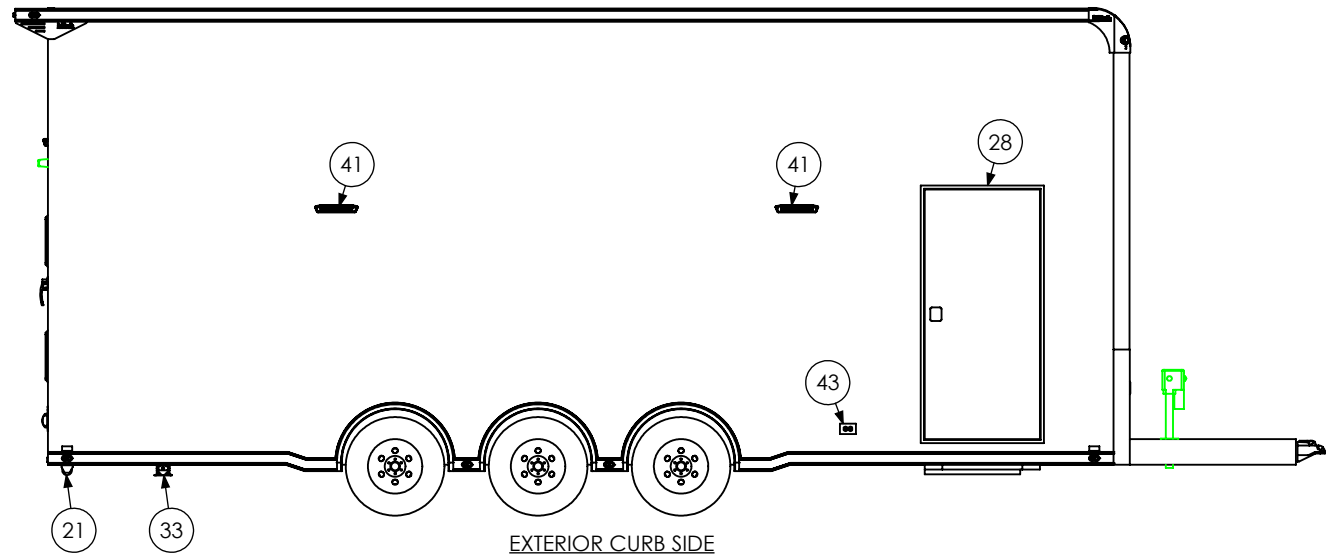
<i>inTech Trailers</i>		
inTech - Lite Stacker BSL8.5x28TTA4 OPTIONS INTERIOR FRONT		
DWG. NO. BSL8.5x28TTA Trailer Assembly - Option	SHEET 4 OF 5	REV. C



EXTERIOR FRONT



EXTERIOR REAR



SCALE: 1:60 NAME DATE

DRAWN NjM 2/7/24

ALL DIMENSIONS ARE IN INCHES AND ARE NOMINAL. DIMENSIONS ON ACTUAL TRAILER MAY VARY FROM WHAT IS SHOWN ON PRINT BASED ON ACTUAL FRAMING AND TRAILER STRUCTURE. UNLESS NOTED AS CRITICAL

PROPRIETARY AND CONFIDENTIAL
 THE INFORMATION CONTAINED IN THIS DRAWING IS THE SOLE PROPERTY OF INTECH TRAILERS. ANY REPRODUCTION IN PART OR AS A WHOLE WITHOUT THE WRITTEN PERMISSION OF INTECH TRAILERS IS PROHIBITED.

<i>inTech Trailers</i>		
inTech - Lite Stacker BSL8.5x28TTA4 OPTIONS EXTERIOR		
DWG. NO. BSL8.5x28TTA Trailer Assembly - Option	SHEET 5 OF 5	REV. C